



CLASSEQ LTD

# Spares manual

---

**P500 A**

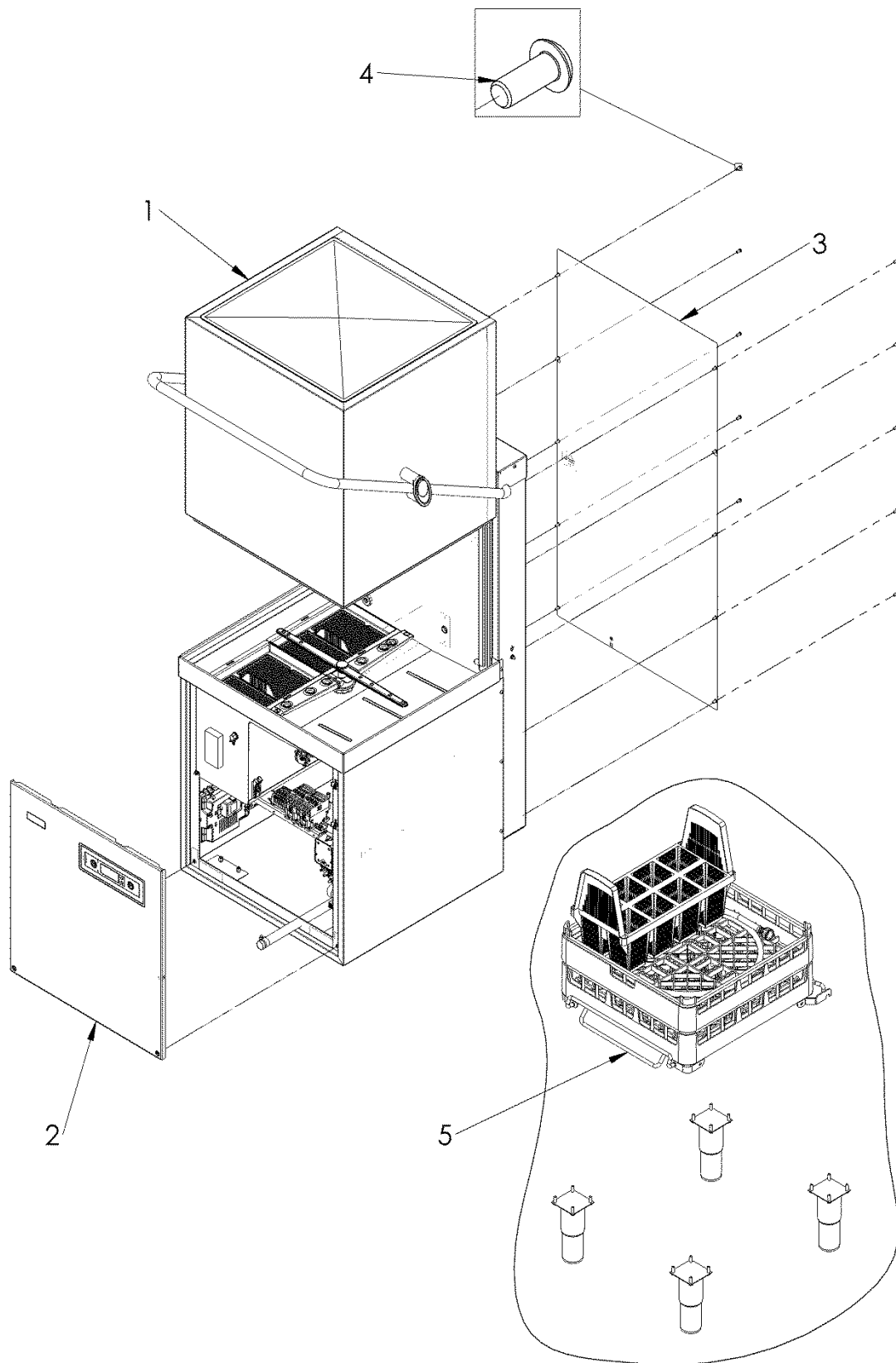
**YR2020 WK11**



## Table of contents for YR2020 WK11

|     |  |    |
|-----|--|----|
| 1.  | Machine assembly.....                    | 3  |
| 2.  | Front panel assembly .....               | 5  |
| 3.  | Frame Assembly .....                     | 7  |
| 4.  | Base Assembly.....                       | 9  |
| 5.  | Hood Mechanism assembly .....            | 11 |
| 6.  | Hood Assembly .....                      | 13 |
| 7.  | Fill System Std Airbreak .....           | 15 |
| 8.  | 6kW - Boiler assembly.....               | 17 |
| 9.  | 8.64kW - Boiler assembly.....            | 19 |
| 10. | Air Gap assembly.....                    | 21 |
| 11. | Rinse pump assembly PT.....              | 23 |
| 12. | Wash and Rinse system .....              | 25 |
| 13. | Wash pump assembly .....                 | 27 |
| 14. | Wash Boss assembly (30013519).....       | 29 |
| 15. | Kit Rotary arms Washing (60003520) ..... | 31 |
| 16. | Top manifold assembly .....              | 33 |
| 17. | Top manifold .....                       | 35 |
| 18. | Center boss assembly .....               | 37 |
| 19. | Drain System .....                       | 39 |
| 20. | Kit Sump Drain .....                     | 41 |
| 21. | Kit Lock Nut .....                       | 43 |
| 22. | Control Unit STD.....                    | 45 |
| 23. | Centre Rail Assembly STD .....           | 47 |
| 24. | Rinse aid pump assembly (30015061) ..... | 49 |
| 25. | Detergent pump assembly (30015060) ..... | 51 |
| 26. | Electrical Assembly STD .....            | 53 |
| 27. | Cable Accessories.....                   | 55 |
| 28. | Accessories.....                         | 57 |
| 29. | Dishwasher accessories .....             | 58 |
| 30. | Mains cable .....                        | 58 |

# 1. Machine assembly

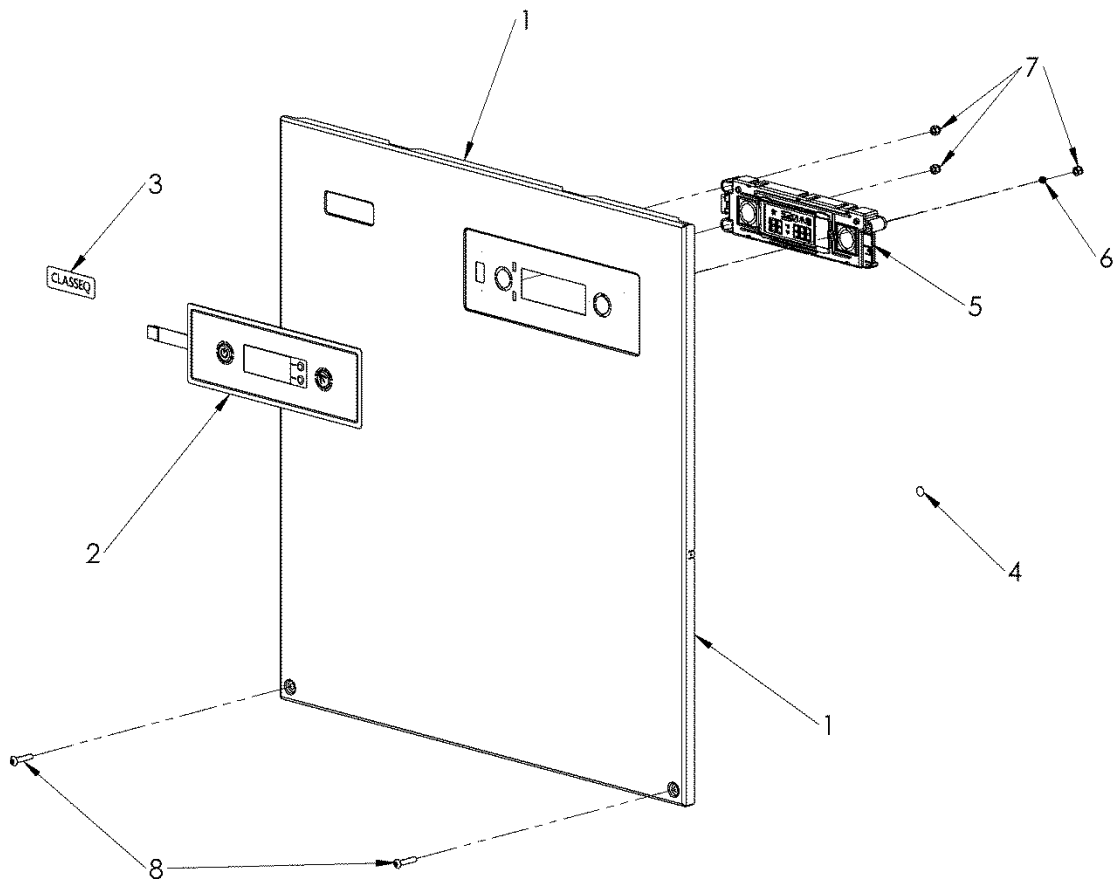


30015041-A

## 1. Machine assembly - BOM

| Item | Description                          | Part number | QTY. | Note      |
|------|--------------------------------------|-------------|------|-----------|
| 1    | PT Frame Assembly Std. Airbreak      |             | 1    |           |
| 2    | Front panel Assembly - PT            | 30015021    | 1    |           |
| 3    | Rear Panel Assembly - PT             | 30015022    | 1    |           |
| 4    | M5 x 12 Hex socket button head screw | 30006300    | 10   |           |
| 5    | PT - Accessories                     |             | 1    |           |
| 6    | PT - Mains Cables                    |             | 1    | Not shown |

## 2. Front panel assembly

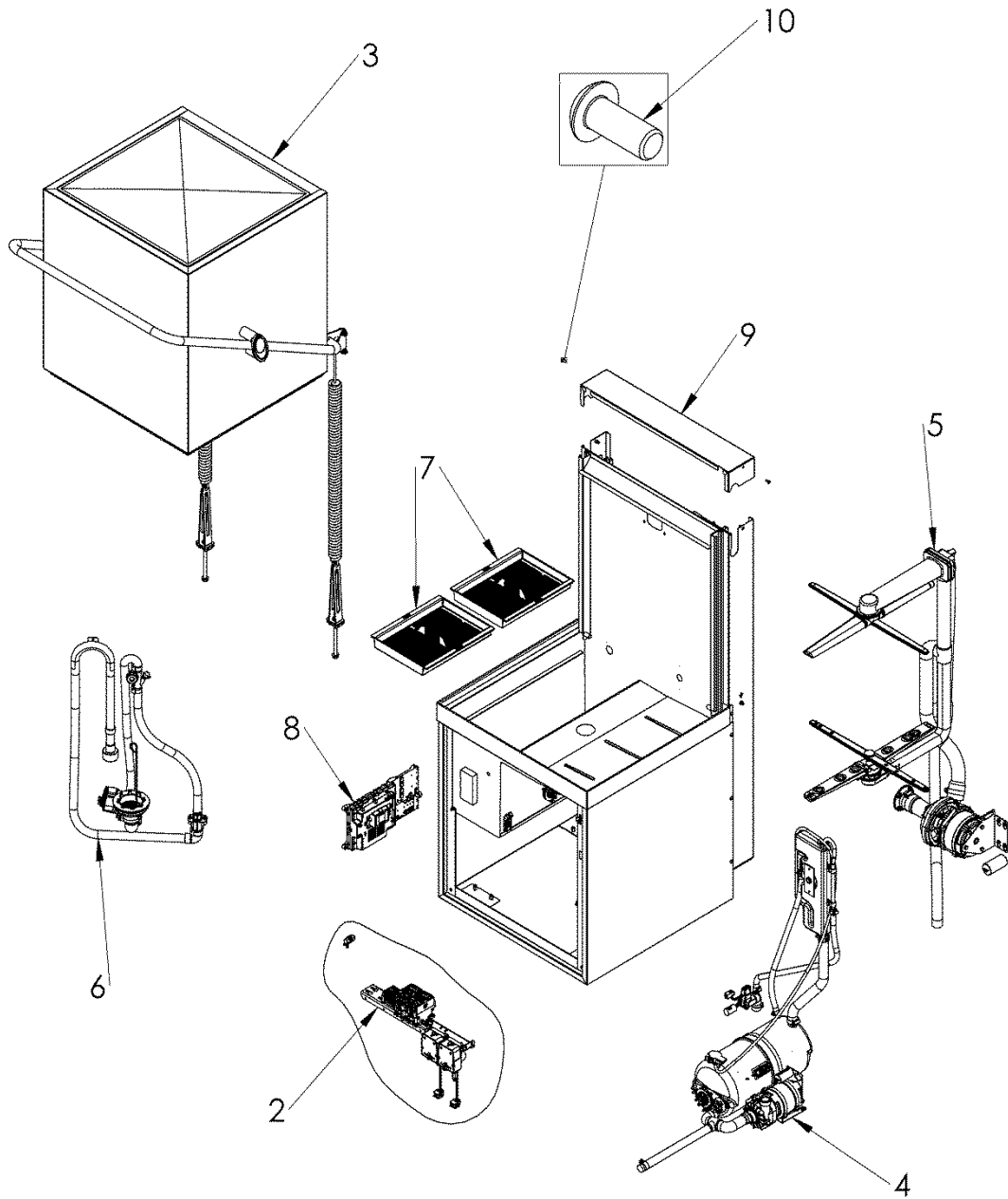


30015021-A

## 2. Front Panel assembly – BOM

| Item | Description                     | Part number | QTY. | Note                     |
|------|---------------------------------|-------------|------|--------------------------|
| 1    | Front panel PT                  | 30014754    | 1    |                          |
| 2    | Keypad Kit                      | 30013512    | 1    |                          |
| 3    | CLASSEQ badge                   |             | 1    | Not available as a spare |
| 4    | Earth Sticker - Removable Parts |             | 1    |                          |
| 5    | Premium UI assembly             | 30011403    | 1    |                          |
| 6    | M3 Thin Nylock nut (ISO 10511)  | 30001051    | 1    |                          |
| 7    | M5 Thin Nylock nut (ISO 10511)  | 30006274    | 3    |                          |
| 8    | M5x25mm Button Head screw       | 30014525    | 2    |                          |

### 3. Frame Assembly



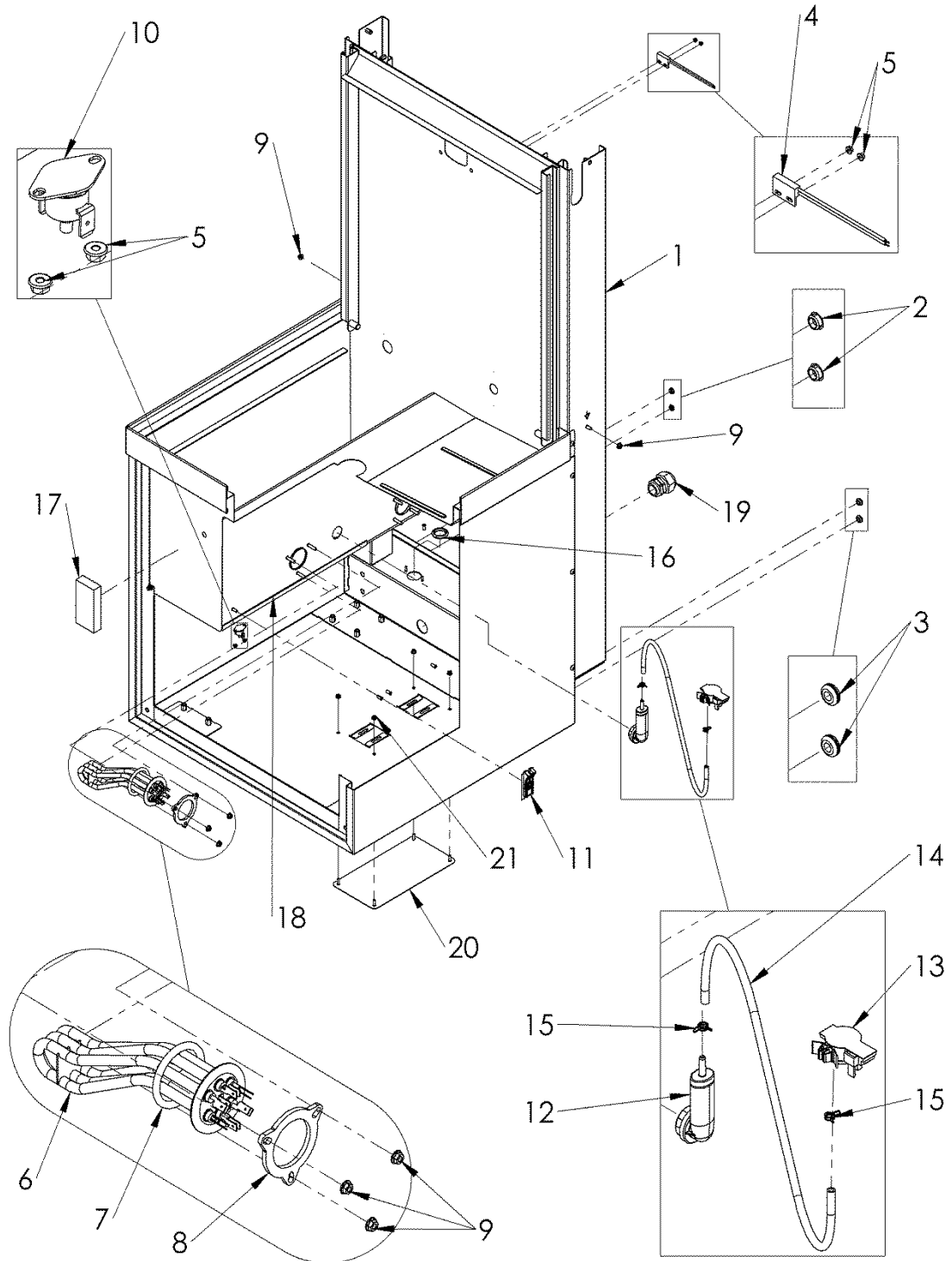
30015034-A



### 3. Frame Assembly – BOM

| Item | Description                          | Part number | QTY. | Note |
|------|--------------------------------------|-------------|------|------|
| 1    | Base Assembly PT                     |             | 1    |      |
| 2    | Centre Rail Assembly - STD           |             | 1    |      |
| 3    | Hood Mechanism Assembly              |             | 1    |      |
| 4    | PT_Fill System AB                    |             | 1    |      |
| 5    | Wash & Rinse System                  |             | 1    |      |
| 6    | Drain System STD                     |             | 1    |      |
| 7    | Filter assembly PT                   | 30014228    | 2    |      |
| 8    | Control unit Standard                | 30015008    | 1    |      |
| 9    | Top Rear cover                       | 30014750    | 1    |      |
| 10   | M5 x 12 Hex socket button head screw | 30006300    | 2    |      |

## 4. Base Assembly

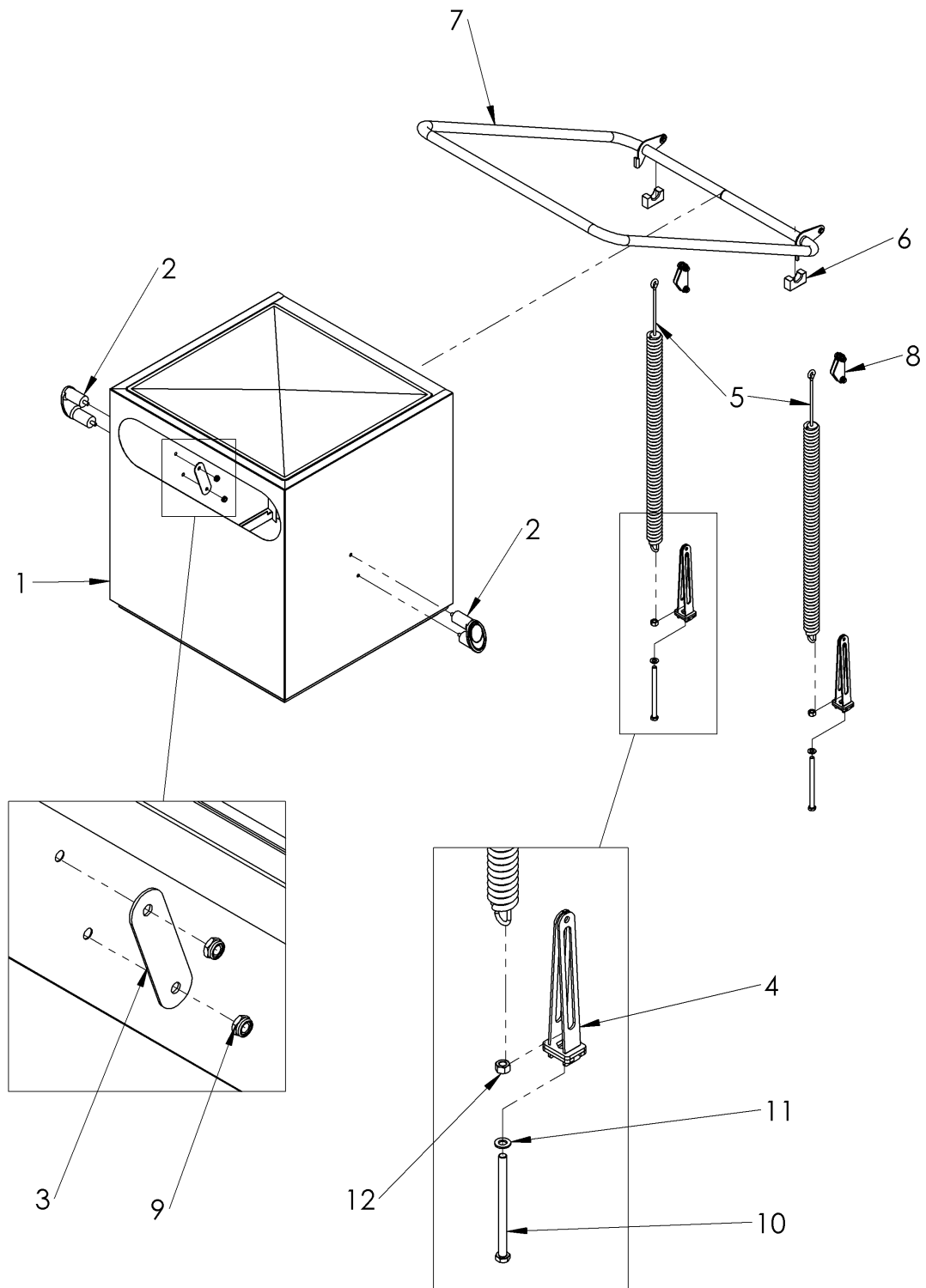


30015029-A

#### 4. Base Assembly – BOM

| Item | Description                       | Part number | QTY. | Note |
|------|-----------------------------------|-------------|------|------|
| 1    | Base Steel Assembly               |             | 1    |      |
| 2    | Cap Chemical Tube Hole            | 30002143    | 2    |      |
| 3    | Chemical tube grommet             | 30002141    | 2    |      |
| 4    | Crimped proximity switch assembly | 30000980    | 1    |      |
| 5    | M3 Flange nut (DIN 6923)          | 30001171    | 4    |      |
| 6    | 4.05 kW Element - No phile        | 30013218    | 1    |      |
| 7    | O-Ring - Ø46 x Ø6                 | 30000947    | 1    |      |
| 8    | Bracket - rinse element           | 117003      | 1    |      |
| 9    | M5 Flange nut (DIN 6923)          | 30001186    | 5    |      |
| 10   | Overheat stat 1 Pole 85°C         | 30007917    | 1    |      |
| 11   | Kit thermo sensor                 | 30002179    | 1    |      |
| 12   | Kit air pressure chamber          | 60003525    | 1    |      |
| 13   | Pressure sensor                   | 3126044     | 1    |      |
| 14   | Wash APS Tube - 350 / PT          | 30014329    | 1    |      |
| 15   | Spring clip - Ø8.8mm to Ø9.3mm    | 30011994    | 2    |      |
| 16   | 28mm Blanking Grommet             | 30014828    | 1    |      |
| 17   | Foam Pad Rectangular              | 30013499    | 1    |      |
| 18   | 350mm Foam seal                   | 30011634    | 1    |      |
| 19   | Cable Gland                       | 3110153     | 1    |      |
| 20   | Vermin Plate                      | 30001836    | 1    |      |
| 21   | M4 Flange nut (DIN 6923)          | 30006237    | 4    |      |

## 5. Hood Mechanism assembly

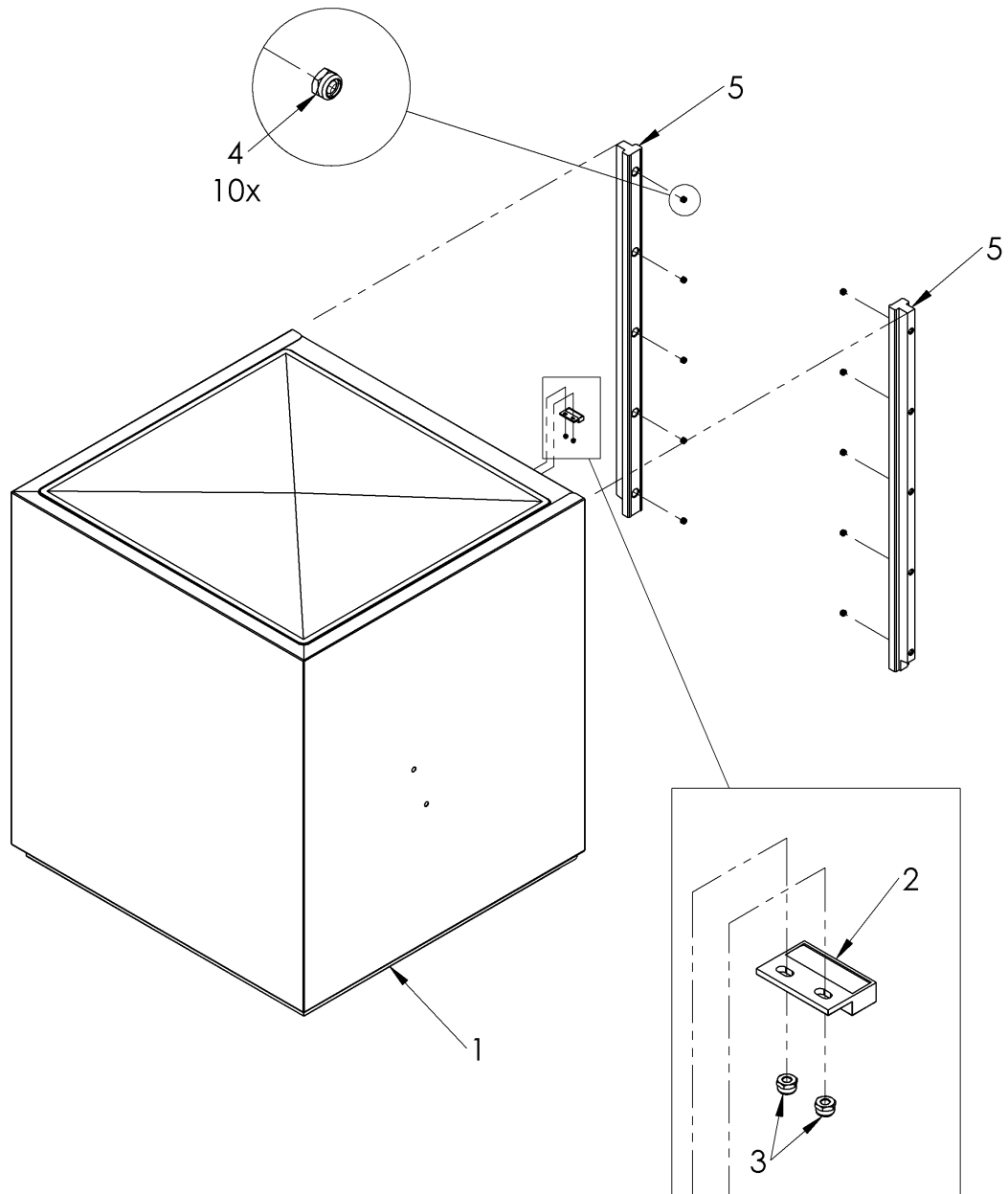


30015025-A

## 5. Hood Mechanism assembly – BOM

| Item | Description                   | Part number | QTY. | Note |
|------|-------------------------------|-------------|------|------|
| 1    | SW_PT_Hood Assembly           | 30015053    | 1    |      |
| 2    | Handle guide                  | 30001205    | 2    |      |
| 3    | Handle Guild Support Plate    | 30001206    | 2    |      |
| 4    | SW_PT_Spring Bracket Assembly | 30015057    | 2    |      |
| 5    | Hood Spring                   | 61006603    | 2    |      |
| 6    | PT_Handle Bearing             | 30015055    | 2    |      |
| 7    | SW_PT_Handle Bar Assembly     | 30015056    | 1    |      |
| 8    | Arm Spring Bracket            | 30001173    | 2    |      |
| 9    | M8 Nylock nut (ISO 10511)     | 30006270    | 4    |      |
| 10   | M10x150 Hex Bolt              | 30015028    | 2    |      |
| 11   | M10 Plain Washer              | 30015027    | 2    |      |
| 12   | M10 Hex nut (DIN 934)         | 2101306     | 2    |      |

## 6. Hood Assembly

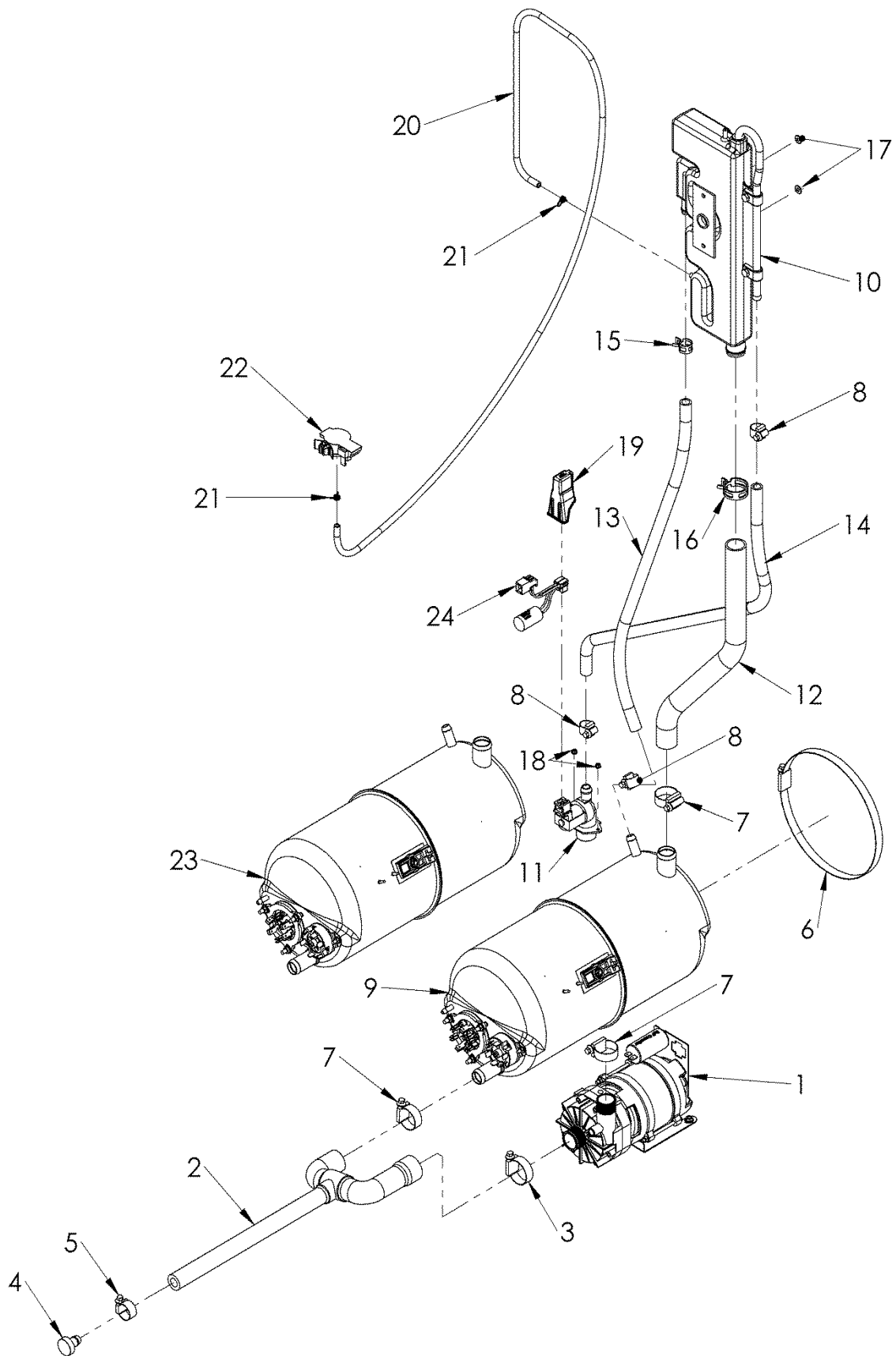


30015053-A

## 6. Hood assembly – BOM

| Item | Description                    | Part number | QTY. | Note |
|------|--------------------------------|-------------|------|------|
| 1    | Hood steel assembly            | 30015026    | 1    |      |
| 2    | Door magnet                    | 30000981    | 1    |      |
| 3    | M3 Thin Nylock nut (ISO 10511) | 30001051    | 2    |      |
| 4    | M5 Thin Nylock nut (ISO 10511) | 30006274    | 10   |      |
| 5    | PT- Hood Runner                | 30015054    | 2    |      |

## 7. Fill System Std Airbreak



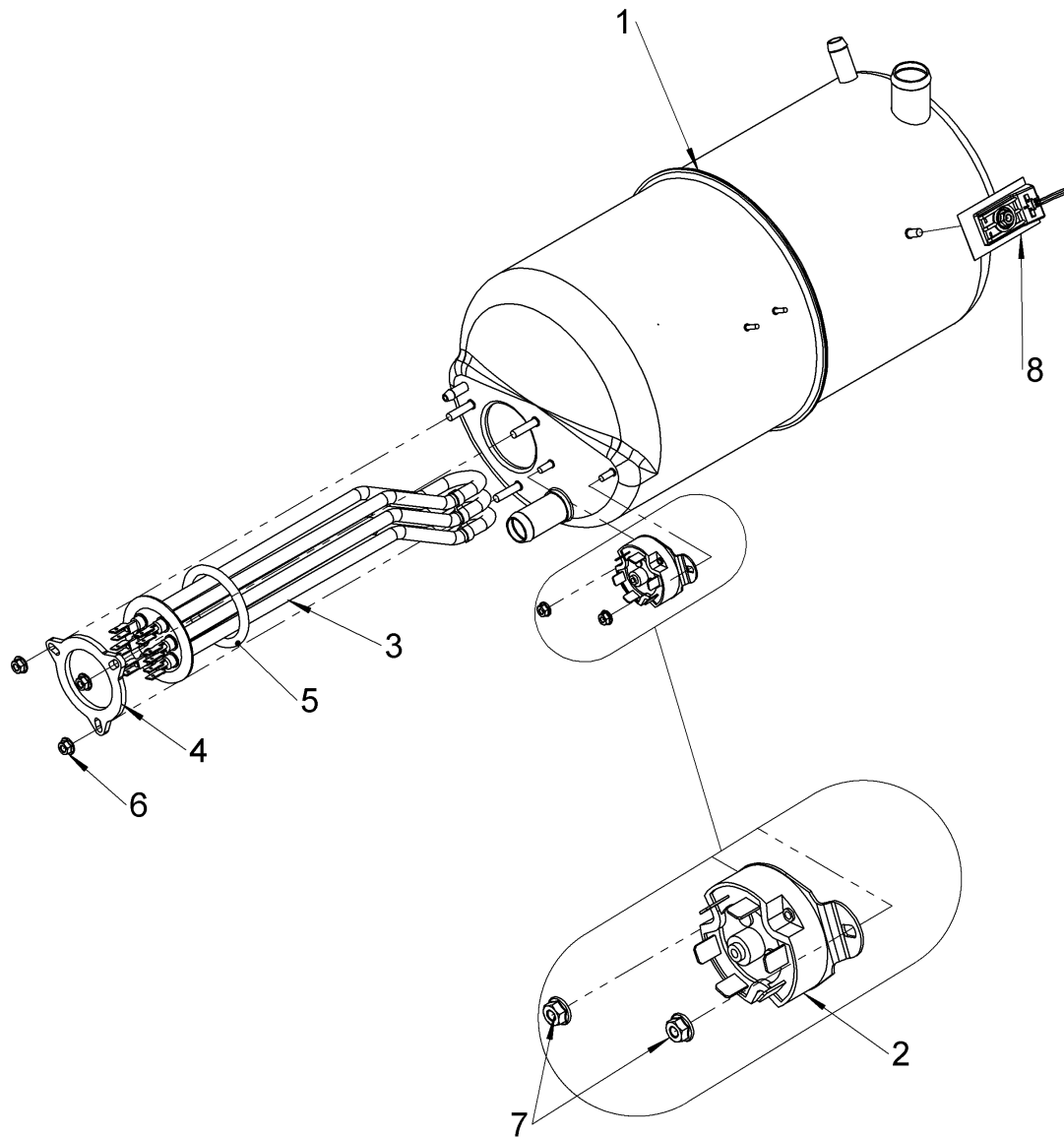
30015007-A



## 7. Fill System Std Airbreak – BOM

| Item | Description                               | Part number | QTY. | Note |
|------|---|-------------|------|------|
| 1    | Rinse Pump Assembly - PT                  | 30015006    | 1    |      |
| 2    | Rinse pump inlet hose - 500mm             | 30011741    | 1    |      |
| 3    | Sp. Jubilee Clip - 25mm to 40mm           | 30013293    | 1    |      |
| 4    | Tube plug                                 | 70007962    | 1    |      |
| 5    | Jubilee Clip - 12mm to 22mm               | 30001088    | 1    |      |
| 6    | Jubilee clip - 160mm - 180mm              | 30001113    | 1    |      |
| 7    | Jubilee Clip -25mm to 40mm                | 30001089    | 3    |      |
| 8    | Jubilee Clip - 12mm to 22mm               | 30001088    | 3    |      |
| 9    | Rinse boiler assembly - 7.5L - 6kW        | 30011798    | 1    |      |
| 10   | Air gap assembly                          | 30011815    | 1    |      |
| 11   | Solenoid valve - RAST 5 - 4L/min          | 3106210     | 1    |      |
| 12   | AB Fill Hose - PT 2020                    | 30014823    | 1    |      |
| 13   | WS Port 2 to WS AB Port 2 hose - 500mm WS | 30006048    | 1    |      |
| 14   | AB ISV White Hose - PT 2020               | 30014824    | 1    |      |
| 15   | Spring band - Ø16mm                       | 30008920    | 1    |      |
| 16   | Spring band - Ø30mm                       | 30002578    | 1    |      |
| 17   | M5 Flange nut (DIN 6923)                  | 30001186    | 2    |      |
| 18   | M3 Flange nut (DIN 6923)                  | 30001171    | 2    |      |
| 19   | Solenoid Cover                            | 60002712    | 1    |      |
| 20   | Silicon tube cut to 1760mm                | 30006284    | 1    |      |
| 21   | Spring clip - Ø7mm to Ø7.5mm              | 30001789    | 2    |      |
| 22   | Pressure sensor                           | 3126044     | 1    |      |
| 23   | Rinse Boiler Assembly - 7.5L - 8.64kW     | 30013711    | 1    |      |
| 24   | RC Filter Connector Kit                   | 30014594    | 1    |      |

## 8. 6kW - Boiler assembly

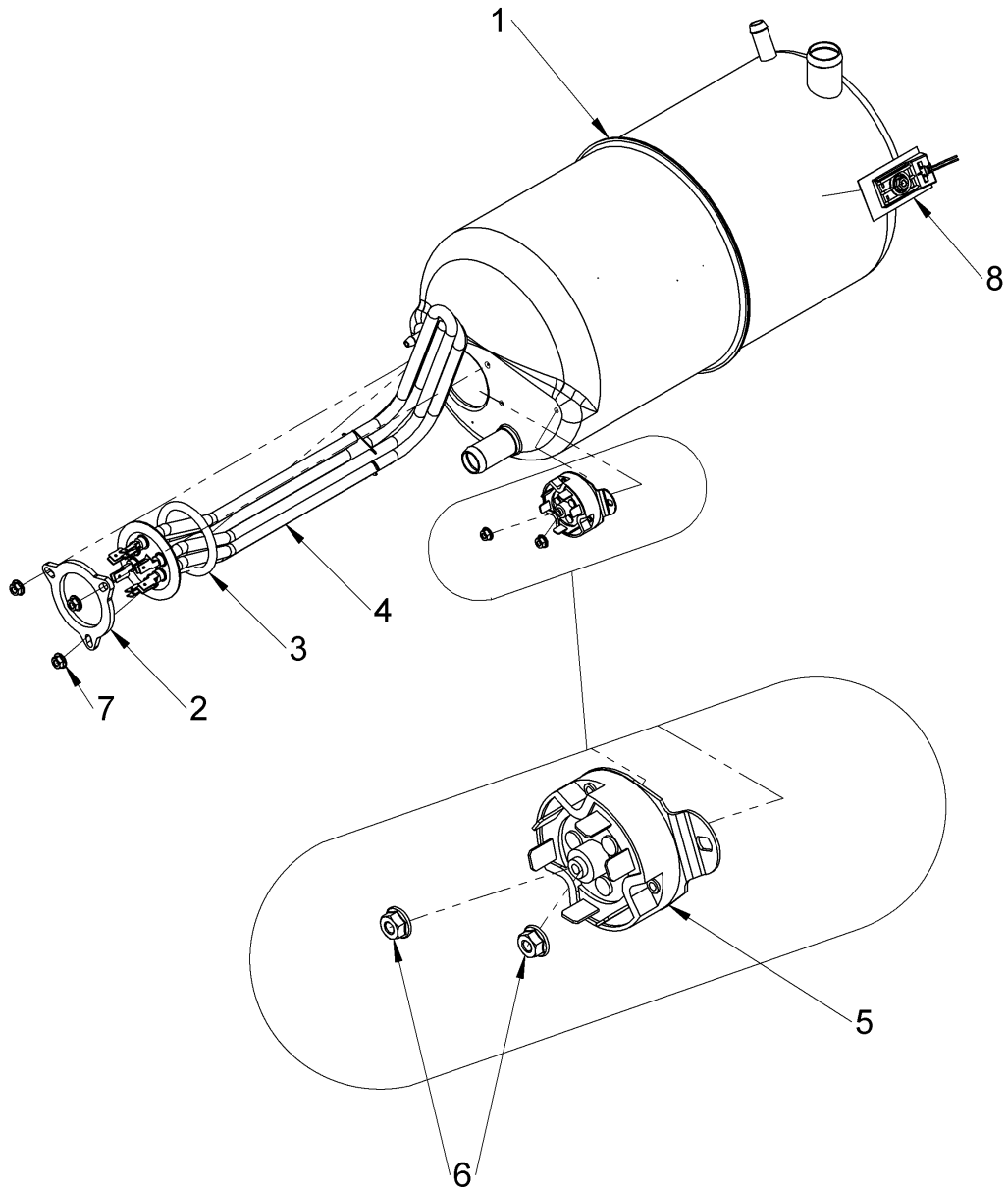


30011798-A

## 8. 6kW Boiler assembly – BOM

| Item | Description                                      | Part number | QTY. | Note |
|------|--|-------------|------|------|
| 1    | Rinse boiler - 7.5L                              | 30011839    | 1    |      |
| 2    | Manual reset thermal trip switch - 3 pole - 95°C | 30006090    | 1    |      |
| 3    | 6kW element - no phile                           | 30011827    | 1    |      |
| 4    | Bracket - rinse element                          | 0117003     | 1    |      |
| 5    | O-Ring - Ø46 x Ø6                                | 30000947    | 1    |      |
| 6    | M5 Flange nut (DIN 6923)                         | 30001186    | 3    |      |
| 7    | M4 Flange nut (DIN 6923)                         | 30006237    | 2    |      |
| 8    | Kit thermo sensor                                | 30002179    | 1    |      |

## 9. 8.64kW - Boiler assembly

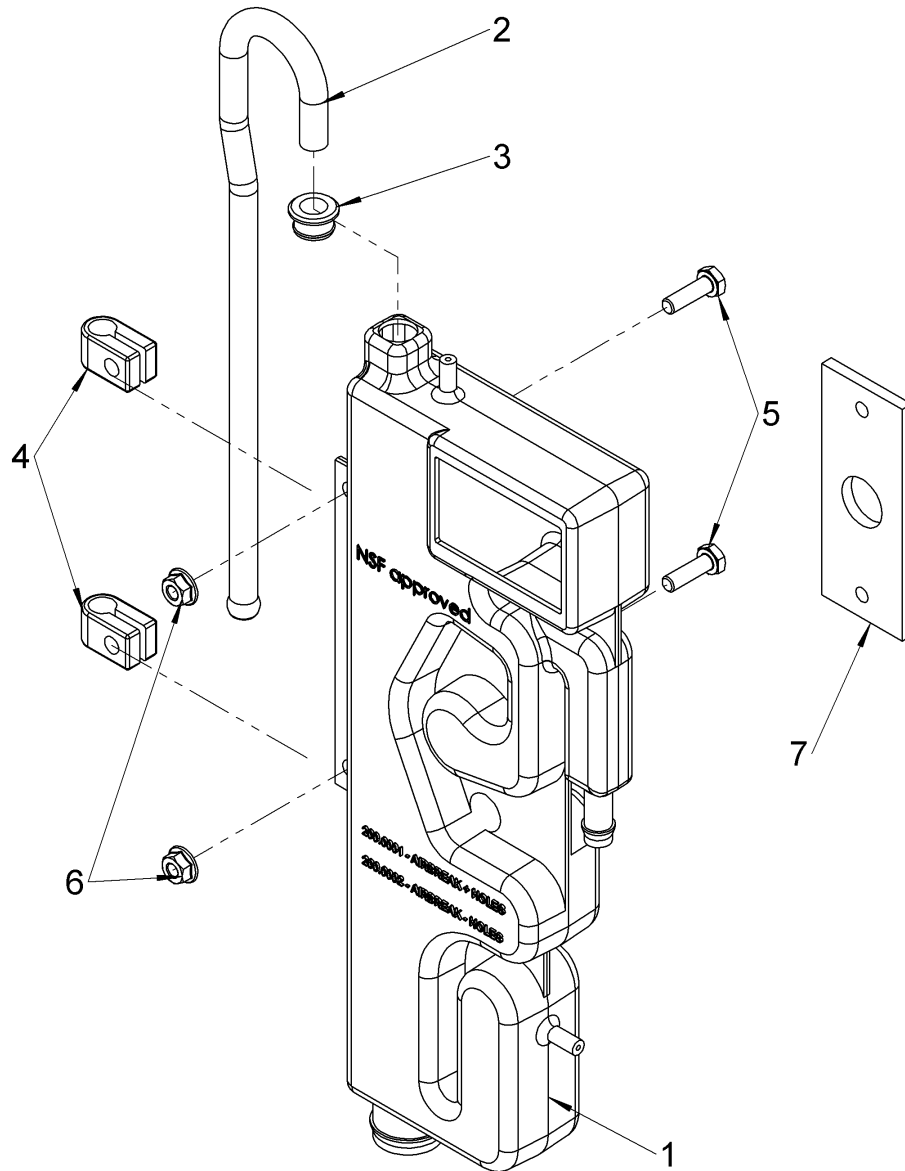


30013711-A

## 9. 8.64kW Boiler assembly – BOM

| Item | Description                                      | Part number | QTY. | Note |
|------|--|-------------|------|------|
| 1    | Rinse boiler - 7.5L                              | 30011839    | 1    |      |
| 2    | Bracket - rinse element                          | 0117003     | 1    |      |
| 3    | O-Ring - Ø46 x Ø6                                | 30000947    | 1    |      |
| 4    | 8.64kW Element - No phile                        | 30013219    | 1    |      |
| 5    | Manual reset thermal trip switch - 3 pole - 95°C | 30006090    | 1    |      |
| 6    | M4 Flange nut (DIN 6923)                         | 30006237    | 2    |      |
| 7    | M5 Flange nut (DIN 6923)                         | 30001186    | 3    |      |
| 8    | Kit thermo sensor                                | 30002179    | 1    |      |

## 10. Air Gap assembly

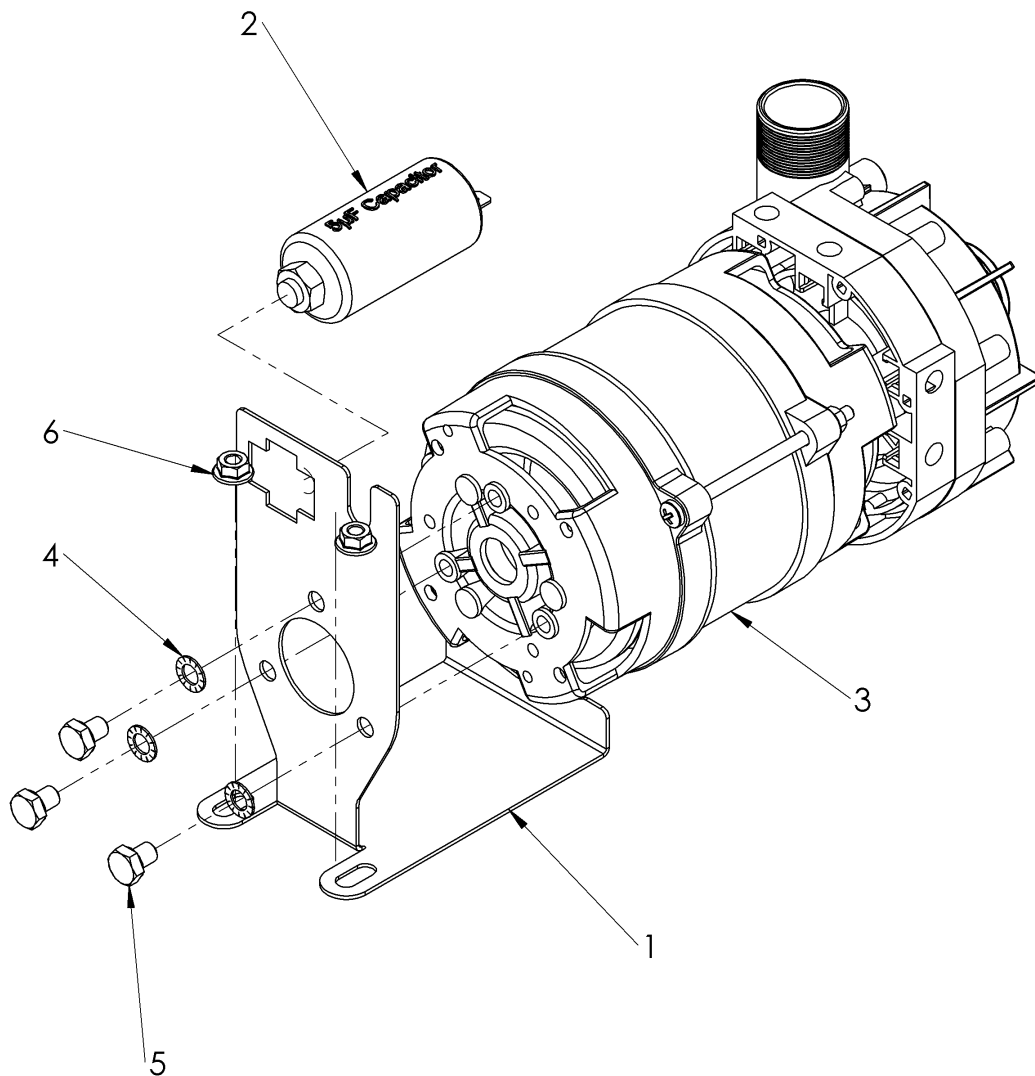


30011815-A

## 10. Air Gap assembly– BOM

| Item | Description                       | Part number | QTY. | Note |
|------|-----------------------------------|-------------|------|------|
| 1    | Air break tank                    | 30001078    | 1    |      |
| 2    | Air break feeder tube             | 30001079    | 1    |      |
| 3    | Air break plug                    | 30012160    | 1    |      |
| 4    | Cable cleat - No 4                | 30001844    | 2    |      |
| 5    | M6 x 20 hex head screw (ISO 4017) | 30001080    | 2    |      |
| 6    | M6 Flange nut (DIN 6923)          | 30001848    | 2    |      |
| 7    | Air break seal                    | 30012588    | 1    |      |

## 11. Rinse pump assembly PT



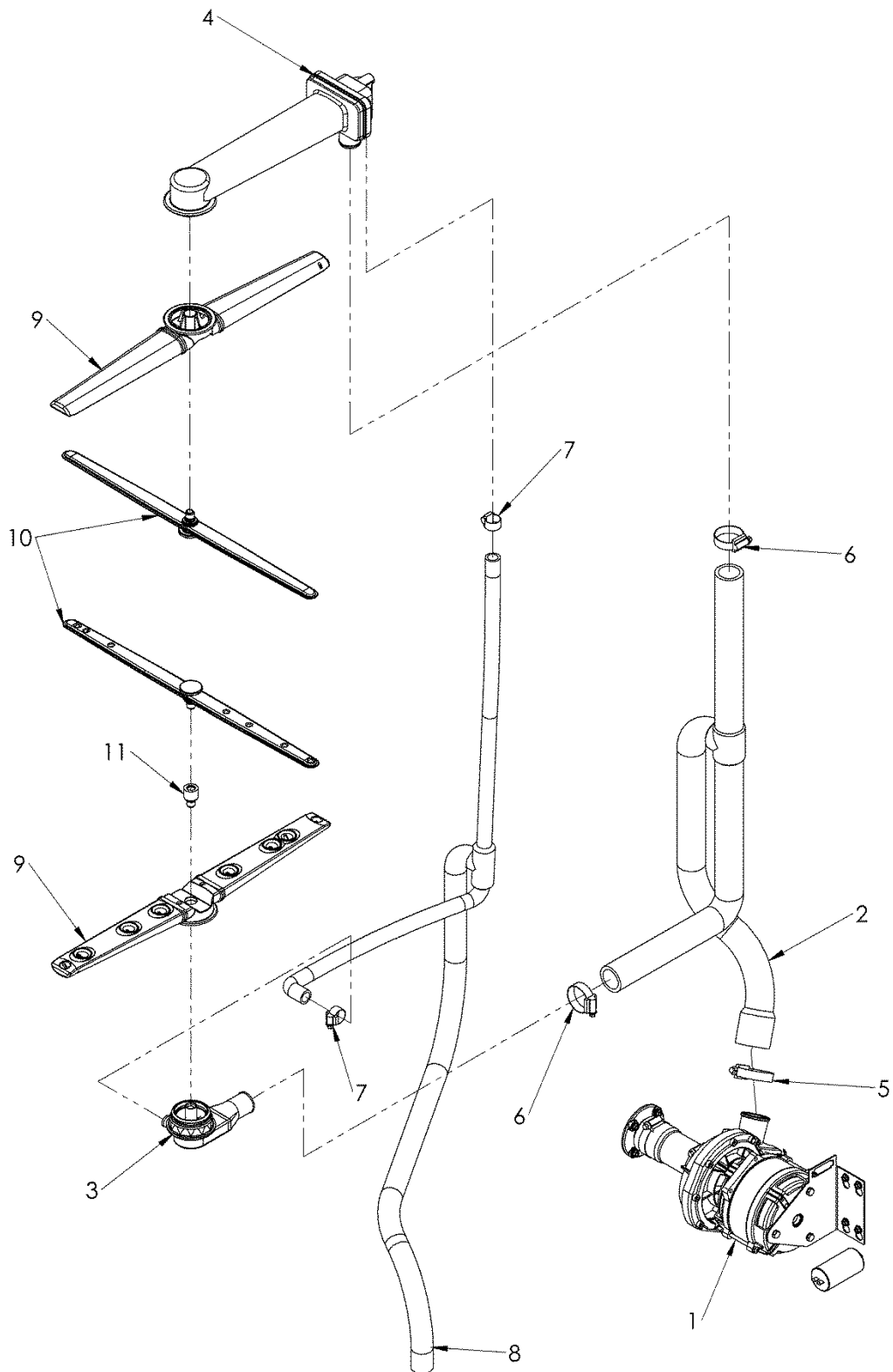
30015006-A



## 11. Rinse pump assembly PT-BOM

| Item | Description                      | Part number | QTY. | Note                  |
|------|----------------------------------|-------------|------|-----------------------|
| 1    | Rinse Pump Bracket - PT [2020]   | 30014753    | 1    |                       |
| 2    | 5 $\mu$ F Capacitor              | 30011583    | 1    | Includes washer & nut |
| 3    | Rinse booster pump - 0.19kW      | 30011819    | 1    |                       |
| 4    | M6 Serrated washer               | 30007939    | 3    |                       |
| 5    | M6 x 8 hex head screw (ISO 4017) | 30011209    | 3    |                       |
| 6    | M5 Flange nut (DIN 6923)         | 30001186    | 2    |                       |

## 12. Wash and Rinse system

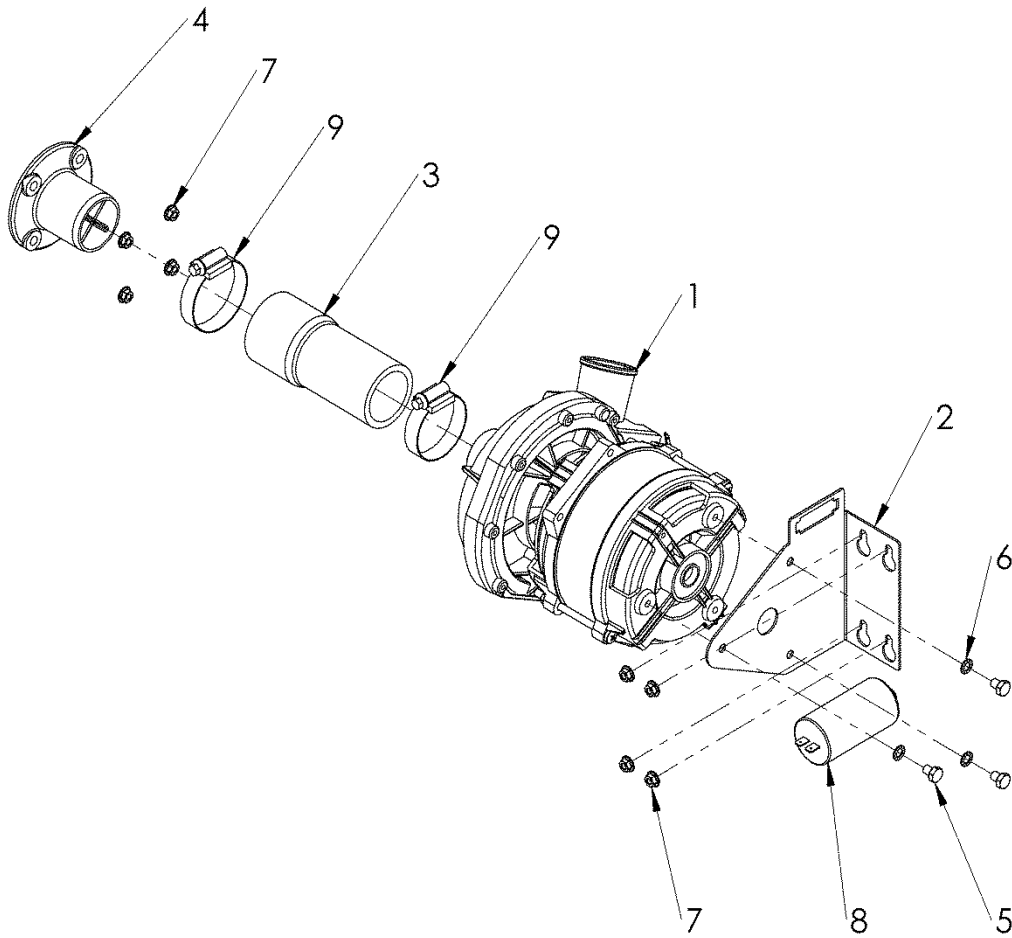


30015004-A

## 12. Wash and Rinse system – BOM

| Item | Description                             | Part number | QTY. | Note |
|------|---|-------------|------|------|
| 1    | Wash Pump Assembly                      | 30015003    | 1    |      |
| 2    | Wash Outlet Hose PT                     | 30014826    | 1    |      |
| 3    | Centre boss assembly                    | 30003284    | 1    |      |
| 4    | Hood top manifold assembly              | 30013520    | 1    |      |
| 5    | Jubilee clip - 40mm to 60mm             | 30001218    | 1    |      |
| 6    | Jubilee clip - 30mm to 45mm             | 30001115    | 2    |      |
| 7    | Jubilee Clip - 12mm to 22mm             | 30001088    | 2    |      |
| 8    | Rinse Outlet Hose PT                    | 30014827    | 1    |      |
| 9    | Kit rotary arms washing                 | 60003520    | 2    |      |
| 10   | Revolving rinse arm assembly -<br>500mm | 60004062    | 2    |      |

### 13. Wash pump assembly

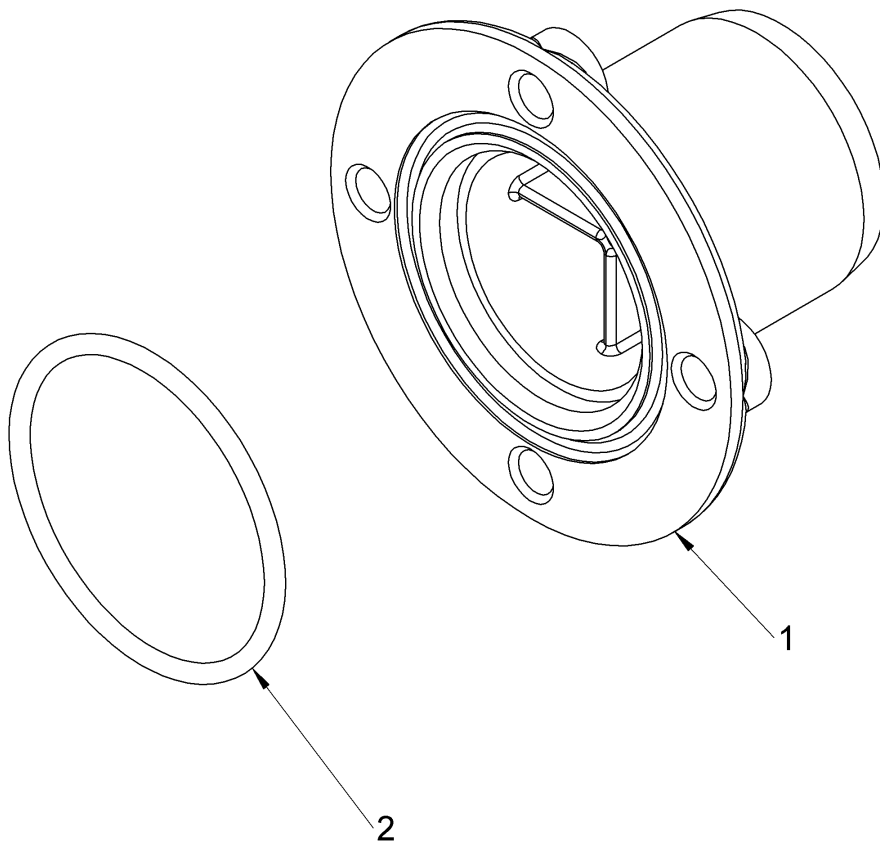


30015003-A

### 13. Wash pump assembly – BOM

| Item | Description                      | Part number | QTY. | Note                  |
|------|----------------------------------|-------------|------|-----------------------|
| 1    | Wash pump 0.58kW                 | 30011817    | 1    |                       |
| 2    | Wash Pump Bracket PT             | 30014752    | 1    |                       |
| 3    | Wash Pump Inlet hose             | 30014820    | 1    |                       |
| 4    | Wash boss assembly               | 30013519    | 1    |                       |
| 5    | M6 x 8 hex head screw (ISO 4017) | 30011209    | 3    |                       |
| 6    | M6 Serrated washer               | 30007939    | 3    |                       |
| 7    | M5 Flange nut (DIN 6923)         | 30001186    | 8    |                       |
| 8    | 12.5µF Capacitor                 | 30011582    | 1    | Includes washer & nut |
| 9    | Jubilee clip - 40mm to 60mm      | 30001218    | 2    |                       |

**14. Wash Boss assembly (30013519)**

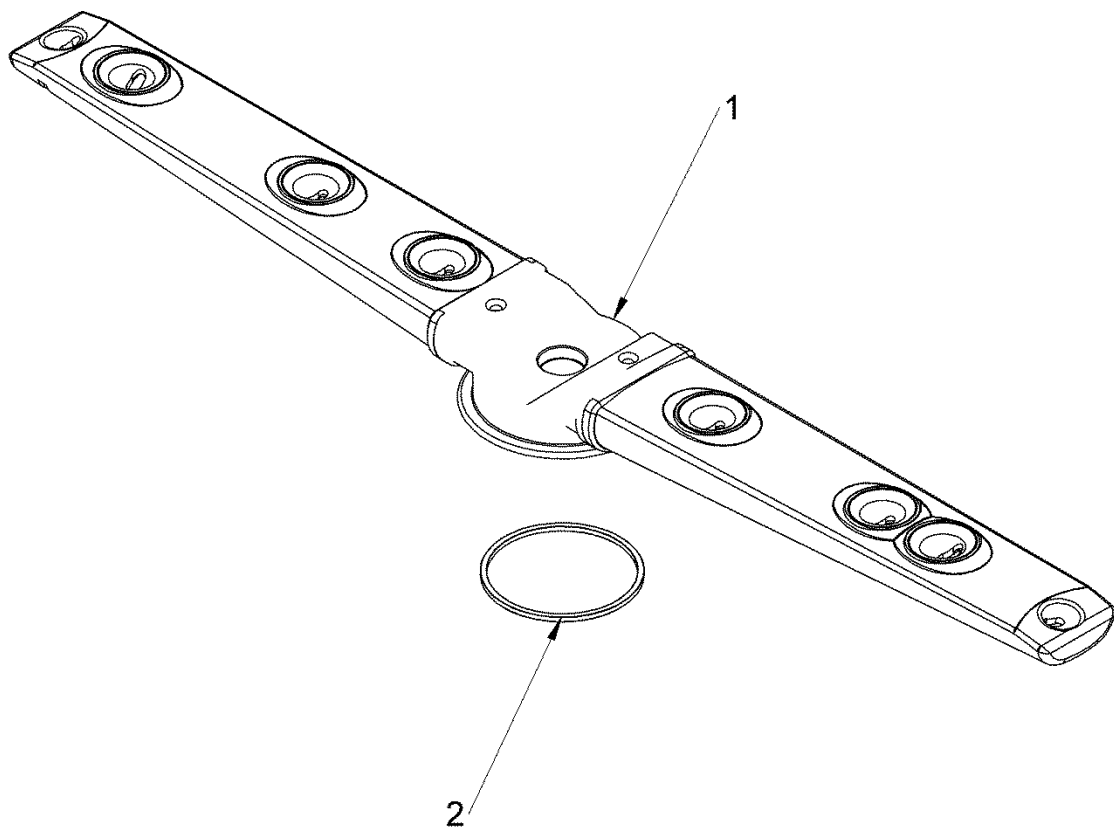


30013519-A

#### 14. Wash boss assembly (30013519) - BOM

| Item | Description       | Part number | QTY. | Note |
|------|-------------------|-------------|------|------|
| 1    | Wash outlet       |             | 1    |      |
| 2    | O-ring - Ø48 x Ø3 | 30000404    | 1    |      |

15. Kit Rotary arms Washing (60003520)



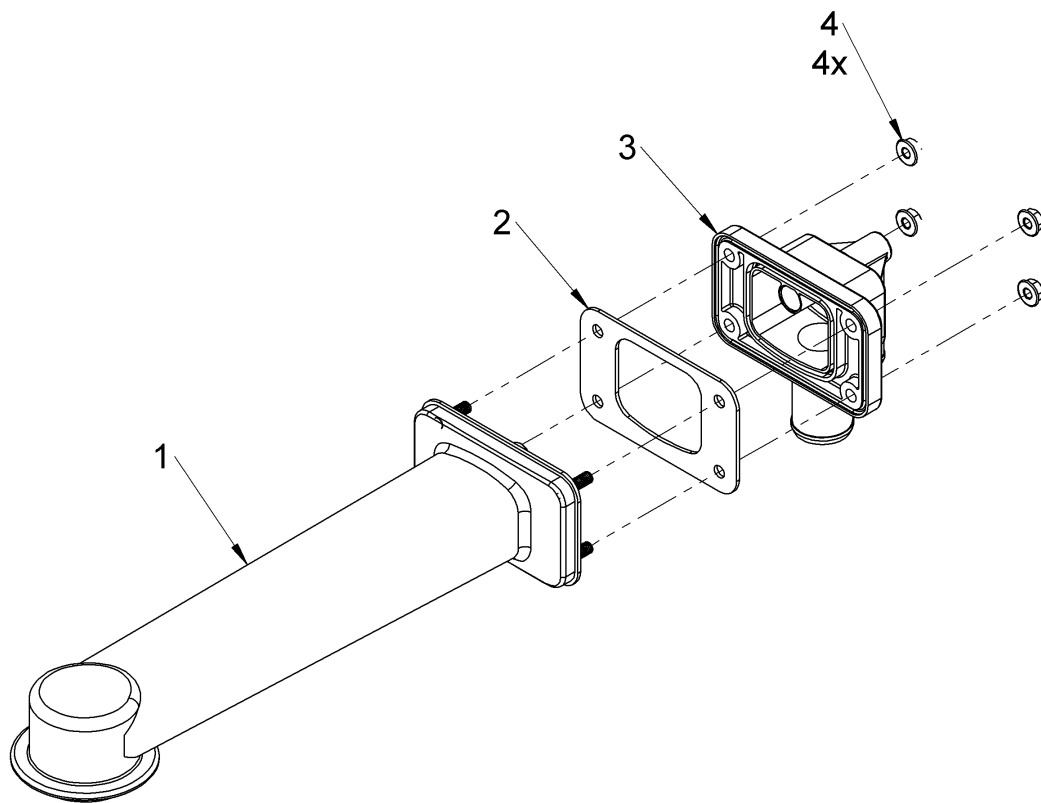
60003520-A



## 15. Kit Rotary arms Washing (60003520) – BOM

| Item | Description       | Part number | QTY. | Note                     |
|------|-------------------|-------------|------|--------------------------|
| 1    | Wash Arm 500mm    |             | 1    | Not available as a spare |
| 2    | Seal (turbo ring) | 60003021    | 1    | Only on Dishwasher       |

## 16. Top manifold assembly

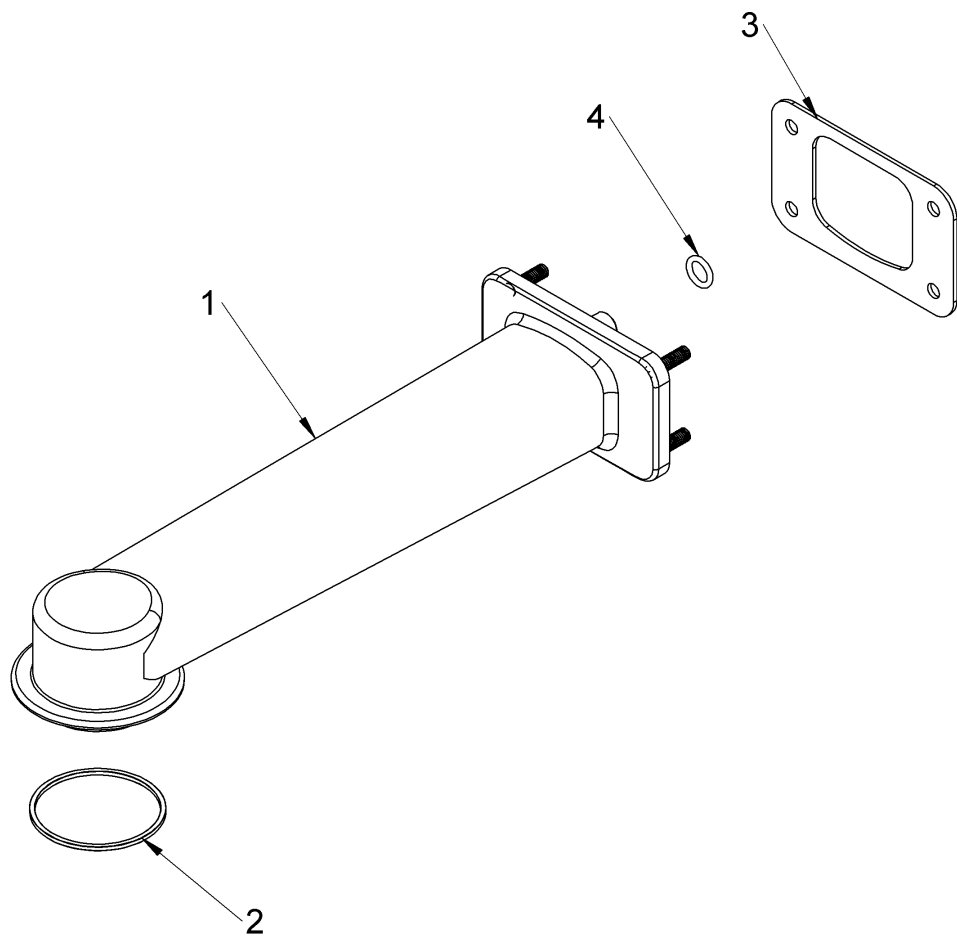


30013520-A

## 16. Top manifold assembly – BOM

| Item | Description               | Part number | QTY. | Note |
|------|---------------------------|-------------|------|------|
| 1    | Top Manifold              | 30013508    | 1    |      |
| 2    | Top wash seal             | 30001036    | 1    |      |
| 3    | Wash/Rinse manifold outer | 30001035    | 1    |      |
| 4    | M6 Flange nut (DIN 6923)  | 30001848    | 4    |      |

## 17. Top manifold

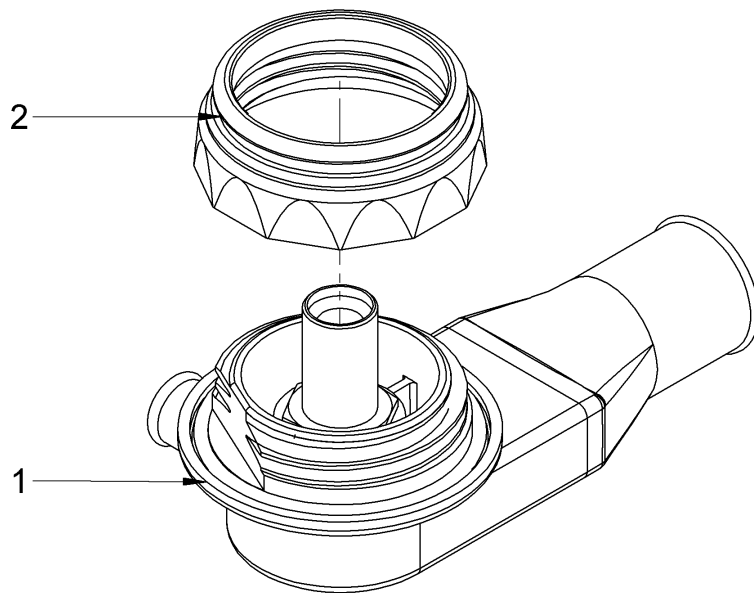


30013508-A

## 17. Top manifold – BOM

| Item | Description           | Part number | QTY. | Note               |
|------|-----------------------|-------------|------|--------------------|
| 1    | PT Top Manifold       |             | 1    |                    |
| 2    | Seal ring             | 60003021    | 1    | Only on Dishwasher |
| 3    | Top wash seal         | 30001036    | 1    |                    |
| 4    | O ring - 2.5mm x 10mm | 30000723    | 1    |                    |

## 18. Center boss assembly

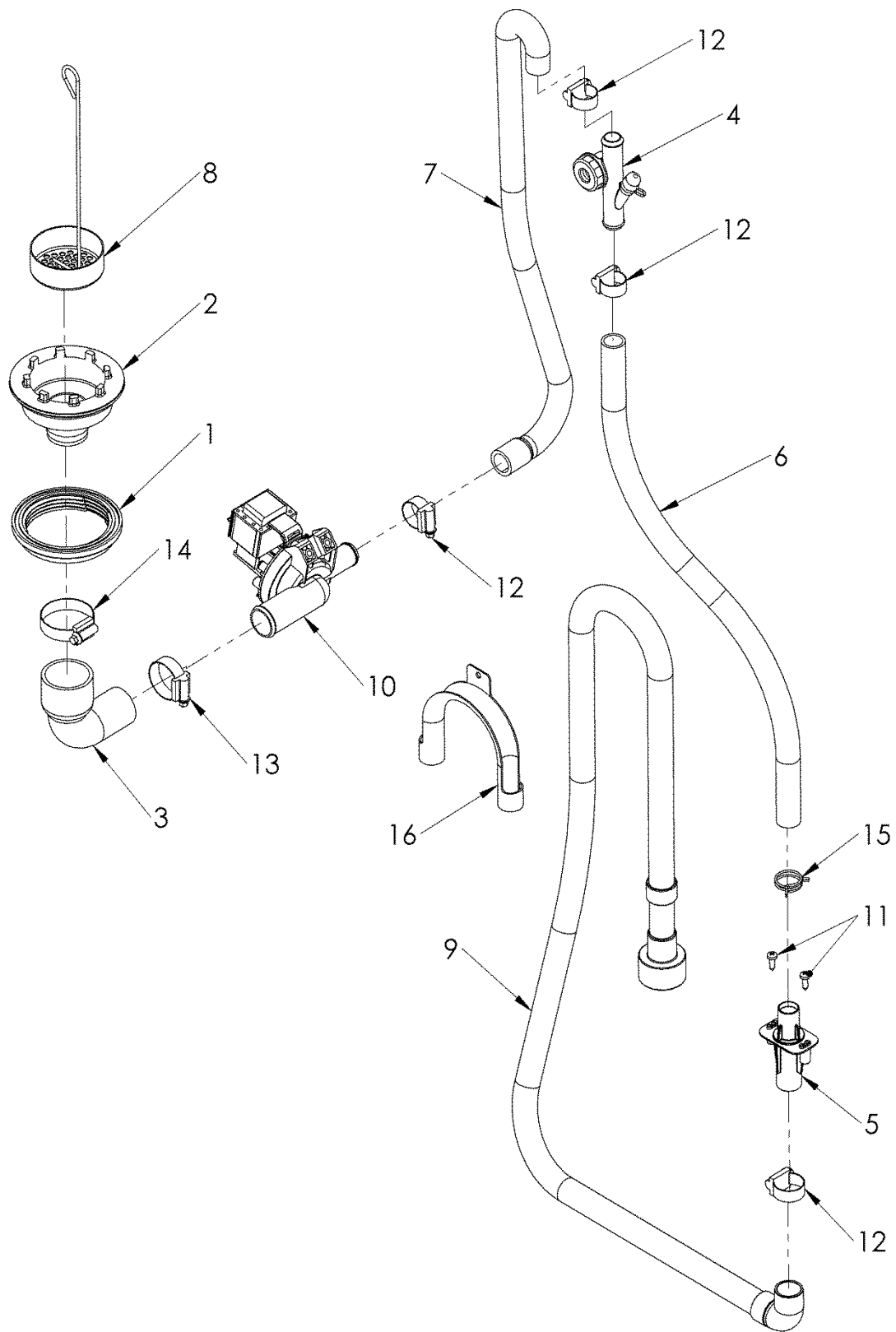


30003284-A

## 18. Center boss assembly – BOM

| Item | Description          | Part number | QTY. | Note |
|------|----------------------|-------------|------|------|
| 1    | Centre boss assembly | 30012323    | 1    |      |
| 2    | Lock nut             | 60003005    | 1    |      |

## 19. Drain System



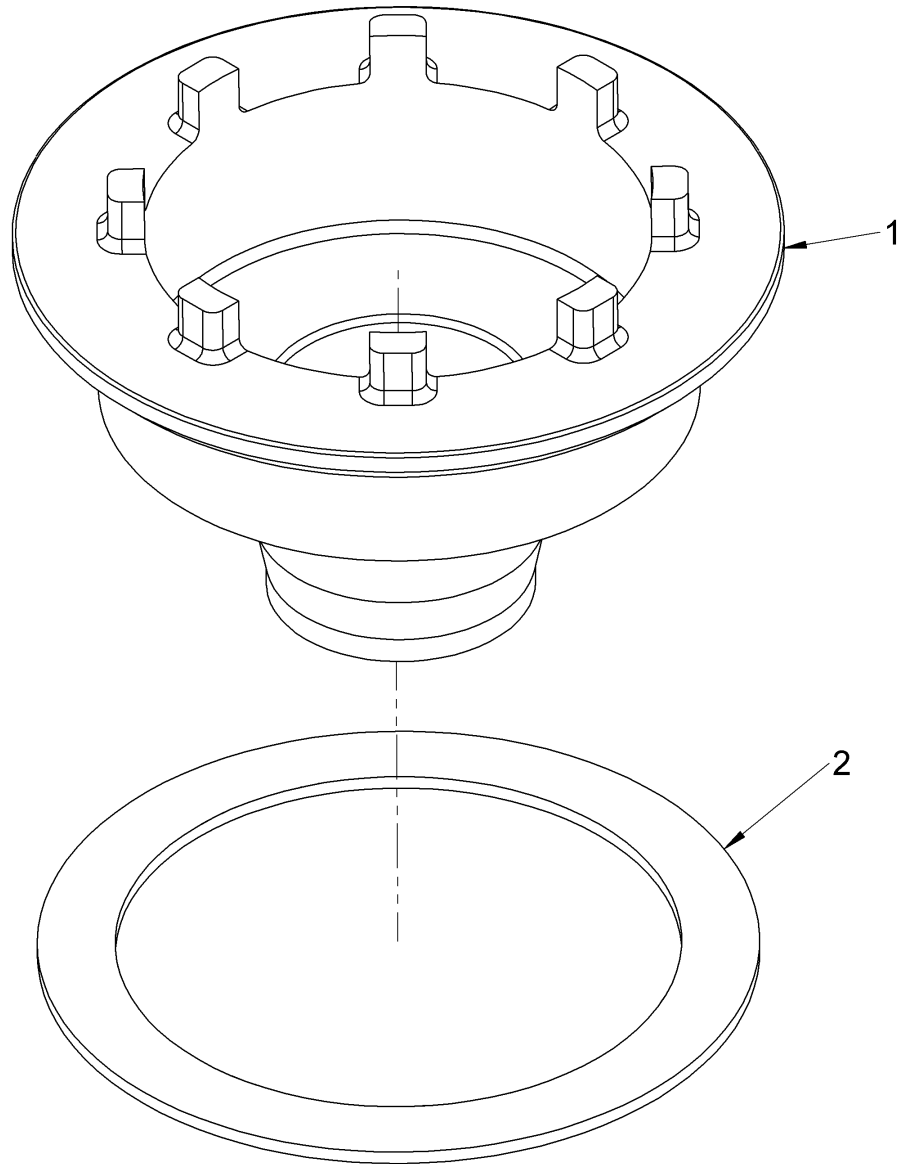
30015005-A



## 19. Drain System – BOM

| Item | Description                     | Part number | QTY. | Note |
|------|---------------------------------|-------------|------|------|
| 1    | Kit lock nut                    | 61005268    | 1    |      |
| 2    | Kit sump drain                  | 61006178    | 1    |      |
| 3    | Drain Pump inlet hose           | 30014821    | 1    |      |
| 4    | Kit drain air break             | 60003514    | 1    |      |
| 5    | Drain Connector                 | 61006923    | 1    |      |
| 6    | Drain Anti-syphon outlet hose   | 30014822    | 1    |      |
| 7    | Drain pump outlet hose - ECO 1  | 30006073    | 1    |      |
| 8    | PT Secondary Metal Filter       | 65005555    | 1    |      |
| 9    | Drain Hose 2M                   | 60003759    | 1    |      |
| 10   | Drain pump - Head 90° to flow   | 30011696    | 1    |      |
| 11   | M4x16 Self tapping screw        | 30014829    | 2    |      |
| 12   | Jubilee Clip - 20mm to 32mm     | 30001112    | 4    |      |
| 13   | Sp. Jubilee Clip - 25mm to 40mm | 30013293    | 1    |      |
| 14   | Jubilee clip - 32mm to 50mm     | 30001114    | 1    |      |
| 15   | Wire Hose Clip (D24.2 x 2.2)    | 2802358     | 1    |      |
| 16   | Hook for drain hose             | 30006231    | 1    |      |

20. Kit Sump Drain

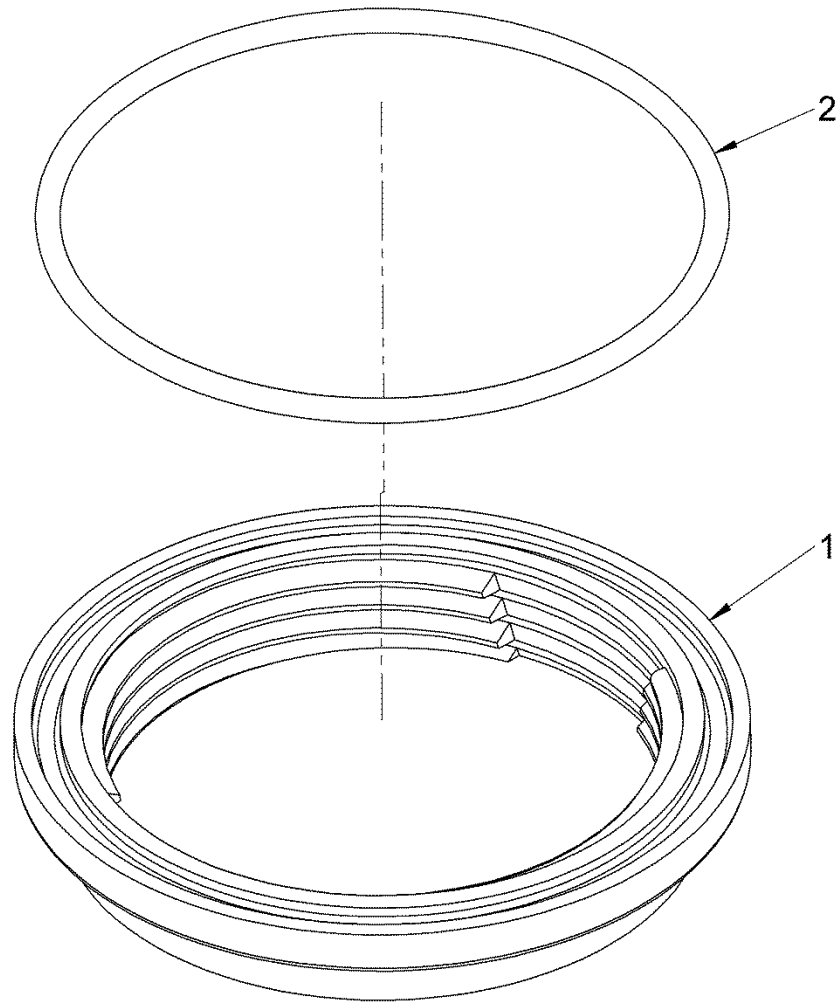


61006178-A

## 20. Kit Sump Drain – BOM

| Item | Description      | Part number | QTY. | Note |
|------|------------------|-------------|------|------|
| 1    | Drain boss Inner |             | 1    |      |
| 2    | Drain seal       | 2701007     | 1    |      |

21. Kit Lock Nut

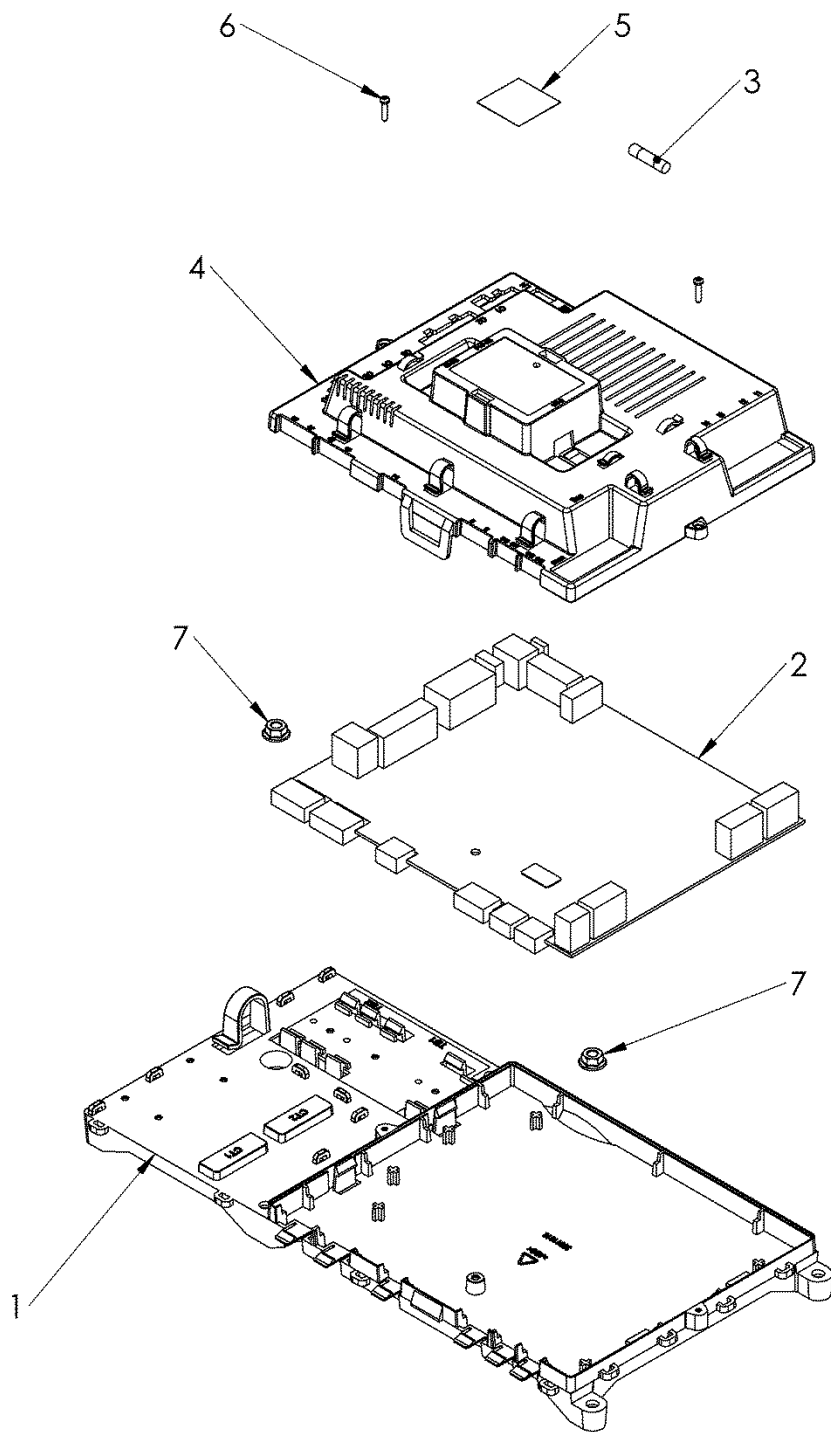


61005268-A

## 21. Kit Lock Nut - BOM

| Item | Description         | Part number | QTY. | Note |
|------|---------------------|-------------|------|------|
| 1    | Lock nut            |             | 1    |      |
| 2    | O-ring - Ø91 x Ø3.5 | 2707075     | 1    |      |

## 22. Control Unit STD

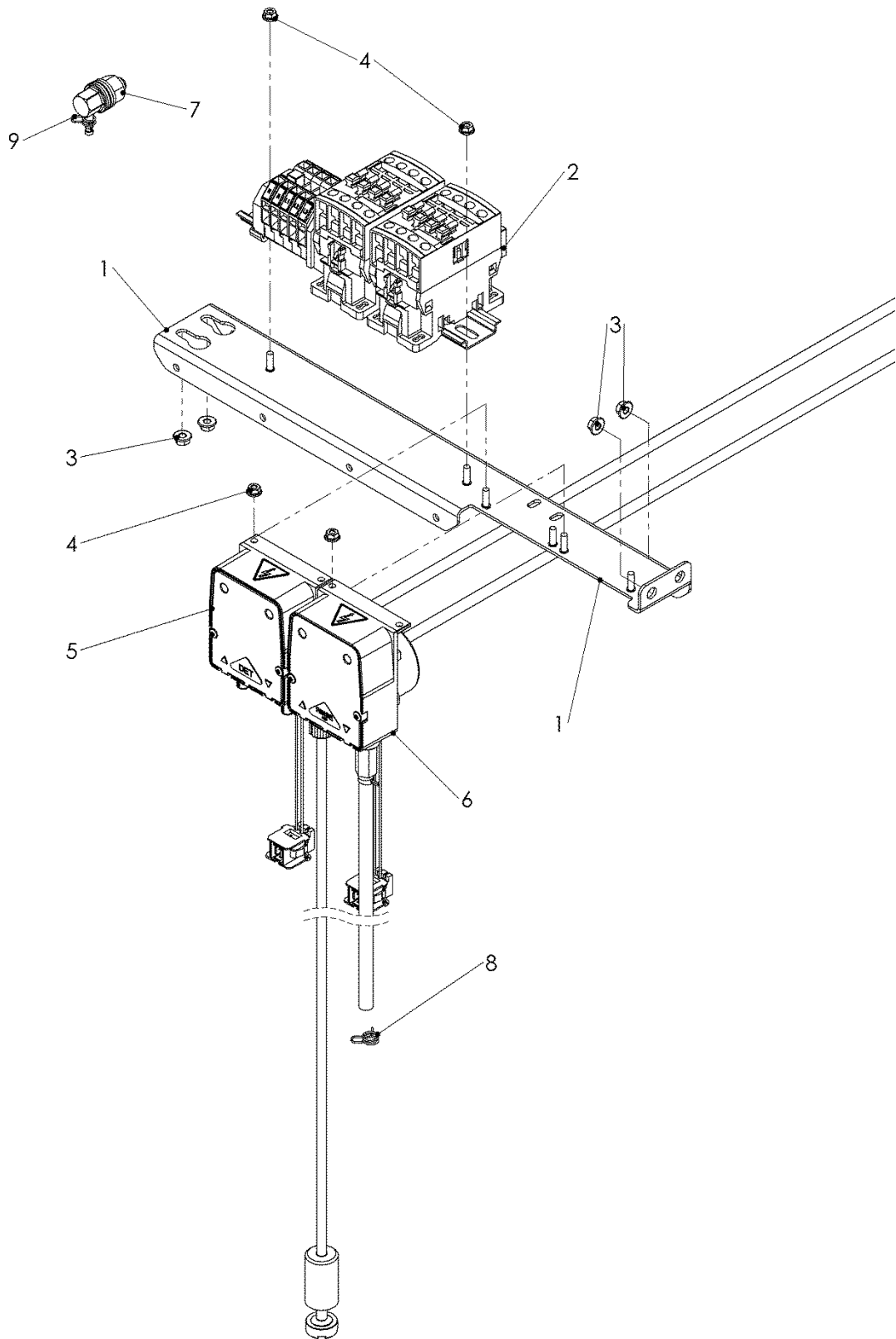


30015008-A

## 22. Control Unit STD-BOM

| Item | Description                     | Part number | QTY. | Note |
|------|---------------------------------|-------------|------|------|
| 1    | Control board enclosure base    | 30011618    | 1    |      |
| 2    | ZSE mini full assembly          | 30012356    | 1    |      |
| 3    | 4 Amp Fine Fuse ZSE             | 3111123     | 1    |      |
| 4    | Control board enclosure cover   | 30011619    | 1    |      |
| 5    | Live Warning Label              |             | 1    |      |
| 6    | 2.5x10mm PT screw               | 30011824    | 2    |      |
| 7    | 3.5x10mm posi pan head PT screw | 30011825    | 1    |      |
| 8    | UC Mains filter                 | 30012203    | 1    |      |
| 9    | M5 Flange nut (DIN 6923)        | 30001186    | 2    |      |

## 23. Centre Rail Assembly STD



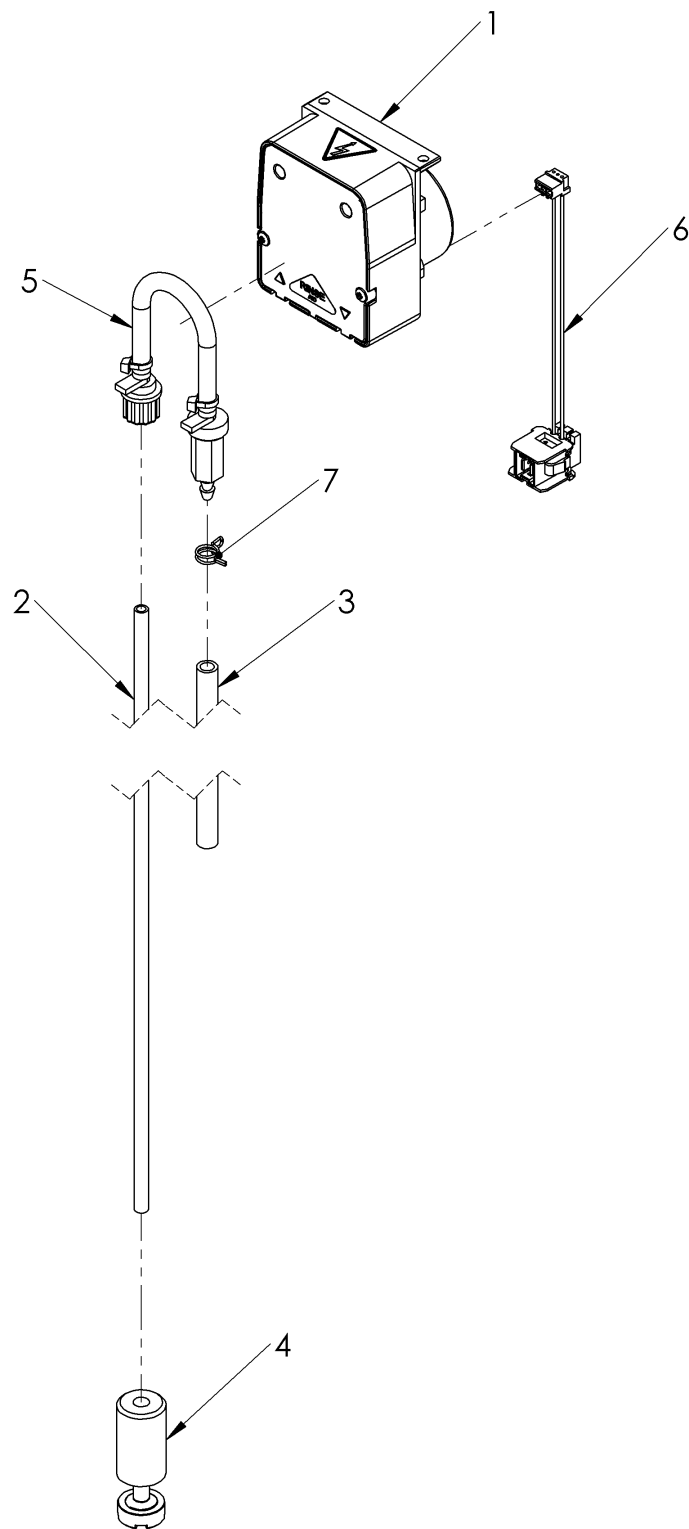
30015010-A



### 23. Centre Rail Assembly STD-BOM

| Item | Description                    | Part number | QTY. | Note |
|------|--------------------------------|-------------|------|------|
| 1    | Centre Bracket assembly        |             | 1    |      |
| 2    | Standard Electrical            |             | 1    |      |
| 3    | M5 Flange nut (DIN 6923)       | 30001186    | 4    |      |
| 4    | M4 Flange nut (DIN 6923)       | 30006237    | 4    |      |
| 5    | Sales Kit – Detergent Pump     | 30015060    | 1    |      |
| 6    | Sales Kit – Rinse Aid Pump     | 30015061    | 1    |      |
| 7    | Detergent inlet fitting        | 30011822    | 1    |      |
| 8    | Spring clip - Ø8.8mm to Ø9.3mm | 30011994    | 1    |      |
| 9    | Spring clip - Ø7mm to Ø7.5mm   | 30001789    | 1    |      |

## 24. Rinse aid pump assembly (30015061)

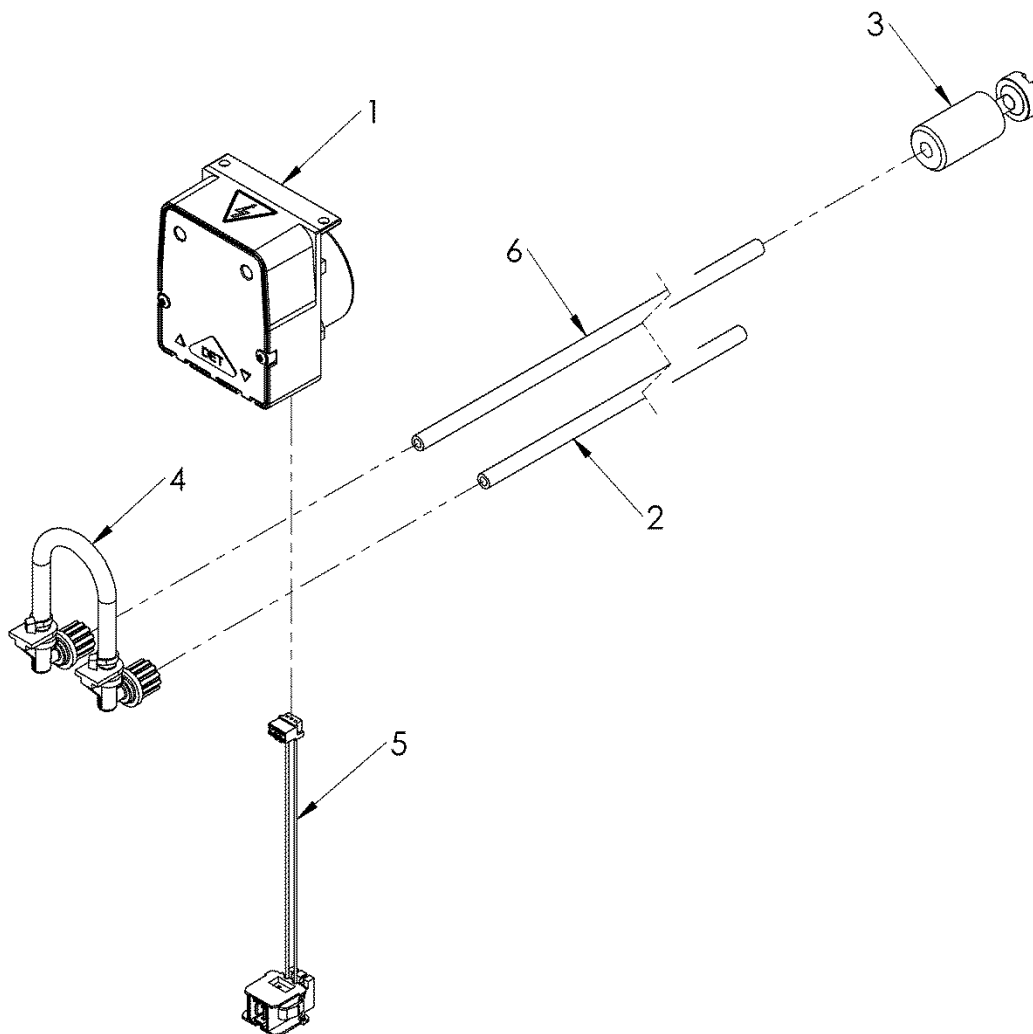


30015061-B

## 24. Rinse aid pump assembly – BOM

| Item | Description                         | Part number | QTY. | Note                     |
|------|-------------------------------------|-------------|------|--------------------------|
| 1    | Rinse aid pump housing              |             | 1    | Not available as a spare |
| 2    | Rinse aid inlet tube                | 30008385    | 1    |                          |
| 3    | Rinse aid outlet tube               | 30012414    | 1    |                          |
| 4    | Bottle weight kit                   | 30012370    | 1    |                          |
| 5    | Rinse aid peristaltic tube assembly | 30012415    | 1    |                          |
| 6    | Rinse Aid Connection Wire           |             | 1    | Not available as a spare |
| 7    | Spring clip - Ø8.8mm to Ø9.3mm      | 30011994    | 1    |                          |

## 25. Detergent pump assembly (30015060)

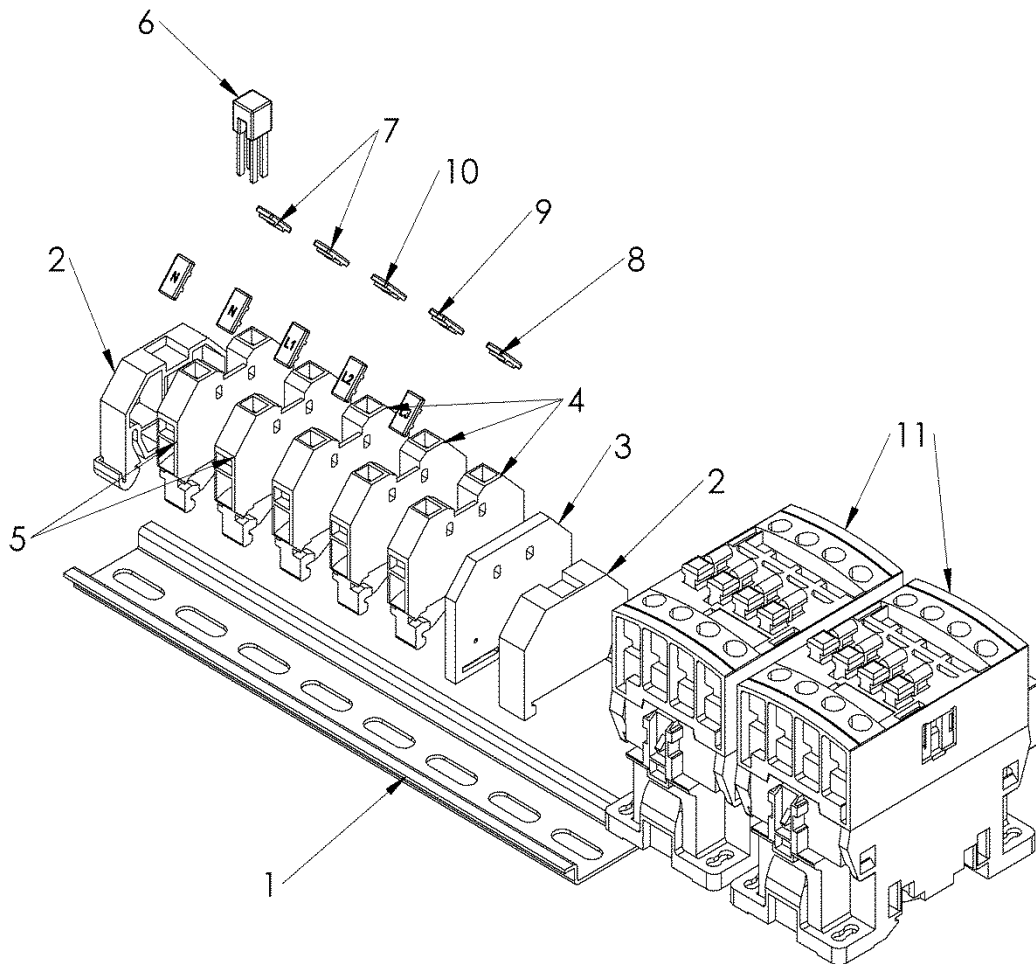


30015060-A

## 25. Detergent pump assembly – BOM

| Item | Description            | Part number | QTY. | Note                     |
|------|------------------------|-------------|------|--------------------------|
| 1    | Detergent pump housing |             | 1    | Not available as a spare |
| 2    | Detergent outlet tube  | 30012406    | 1    |                          |
| 3    | Bottle weight kit      | 30012370    | 1    |                          |
| 4    | Detergent hose         | 30000996    | 1    |                          |
| 5    | DET Connection Wire    |             | 1    | Not available as a spare |
| 6    | Detergent inlet tube   | 30008386    | 1    |                          |

## 26. Electrical Assembly STD

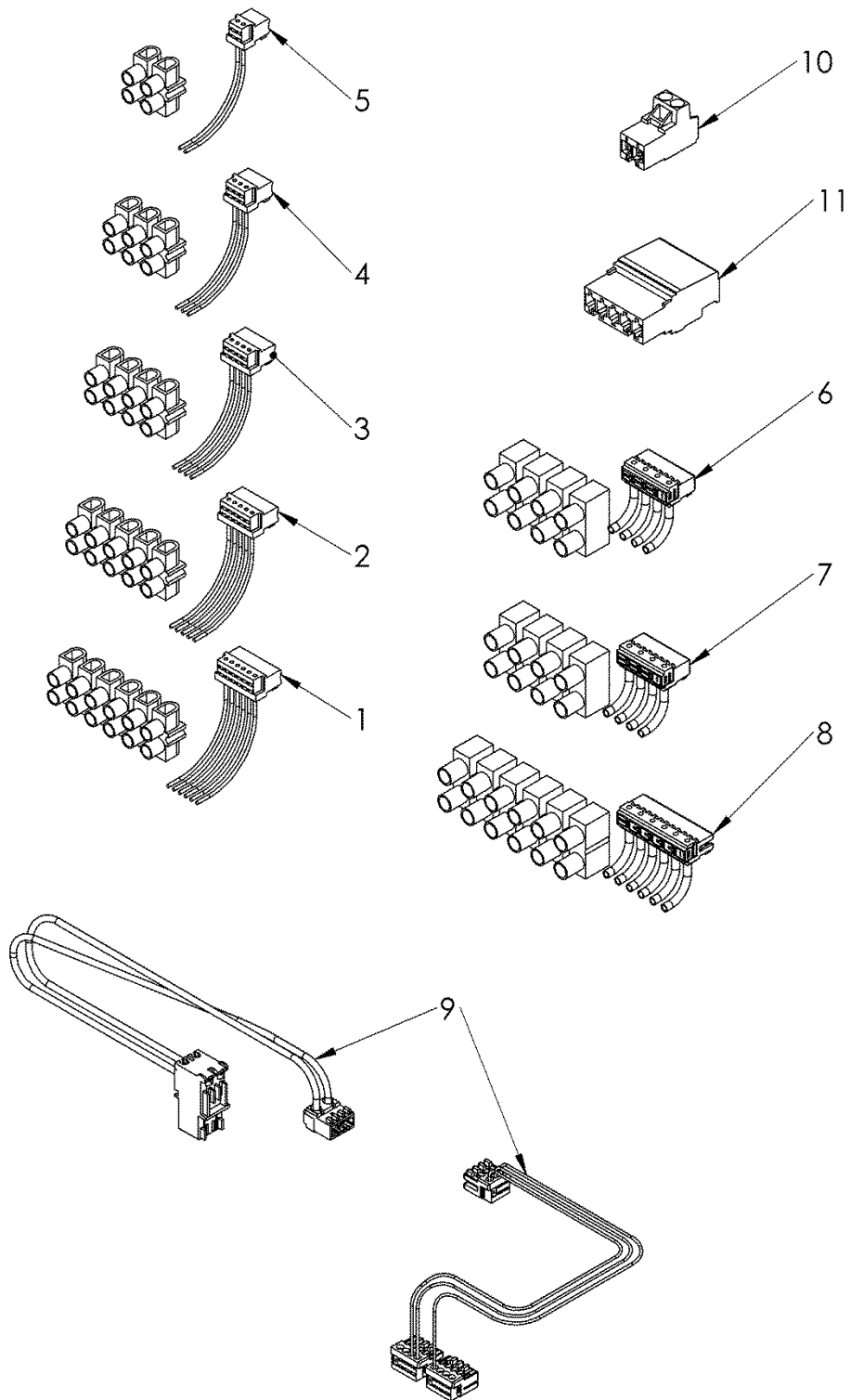


30015009-A

## 26. Electrical assembly STD- BOM

| Item | Description                              | Part number | QTY. | Note |
|------|--|-------------|------|------|
| 1    | Din Rail - 200mm Slotted                 |             | 1    |      |
| 2    | Terminal block - 6mm - End stop          | 30001225    | 2    |      |
| 3    | Terminal block segment - 6mm - End plate | 30001228    | 1    |      |
| 4    | Terminal block segment - 6mm - Live      | 30001226    | 3    |      |
| 5    | 6mm Terminal Block - Neutral             | 30001227    | 2    |      |
| 6    | 6mm Terminal Block - Jumper              | 30001229    | 1    |      |
| 7    | Label plate - N                          |             | 4    |      |
| 8    | Label plate - L3                         |             | 2    |      |
| 9    | Label plate - L2                         |             | 2    |      |
| 10   | Label plate - L1                         |             | 2    |      |
| 11   | Contactora AF16                          | 30000861    | 2    |      |

## 27. Cable Accessories



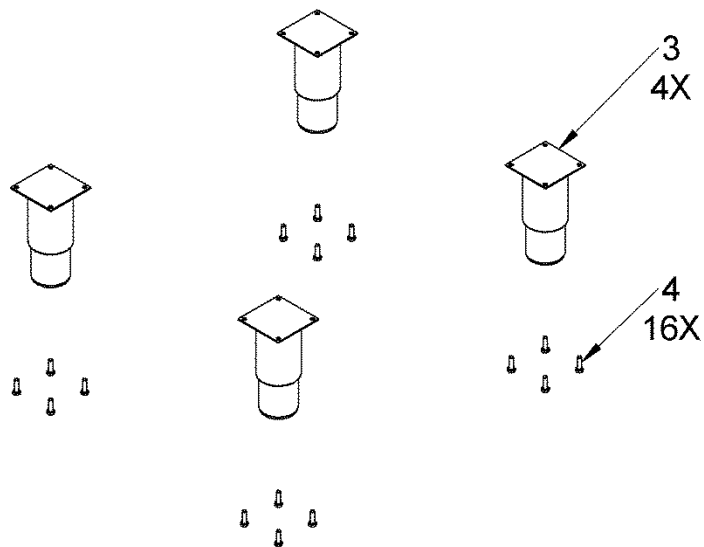
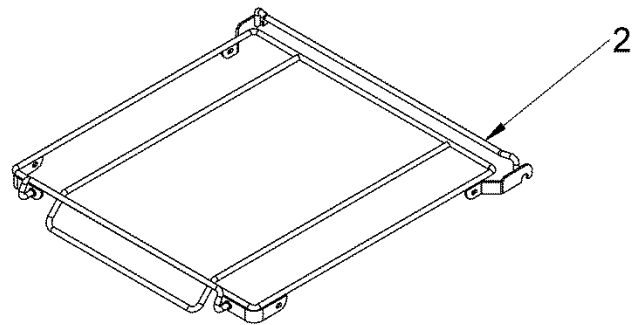
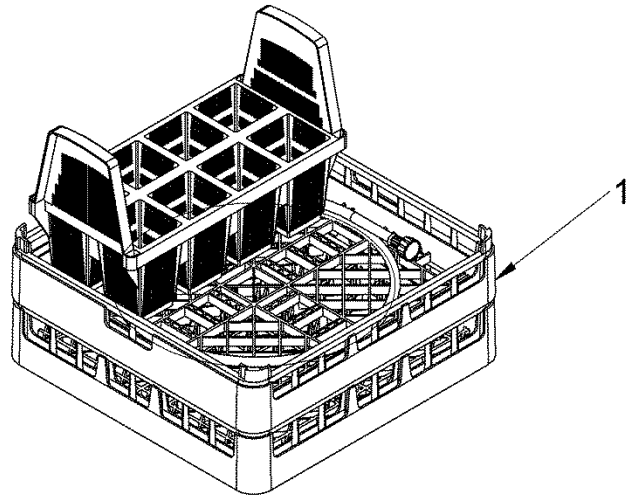
30014265-A



## 27. Cable Accessories – BOM

| Item | Description                              | Part number | QTY. | Note      |
|------|--|-------------|------|-----------|
| 1    | KIT MACRO-MODULE PLUG SIZE<br>2,5 6-POLE | 30002484    | 1    |           |
| 2    | KIT MACRO-MODULE PLUG SIZE<br>2,5 5-POLE | 30002483    | 1    |           |
| 3    | KIT MACRO-MODULE PLUG SIZE<br>2,5 4-POLE | 30002482    | 1    |           |
| 4    | KIT MACRO-MODULE PLUG SIZE<br>2,5 3-POLE | 30000198    | 1    |           |
| 5    | KIT MACRO-MODULE PLUG SIZE<br>2,5 2-POLE | 30000197    | 1    |           |
| 6    | Module Plug (Size 5,0 / 4Pole)<br>Type A | 30014137    | 1    |           |
| 7    | Module Plug (Size 5,0 / 4Pole)<br>Type B | 30014138    | 1    |           |
| 8    | Module Plug (Size 5,0 / 6Pole)           | 30014140    | 1    |           |
| 9    | ZSE Water Softener Harness Kit           | 30014124    | 1    |           |
| 10   | MACRO-MODULE PLUG5, 5-<br>POLE           | 3112091     | 1    |           |
| 11   | Marco Module Plug5, 5Pole                | 30002002    | 1    |           |
| 12   | 6.0kW Element Wire Kit                   | 30013685    | 1    | Not shown |
| 13   | 2.6kW Element Wire Kit                   | 30013686    | 1    | Not shown |

## 28. Accessories



30013540-A

## 28. Accessories – BOM

| Item | Description                       | Part number | QTY. | Note      |
|------|-----------------------------------|-------------|------|-----------|
| 1    | 500mm Dishwasher accessories      | 30012340    | 1    | Not shown |
| 2    | Basket Frame                      | 30001200    | 1    |           |
| 3    | Adjuster foot                     | 30001222    | 4    |           |
| 4    | M6 x 20 hex head screw (ISO 4017) | 30001080    | 16   |           |

## 29. Dishwasher accessories

| Item | Description                    | Part number | QTY. | Note |
|------|--------------------------------|-------------|------|------|
| 1    | Water supply hose              | 30001162    | 1    |      |
| 2    | 500mm <sup>2</sup> open basket | 30001197    | 1    |      |
| 3    | 500mm <sup>2</sup> dish basket | 30001198    | 1    |      |
| 4    | Large cutlery basket           | 3602258     | 1    |      |

## 30. Mains cable

| Item | Description                             | Part number | QTY. | Note |
|------|---|-------------|------|------|
| 1    | 30A 1Phase Mains Cable Kit              | 30013553    | 1    |      |
| 2    | 3 Phase Mains Cable Kit - PT            | 30014548    | 1    |      |
| 3    | 3 Phase 5G4 Mains Cable Kit - PT        | 30014549    | 1    |      |
| 4    | 4G2.5 (No Neutral) Mains Cable Kit - PT | 30014550    | 1    |      |

