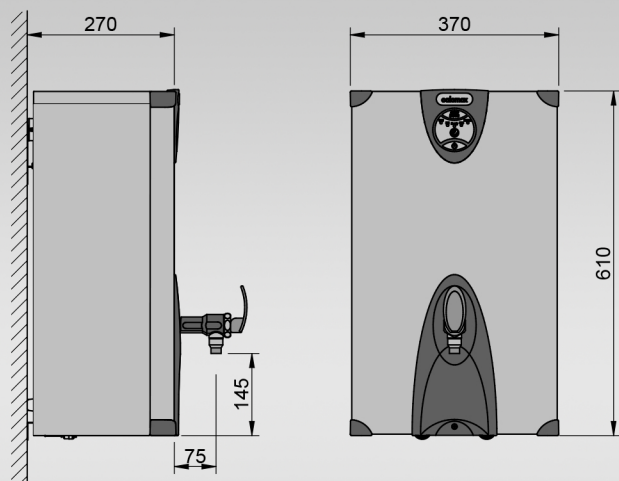


ECLIPSE 3W15C-SS



Key Features:

- UK designed and made
- 15L rapid draw off
- Temperature controlled between 96°C and 97°C
- Easy install and service features - removable front panel
- Energy-saving "eco" button which reduces the volume of boiling water by 50% at "off peak" times of demand
- Antimicrobial protection in the tap handle and spill tray
- Clear and unambiguous self-diagnostic display panel
- Integral scale-inhibitor technology
- Extended 2-year warranty
- No steam emissions
- Discrete on/off switch incorporated into moulding
- Competitively priced
- Cool-to-touch stainless steel outer casing
- Push-fit and compression adapter included to simplify installation



| SIZE | REF | CASING | RATING | CAPACITY (including initial draw-off) | DIMENSIONS (W x D x H) |
|----------|----------|--------------------|--------|--|---------------------------|
| 15 LITRE | 3W15C-SS | STAINLESS STEEL | 3kW | 35 LITRES PER HOUR | 370 x 270 x 610 |