



CITRUS JUICE EXTRACTOR ECM 230/50/1

Hand-operated citrus juice squeezer.



3420030



SNACK BAR-PIZZERIA
COMMERCIAL ORANGE JUICERS

SALES DESCRIPTION

Hand-operated citrus juice squeezer with an hourly output of up to 200 oranges.

- ✓ Stainless steel body.
- ✓ Hand operated.
- ✓ Easy to use and clean.
- ✓ Durable.
- ✓ For all types of establishments

OPTIONAL

- Outer stainless steel strainer Ø 14mm.
- Stainless steel decanter.

ACCESSORIES

- Outer strainer
- Stainless steel decanter

SPECIFICATIONS

Production oranges/hour: 200
 Total loading: 130 W
 Electrical supply: 230 V / 50 Hz / 1 ~ (1.1 A)
 Plug: EU (SCHUKO 2P+G)

External dimensions (WxDxH)

- ✓ Width: 200 mm
- ✓ Depth: 280 mm
- ✓ Height: 340 mm

Crated dimensions

300 x 300 x 445 mm
 Gross weight: 9 Kg



product sheet
updated 06/06/2023



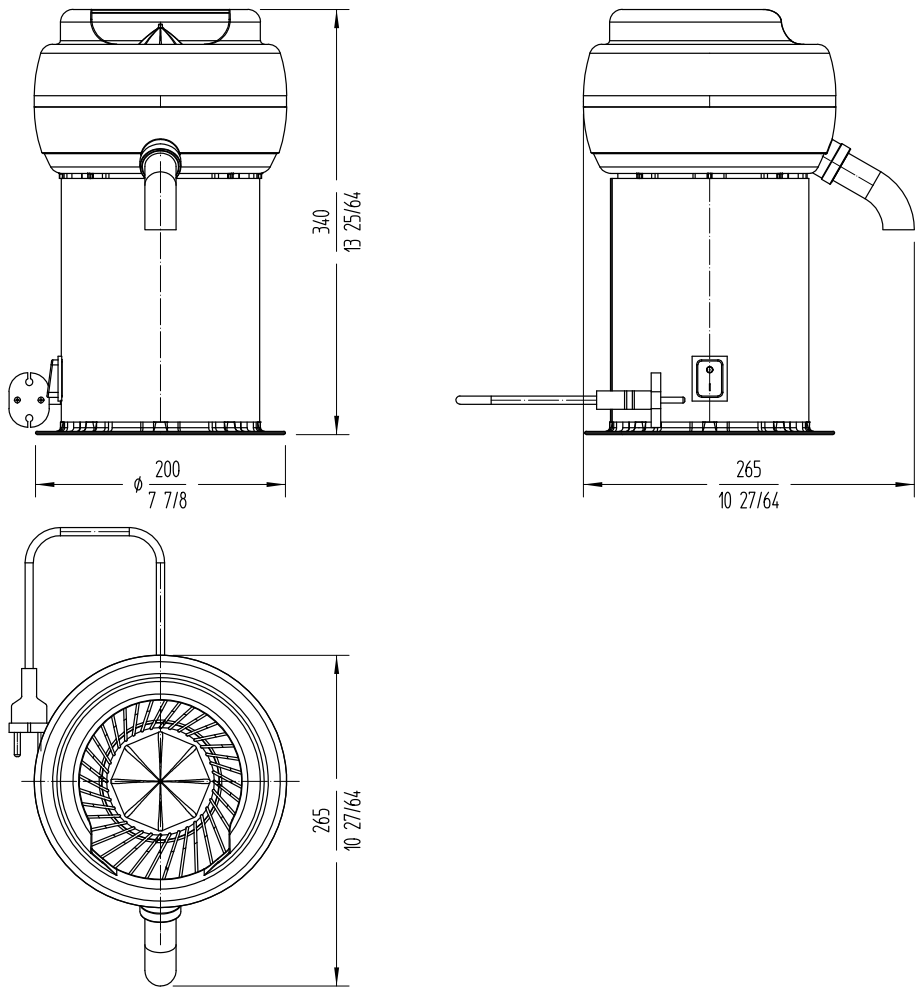
CITRUS JUICE EXTRACTOR ECM 230/50/1

Hand-operated citrus juice squeezer.



3420030

SNACK BAR-PIZZERIA
COMMERCIAL ORANGE JUICERS



www.sammic.co.uk
Food Service Equipment Manufacturer
 Unit 2, Trevanah Road
 Troon Industrial Park
 LE4 9LS - Leicester
uksales@sammic.com
 Tel.: +44 0116 246 1900

Project	Date
Item	Qty
Approved	

product sheet updated 06/06/2023