



Installation, Operating and Servicing Instructions

Electric Convection Oven ECO8, ECO9

Please make a note of your product details for
future use:

Date Purchased: _____

Model Number: _____

Serial Number: _____

Dealer: _____

CONTENTS

Important Information	2
Warnings and Precautions	3
Technical Data	3
Checklist of Enclosures	3
Installation and Commissioning	3-5
Operating Instructions	5-7
Cleaning	7
Servicing, Maintenance and Component Replacement	8-9
Fault Finding	9
Spare Parts List	10
Accessories	11
Service Information and Guarantee	12

IMPORTANT INFORMATION



Read these instructions carefully before using this product, paying particular attention to all sections that carry warning symbols, caution symbols and notices. Ensure that these are understood at all times.



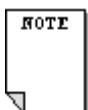
WARNING!

This symbol is used whenever there is a risk of personal injury.



CAUTION!

This symbol is used whenever there is a risk of damaging your Lincat product.



NOTE:

This symbol is used to provide additional information, hints and tips.

KEEP THIS MANUAL FOR FUTURE REFERENCE

WARNINGS AND PRECAUTIONS



This appliance must be installed, commissioned and serviced by a qualified person in accordance with national and local regulations in force in the country of installation.

If the supply cord is damaged, it must be replaced by the manufacturer, its service agent or similarly qualified person.

Ensure that the plug/socket is accessible at all times.

Strip plastic coating and clean the appliance before use.

During operation parts may become hot - avoid accidental contact.

Disconnect this appliance before servicing, maintenance or cleaning.

TECHNICAL DATA

Model	Height (mm)	Width (mm)	Depth (mm)	Weight (kg)
ECO8	570	790	700	68
ECO9	650	765	810	75

CHECK LIST OF ENCLOSURES

Warranty Card
Instructions Manual
Shelves (3 off ECO8, 4 off ECO9)
Water connection hose

INSTALLATION AND COMMISSIONING

This appliance must be earthed.



An equipotential bonding terminal is provided to allow cross bonding with other equipment.

If replacing the plug connect the terminals as follows:

Green and Yellow wire	Earth	E
Blue wire	Neutral	N
Brown wire	Live	L

Means of isolation with at least 3mm contact separation in all poles must be incorporated into the fixed wiring of the ECO9.

The fixed wiring insulation must be protected by insulated sleeving having a temperature rating of 60 Deg C.

Supply cords shall be oil resistant, sheathed flexible cable not lighter than ordinary polychloroprene or equivalent elastomer sheathed cord (code 60245 IEC 57)

Install this appliance on a level surface ensuring all vents are unobstructed. Any partitions, walls or furniture must be of non-combustible material. Minimum distances A 100mm B 1000mm – see Fig 1. Leave 100mm clearance at the back, as the flue is rear facing.

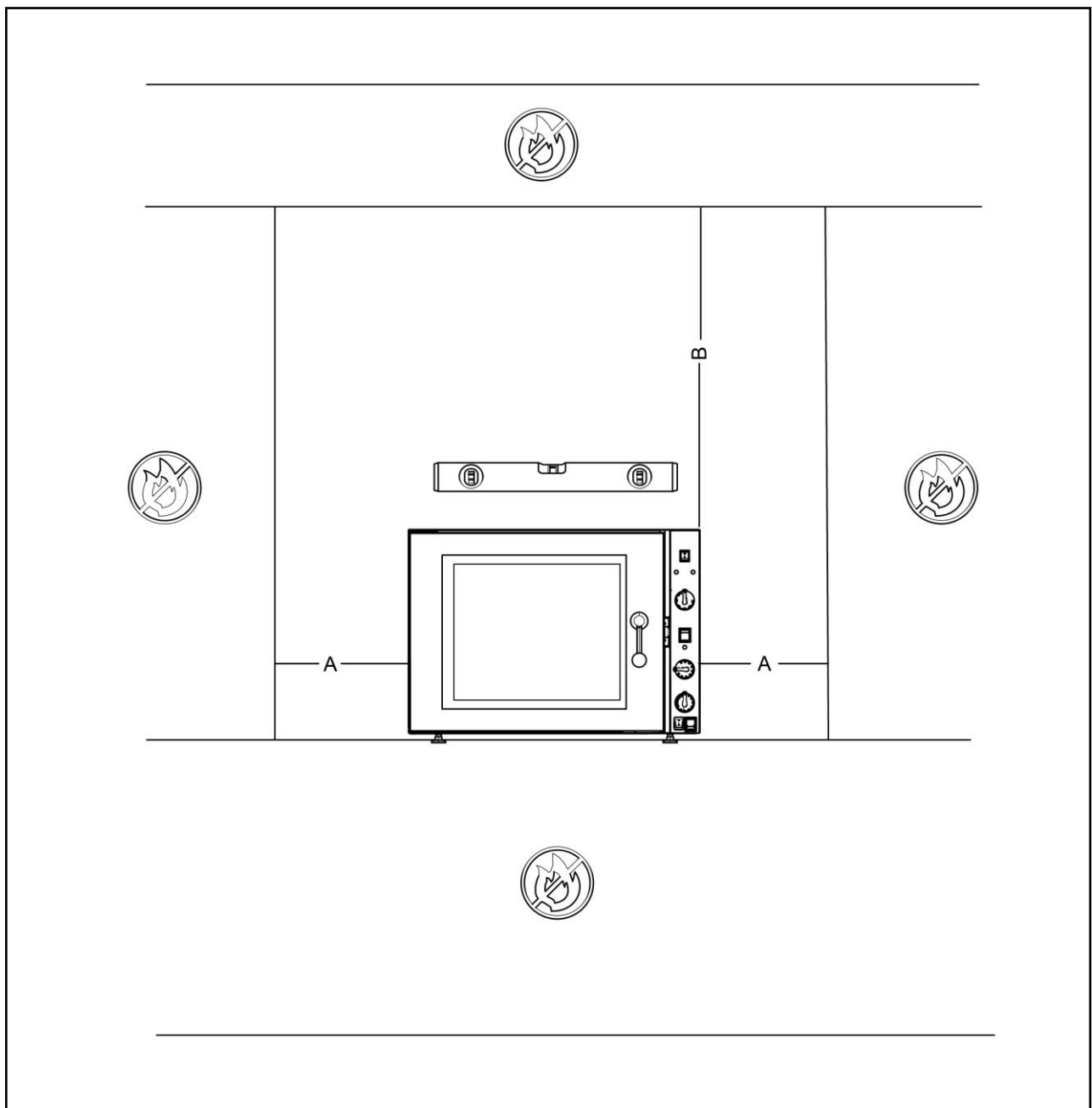


Fig 1

Model ECO8 is fitted with a 3 pin plug for connection to a standard switched socket. Model ECO9 must be connected by a qualified electrician (see power ratings).

The ECO9 electrical inlet (A) and water supply valve (B) are shown in Fig 2. The ECO8 has the water supply valve on the opposite side. The water supply pressure must be from 0.2-10 bar (20kPa-1,000kPa). Screw one end of the connection hose to the back of the oven and the other to your water supply tap. Use the hose set supplied with the appliance – old hose sets are not to be re-used.

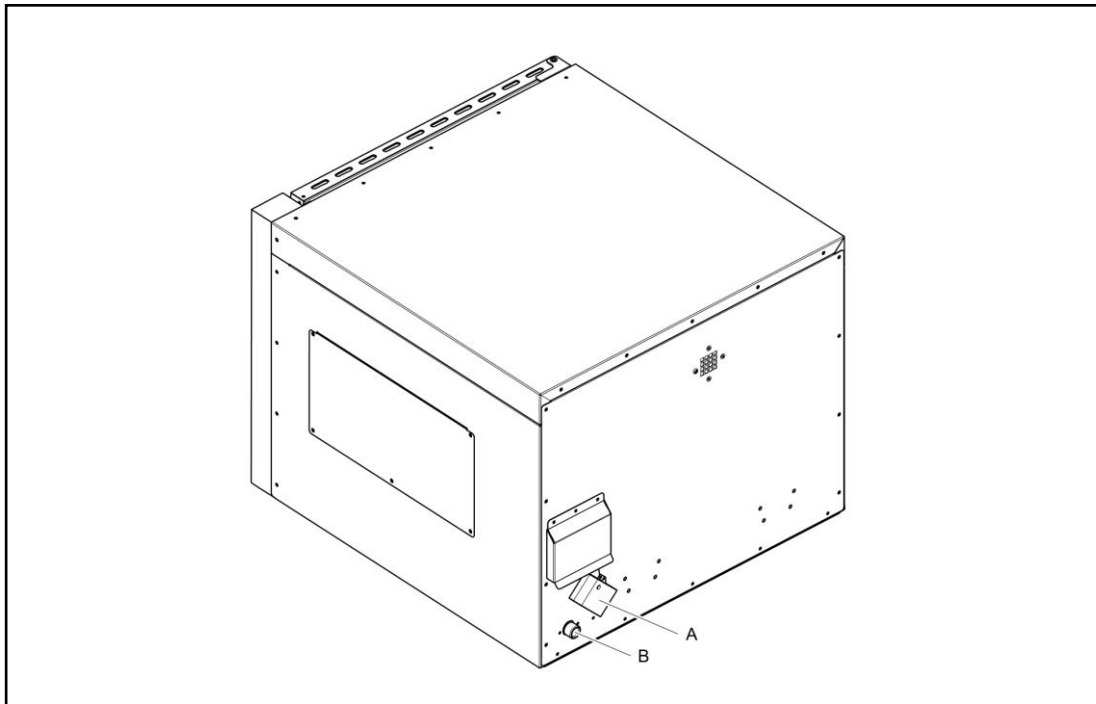


Fig 2

Power Ratings

ECO8	3.0kW
ECO9	7.5kW

OPERATING INSTRUCTIONS

Only qualified or trained personnel should use this appliance.

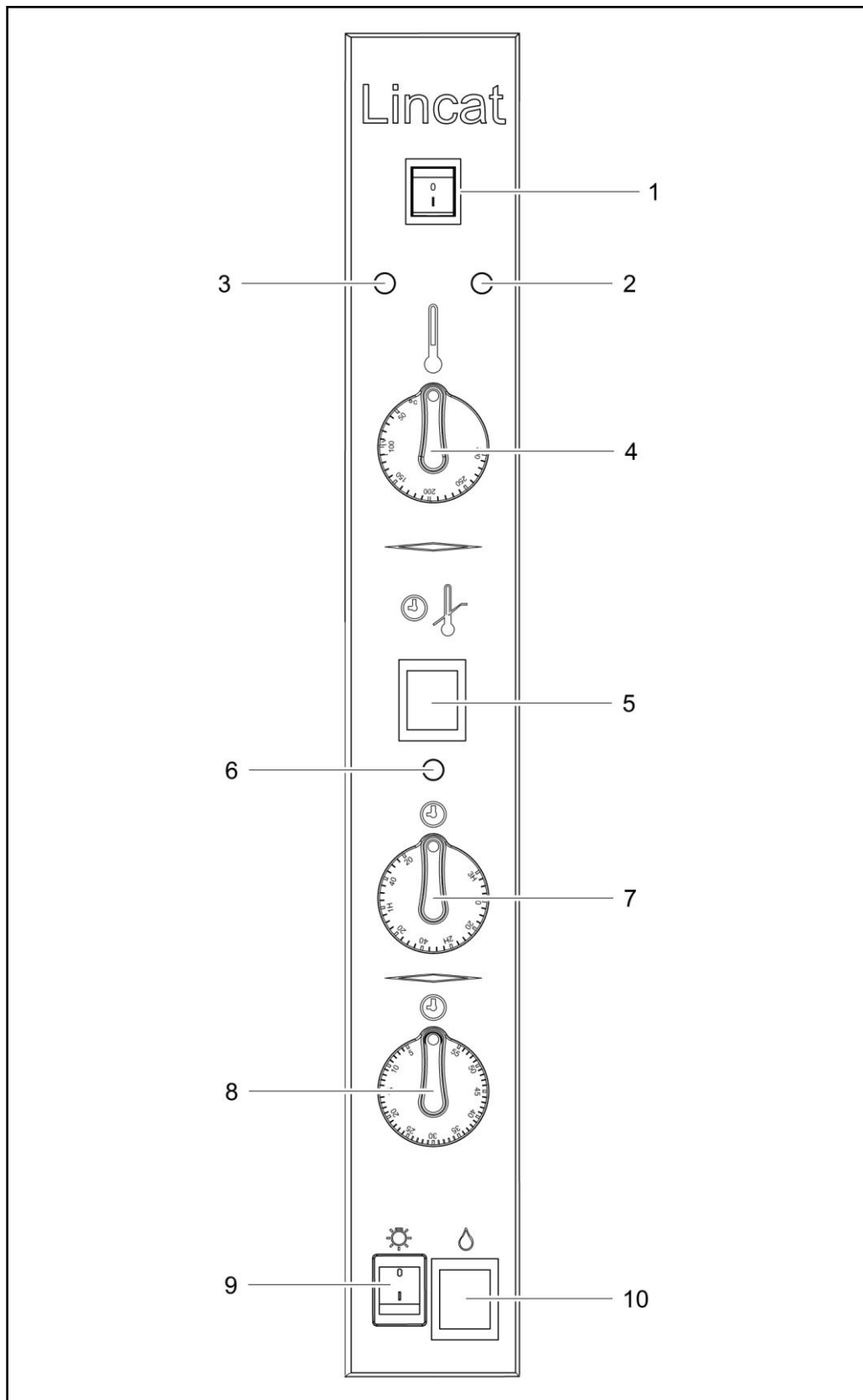


Fig 3

1. On/Off switch 2. Power supply indicator 3. Oven temperature indicator 4. Temperature control knob 5. Cook and hold switch 6. Cook and hold indicator 7. Cook and hold timer 8. 60 minute timer 9. Interior light switch 10. Water injection switch

Cooking

(Fig 3)

Connect the appliance to the electricity supply. The green neon (2) illuminates indicating power to the appliance.

Turn the mains switch (1) on.

Turn the control knob (4) to the required temperature.

The amber neon (3) goes out when the oven reaches temperature.

Cook and hold function

Switch the cook and hold switch (5) on – the cook and hold indicator (6) illuminates.

Set the timer (7) to the required cooking time. After the time set has elapsed, the oven cools to 80°C and maintains this temperature until switched off.

Additional functions

The light switch (9) operates the interior light.

The water injection switch (10) sprays water into the oven to create steam.

The 60 minute timer knob (8) rings when the set time has elapsed.

CLEANING



Do not use a water jet or steam cleaner, and do not immerse this appliance.

Clean all panels with warm water and mild detergent, do not use abrasive materials. Dry with a soft cloth.

Avoid damaging the thermostat bulbs inside the oven when cleaning.

Carb'n Off or a similar cleaner may be used.

To assist cleaning remove shelf supports – see Servicing.

SERVICING, MAINTENANCE AND COMPONENT REPLACEMENT

Door inner glass

Slide the glass up and out of the lower clamps, slide down to remove from upper clamps.

Slide new glass into lower clamps. Clip into top clamps.

Light bulb

Carefully remove the glass cover using a flat bladed screwdriver. Unscrew the bulb.

Fit new bulb and replace cover.

Shelf racks

(Fig 4 – Door removed for clarity)

To remove shelf racks, swivel locking tabs (A) and lift rack upwards. Lift the rack free from lower retaining pins, then tilt bottom inwards and lower from top retaining pins to remove.

Refit by sliding rack upwards onto upper retaining pins, then pull down over lower retaining pins. Secure by swivelling locking tabs down.

On ECO9, use inner pins for shelves, outer pins for standard baking trays.

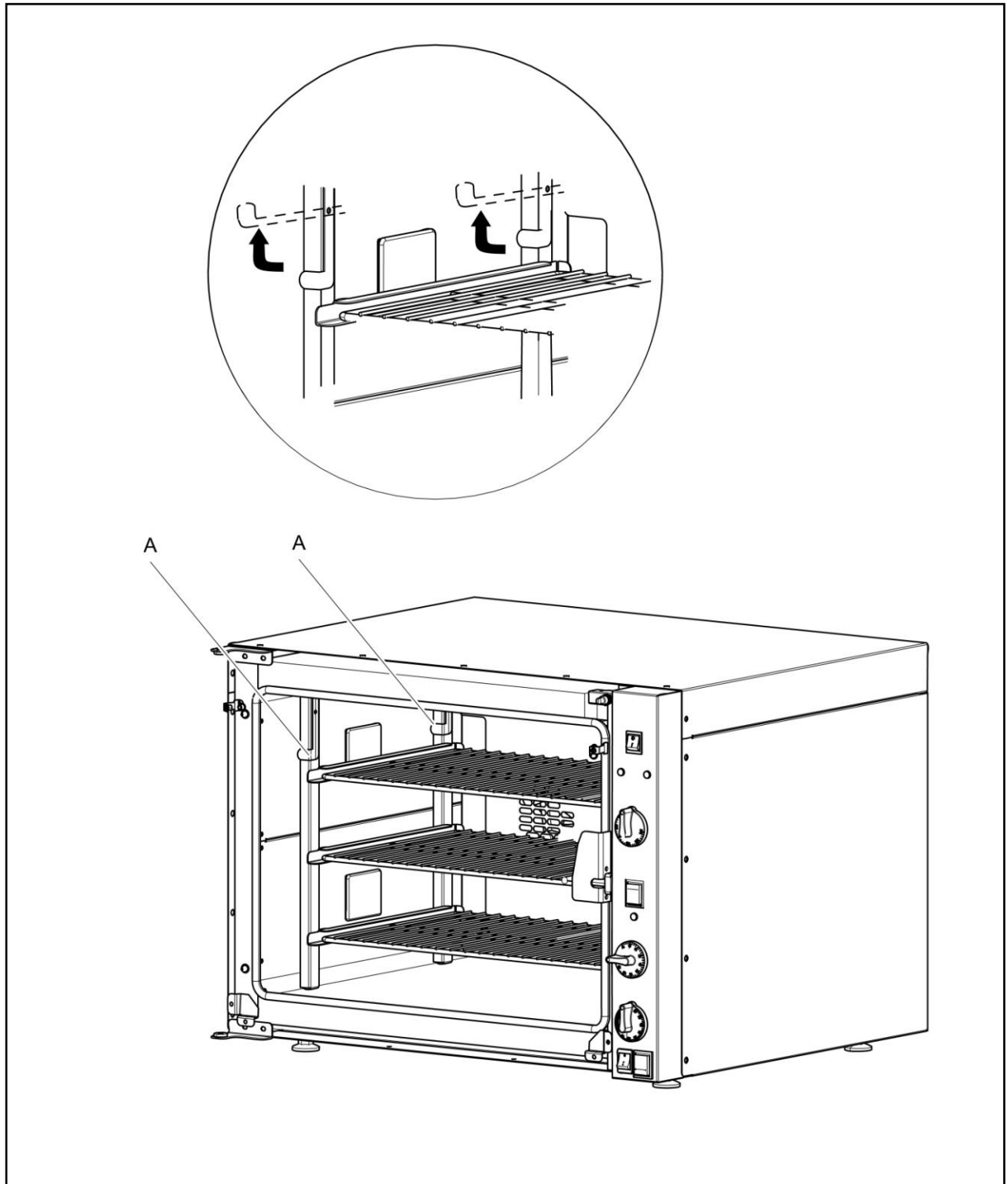


Fig 4

FAULT FINDING

Please refer to the Service Help Desk number on the final page of this manual.

SPARE PARTS LIST

Part Number	Description	Used on
BU81	Bush – parking lever	ECO8, ECO9
CO215	Contactora	ECO9
EL141	Side element	ECO9
EL190	Base element	ECO9
EL236	Element	ECO8
FA102	Fan blade	ECO9
FA106	Fan	ECO8
FA12	Fan	ECO9
FE10	Foot	ECO8, ECO9
GL205	Inner glass	ECO8
GL503	Inner glass	ECO9
KN246	Door handle knob	ECO8, ECO9
KN247	60 minute timer knob	ECO8, ECO9
KN248	180 minute timer knob	ECO8, ECO9
KN249	Thermostat knob	ECO8, ECO9
LA14	Light assembly	ECO8, ECO9
NE42	Green neon	ECO8, ECO9
NE43	Amber neon	ECO8, ECO9
PI12	Inlet connection hose	ECO8, ECO9
PL202	Plug and lead	ECO8
SE05	Door seal	ECO9
SE76	Door seal	ECO8
SH109	Shelf	ECO8, ECO9
SO1	Solenoid valve	ECO8, ECO9
S/R0079	Cooling fan	ECO9
SW23	Rocker switch	ECO8, ECO9
SW32	Plunger microswitch	ECO8, ECO9
SW34	Changeover switch	ECO8, ECO9
SW35	Momentary switch	ECO8, ECO9
SW66	Switch – black/green	ECO8, ECO9
TE10	Terminal block - small	ECO9
TE45	Terminal block – 3 phase	ECO9
TH107	Thermostat	ECO8, ECO9
TI34	180 minute timer	ECO8, ECO9
TI37	60 minute timer	ECO8, ECO9
TH63	Cut out thermostat	ECO9

ACCESSORIES

Part Number	Description	Used on
ECO8/FS	Floor stand – 12 runners for 1/1 GN	ECO8
ECO9/FS	Floor stand – 12 runners for 1/1 GN	ECO9
ECO8/LFS	Low floor stand – 4 runners for 1/1 GN	ECO8
ECO9/LFS	Low floor stand – 4 runners for 1/1 GN	ECO9
ECO9/FSBT	Baking tray compatible floor stand	ECO9
*ECO8/SK	Stacking kit	ECO8
*ECO9/SK	Stacking kit	ECO9

* Important: For stability, matching low level floor stands ECO8/LFS or ECO9/LFS **must** be used with stacking kits.

SERVICE INFORMATION

For help with the installation, maintenance and use of your **Lincat** equipment, please contact our service department:

☎ UK: 01522 875520

For non-UK customers, please contact your local Lincat dealer

All service work, other than routine cleaning should be carried out by one of our authorised service agents. We cannot accept responsibility for work carried out by other persons.

To ensure your service enquiry is handled as efficiently as possible, please tell us:

- Brief details of the problem
 - Product code
 - Type number
 - Serial number
- } All available on serial plate

Lincat reserve the right to carry out any work under warranty, given reasonable access to the appliance, during normal working hours, Monday to Friday, 08:30 to 17:00.

GUARANTEE

This unit carries a comprehensive UK mainland 2 year warranty. The guarantee is in addition to, and does not diminish your statutory or legal rights.

The guarantee does not cover:

- Accidental damage, misuse or use not in accordance with the manufacturer's instructions
- Consumable items (such as filters, glass, bulbs, slot toaster elements and door seals.)
- Damage due to incorrect installation, modification, unauthorised service work or damage due to scale, food debris build-up, etc.

The manufacturer disclaims any liability for incidental, or consequential damages. Attendance is based on reasonable access to the appliance to allow the authorised technician to carry out the warranty work.

Service calls to equipment under warranty will be carried out in accordance with the conditions of sale. Unless otherwise specified, a maximum of 15 minutes of administrative time, not spent directly carrying out servicing work, is provided for within the warranty. Any requirement for staff attending the call to spend greater time than 15 minutes due to administrative requirements, such as on health and safety risk assessments, will be chargeable at the prevailing rate.