



COMMERCIAL ORANGE JUICER ECP

Lever operated citrus juice squeezer



FEATURES AND BENEFITS

- ✓ Stainless steel body.
- ✓ Lever operated.
- ✓ Easy to clean.

SALES DESCRIPTION

SNACK BAR-PIZZERIA
COMMERCIAL ORANGE JUICERS



www.sammic.co.uk
Food Service Equipment Manufacturer
 Unit 2, Trevanah Road
 Troon Industrial Park
 LE4 9LS - Leicester
uksales@sammic.com
Tel.: +44 0116 246 1900



Project	Date
Item	Qty
Approved	

product sheet
updated 06/03/2018



COMMERCIAL ORANGE JUICER ECP

Lever operated citrus juice squeezer



SPECIFICATIONS

Production oranges/hour: 200

Total loading: 130 W

External dimensions (WxDxH)

✓ Width: 200 mm

✓ Depth: 300 mm

✓ Height: 370 mm

Net weight: 8 Kg

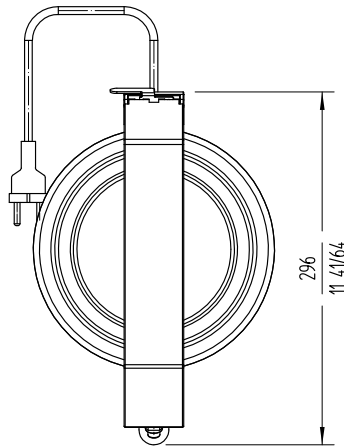
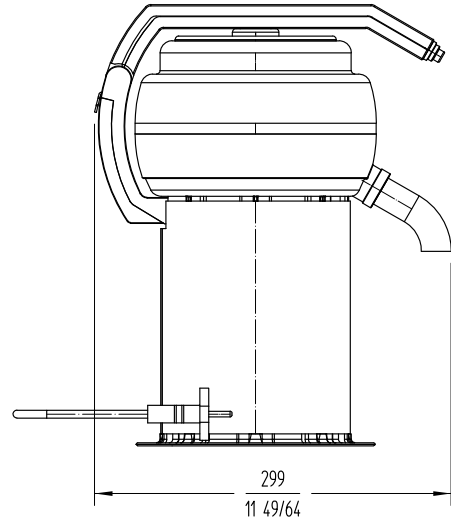
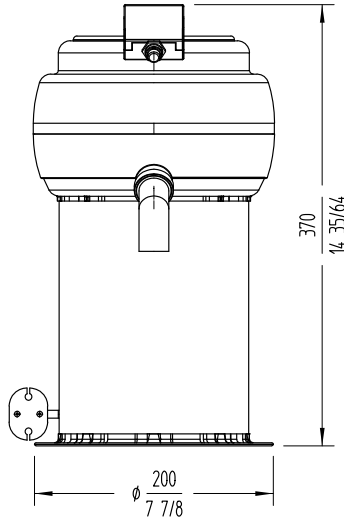
Noise level (1m.): 60 dB(A)

Background noise: 25 dB(A)

Crated dimensions

300 x 300 x 445 mm

Gross weight: 9.8 Kg.



AVAILABLE MODELS

3420033 Citrus juice extractor ECP 230/50/1

* Ask for special versions availability

ACCESSORIES

Outer strainer

Stainless steel decanter

SNACK BAR-PIZZERIA
COMMERCIAL ORANGE JUICERS



www.sammic.co.uk

Food Service Equipment Manufacturer

Unit 2, Trevanah Road

Troon Industrial Park

LE4 9LS - Leicester

uksales@sammic.com

Tel.: +44 0116 246 1900



Project

Date

Item

Qty

Approved

product sheet
updated 06/03/2018