

MODEL: EEVMC3 EEVMC4 **DROP-IN: Multi-deck with fitted night-curtain**



EEVMC3

General Strengths

- ✓ *The control system has a greater precision in the control of the temperature. Easier to adjust the temperature range we want to achieve.*
- ✓ *All condenser units are tested 100%, in helium chambers to refrigerant leak detections.*
- ✓ *Highly efficient LED lighting incorporated.*
- ✓ *Infrico is AENOR audited and certified by internationally recognized firm. ISO 9001:2015 (Quality); ISO 14001:2015 (Environmental); OSHAS 18001:2007 (Prevention and Worker Safety). Audited and Certified by INTERTEK for compliance with UL 471 and NSF 7.*

Review: 01 Date: 28/08/2018 EEVMC3, EEVMC4_FT_En_0.1

| MODELS | Dimensions (mm) | | | Nº Buckets | Chamber Volume (L) | Gross Volume (L) | Power (W) | Temperature reime (°C) | Ref. | Gas charge (gr.) | Net Weight (Kg.) |
|--------|-----------------|-------|--------|------------|--------------------|------------------|-----------|------------------------|-------|------------------|------------------|
| | Length | Depth | Height | | | | | | | | |
| EEVMC3 | 1135 | 765 | 1634 | 3 | 177 | 1476 | 1269 | +4 °C/+12 °C | R452A | 800 | 150 |
| EEVMC4 | 1455 | 765 | 1634 | 4 | 237 | 1892 | 1422 | +4 °C/+12 °C | R452A | 900 | 196 |

WE RESERVE THE RIGHT TO CHANGE SPECIFICATIONS WITHOUT PRIOR NOTICE


MODEL: EEVMC3 | EEVMC4 | DROP-IN: Multi-deck with fitted night-curtain

STANDARD FEATURES

- **Refrigerated elements for storing and displaying cold products or drinks.**
- **Shelves**
 - (3) shelf display cabinet.
- **Exterior**
 - AISI 304 Series Stainless Steel,
 - Recessed measures 1100 x 690 (mm) (EEVMC3) and 1420 x 690 mm (EEVMC4).
- **Trays**
 - Refrigerated tank with capacity for 3 or 4 trays GN 1/1 with maximum depth of 150 mm.
 - Does not include upper mounts or GN ice trays.
- **Interior**
 - AISI 304 Series Stainless Steel.
 - LED Lighting.
 - Drain inside the cabinet.
- **Refrigeration**
 - Temperature and automatic defrost regulated by a digital controller,
 - System of Ventilated Condensation,
 - System of Forced Evaporation,
 - Evaporative pan,
 - Evaporator coil coated with anti-corrosion material,
 - Climate class 4 (30°C, 55HR).
- **Insulation**
 - Insulation by free CFC's polyurethane foam high-pressure injected with density 40 Kg/m³,
 - Zero ODP and Low GWP.

OPTIONAL

- Upper mounts,
- GN ice trays
- Electrical connection 230 V / 1 ph / 60 Hz,
- Electrical connection 115 V / 1 ph / 60 Hz.

- **Electrical**
 - Electrical connection: 230 V / 1 ph / 50 Hz 

Review: 01 Date: 28/08/2018 EEVMC3, EEVMC4_FT_En_0.1

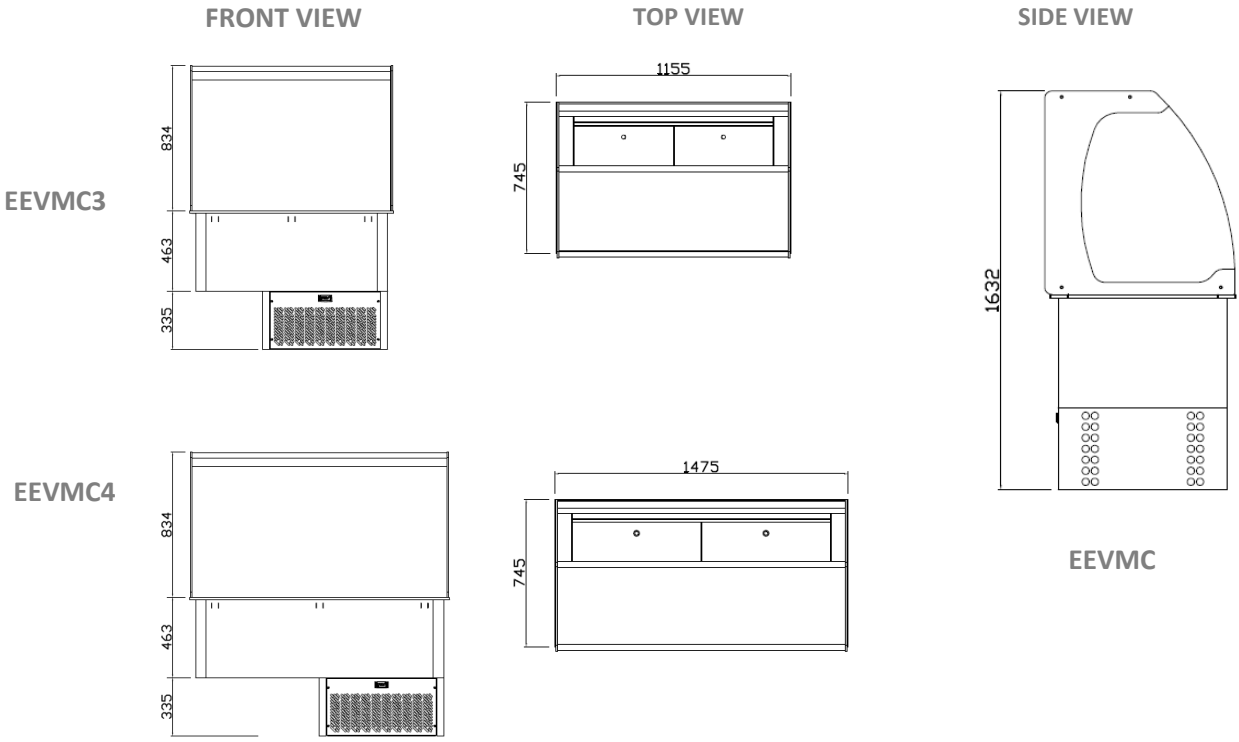
| MODELS | Dimensions Palletizing (mm) | | | Crated Weight (Kg.) | Comp. (HP) | Cooling Power (W at -10°C) | Consumption (kWh/24h) | Inten. (A) | Container 20' / 40' / 40'HC | Trailer |
|--------|-----------------------------|-------|--------|---------------------|------------|----------------------------|-----------------------|------------|-----------------------------|---------|
| | Length | Depth | Height | | | | | | | |
| EEVMC3 | 1235 | 865 | 1800 | 184 | 1/3 | 1285 | 11,4 | 2,81 | 11 / 23 / 23 | 26 |
| EEVMC4 | 1555 | 865 | 1800 | 210 | 1 | 1840 | 13,4 | 5,7 | 7 / 15 / 15 | 23 |

WE RESERVE THE RIGHT TO CHANGE SPECIFICATIONS WITHOUT PRIOR NOTICE



MODEL: EEVMC3 EEVMC4 DROP-IN: Multi-deck with fitted night-curtain

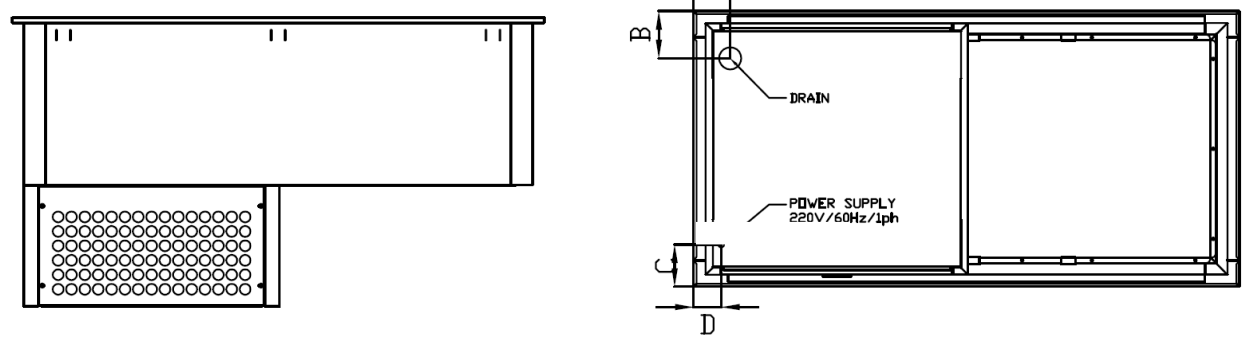
GENERAL VIEW



Review: 01 Date: 28/08/2018 EEVMC3, EEVMC4_FT_En_0.1

CONNECTIONS

| MODELS | A (mm) | B (mm) | C (mm) | D (mm) |
|--------|--------|--------|--------|--------|
| EEVMC3 | 99 | 128 | 114 | 74 |
| EEVMC4 | 99 | 128 | 114 | 74 |



WE RESERVE THE RIGHT TO CHANGE SPECIFICATIONS WITHOUT PRIOR NOTICE