

Tumble dryer

QuickDry QDC

Features and benefits

- A knob for simple programme selection and start
- Large, clear display
- Time and temperature selection for flexible use
- Residual Moisture Control for an accurate drying result and a low energy consumption
- Reversing drum for less tangling of large items
- Anti-wrinkle function prevents wrinkling of textiles if the dryer is not emptied
- Stainless steel drum
- The door can be switched from left to right mounting
- Powder coated black front panel, side panels and top cover

Main options

- Stacking frame for mounting QuickDry QDC on top of QuickWash QWC
- Stainless plinth for raising the machine to a comfortable height, 290 mm
- QuickDry QDC is available as an evacuation dryer or condensation dryer



Images shown are a representation of the product only and variations may occur.

Main specifications		QuickDry QDC		Condense	
Rated capacity, filling factor 1:30	kg	4.3		4.3	
Rated capacity, filling factor 1:22	kg	6.0		6.0	
Drum volume	litre	130		130	
Drum diameter	mm	575		575	
Heating alternatives electric	kW	5.1 / 3.2		3.0	
Consumption data*		1:22	1:30	1:22	1:30
Total time full load	min	37 / 64	27 / 47	69 / 76	50 / 55
Energy consumption, full load	kWh	3.1	2.3	3.5	3.0
Evaporation	g/min	81 / 46	81 / 46	43 / 39	43 / 39

* At rated capacity 100% cotton load at 50% initial moisture dried to 0%.

Produced according to ISO 9001 and ISO 14001.

Certified with CB certificate for Low Voltage Directive and S-mark according to the Machinery Directive. Protection class IP X4D.

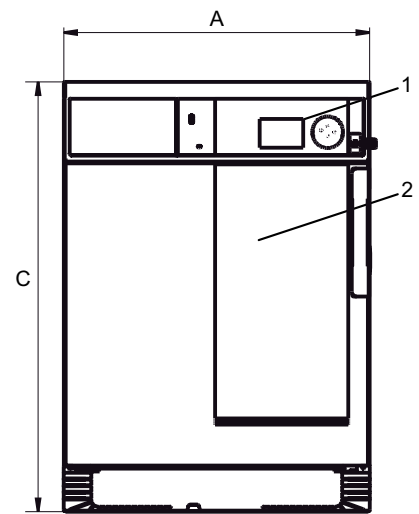
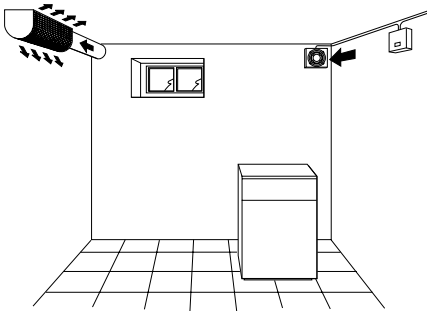
Electrical connections					
Heating alternative	Main voltage		Heating power kW	Total power kW	Recommended fuse A
	Hz				
Electric heated QuickDry QDC	220-230V 1 -	50/60	3.1	3.3	16
	240V 1 -	50/60	3.2	3.5	16
	220-230V 3 -	50/60	3.1	3.3	16
	240V 3 -	50/60	3.2	3.5	16
	220-230V 3 -	50/60	4.9	5.1	16
	240V 3 -	50/60	5.1	5.4	16
	380-400V 3 -	50/60	4.9	5.1	10
	415V 3 -	50/60	5.1	5.3	10
	440V 3 -	60	5.1	5.4	10
	480V 3 -	60	5.1	5.3	10
Condense	380-400V 3N -	50/60	4.9	5.1	10
	440V 3 -	60	3.0	3.4	10
	380-400V 3N -	50/60	3.0	3.3	10
	220-230V 3 -	50/60	2.9	3.3	10

Connections		QuickDry QDC	Condense
Air outlet	mm	∅ 100	-
Evacuated air, el (5.1 kW)	m ³ /h	260	-
Evacuated air, el (2.9 kW)	m ³ /h	200	-
Condensate		-	1/2"
Pressure drop	Max. Pa	50	-
Sound levels			
Sound power/pressure level at drying*	dB(A)	67/53	69/55
Heat emission			
% of installed power, max		15	*
Shipping data**			
Shipping volume	net, kg m ³	58 0.51	57 0.63
Accessories			
Stacking frame for mounting QuickDry QDC on top of QuickWash QWC		x	x
Stainless steel base frame 290 mm		x	x
Dimensions in mm			
A Width		597	597
B Depth		725	725
C Height		839	839
D		138	138
E		50	50
F		89	89
G		200	200

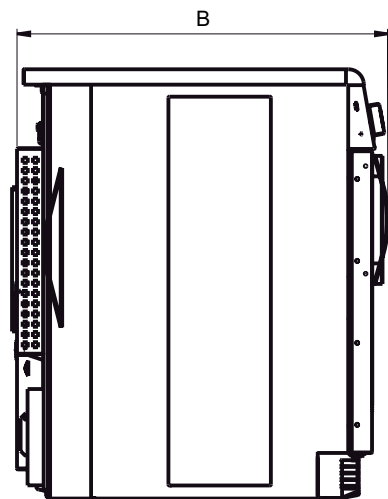
* Sound power levels measured according to ISO 60704.
 ** Average data. Grated weight/shipping volume depends on configuration. Please contact logistics for exact measures.

Ventilation QuickDry with condensation unit

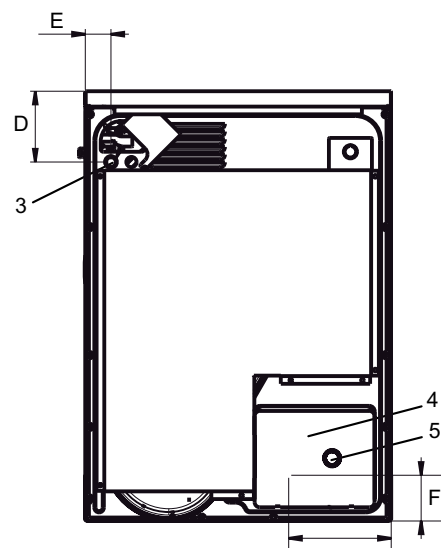
The energy used to dry your washing ends up in the room in the form of heat. This is why the room becomes too hot and requires ventilation when the tumble dryer is used. An air change rate of 400 m³/h is required with an outdoor temperature of 0 °C and a desired room temperature of 20-25 °C. A thermostat-controlled fan - part No. 9888020-43 - is available as an optional extra. The fan and fresh air intake are positioned as shown in the illustration. The advantage of condensation dryers is that you do not have to evacuate fluff gathered and moist air.



Front



Left side



Rear side