

Egg Station with Dual Zone | ESDZ



Easily serve freshly cooked breakfast items to customers throughout the day with the Egg Station with Dual Zone. The new ESDZ-1200 features two independent cooking zones that allow operations to easily and quickly prepare eggs throughout the day.

The ESDZ-1200 has a heated, machined grill surface to cook the eggs while the non-stick rings give the product its shape. Steam is created under the pivoting cover that is lowered over the rings. As water is poured into the troughs on the cover, it drips down onto the platen, which produces steam to keep the eggs moist as they cook.

The new design separates the grill surface into two areas for cooking smaller batches of eggs independent of one another. Whether it's four eggs, two eggs, or even an individual order, the new ESDZ-1200 cooks great-tasting breakfast products throughout the day.

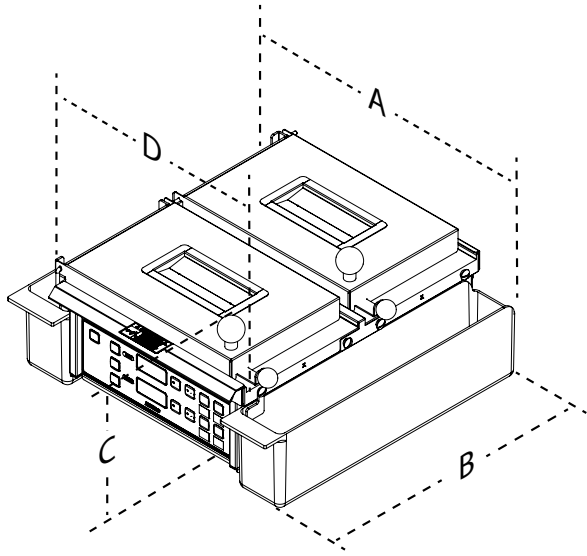
FEATURES

- Split cover with rear and front areas allow operations to cook small batches of eggs.
- Independent heating element with temperature control for the front and rear areas.
- Provides operations with flexibility to fill any volume of breakfast orders throughout the day.
- Timer features two channels that each include four pre-programmed cook times to handle a variety of different products.
- Small footprint to easily fit into any operation.
- Quickly cook up to 12 eggs for breakfast items without taking up valuable grill space.
- Machined grill surface for ease of cleaning.
- Supplied with non-stick egg rings.
- Four adjustable legs for an even grill surface.
- Audio/visual signal for operation.



Egg Station with Dual Zone | ESDZ

Dimensions



Electrical Ratings and Plug Configuration

Model & Mfg. No.	Volts	Watts	Amps	Plug Description
ESDZ-1200 9300633	200-240~	3000	15/12.5	NEMA L6-20P
ESDZ-1200 9300636	200-240~	3000	15/12.5	IEC-309

Model & Mfg. No.	Width (A)	Depth (B)	Height (C)	Width (D)
ESDZ-1200 9300633 9300636	18" (457 mm)	18 29/32" (480 mm)	8 15/16" (227 mm)	12 3/4" (324 mm)

P/N 1020469 02/17