



## SAFETY & OPERATING INSTRUCTIONS



### EDLUND TOMATO LASER, Models ETL -316, -140 & -380

#### **⚠ WARNING**

**READ AND UNDERSTAND THIS MANUAL AND ALL INSTRUCTIONS BEFORE OPERATING THIS SLICER.**



**Edlund** *We're in your kitchen.™*

159 Industrial Parkway, Burlington, VT 05401, USA 800-772-2126 [www.edlundco.com](http://www.edlundco.com)

## Table of Contents

<b>CHAPTER 1 - INTRODUCING THE EDLUND TOMATO LASER .....</b>	<b>1</b>
Conventions used in this manual .....	1
Specifications for the Edlund TOMATO LASER, Models ETL-316, -140 & -380 .....	2
<b>CHAPTER 2 - GENERAL SAFETY RULES.....</b>	<b>3</b>
Labels .....	3
Operating the Slicer Safely.....	4
Additional Information and Potential Changes.....	4
<b>CHAPTER 3 - OPERATING YOUR EDLUND TOMATO LASER.....</b>	<b>5</b>
Using the Edlund TOMATO LASER.....	5
Edlund TOMATO LASER Features.....	6
<b>CHAPTER 4 - MAINTAINING THE EDLUND TOMATO LASER .....</b>	<b>7</b>
Cleaning and Inspection .....	7
<b>CHAPTER 5 – TROUBLESHOOTING .....</b>	<b>8</b>
Troubleshooting Table.....	8
<b>CHAPTER 6 - PARTS LISTS, DIAGRAMS, AND WARRANTY .....</b>	<b>10</b>
Parts List - Edlund TOMATO LASER, Models ETL-316, -140 & -380.....	10
Exploded View - Edlund TOMATO LASER, Models ETL-316, -140 & -380.....	11
Warranty .....	12

## CHAPTER 1 - INTRODUCING THE EDLUND TOMATO LASER

---

This manual will help you set up and safely operate your new Edlund TOMATO LASER. Careful adherence to the safety and operating instructions in this manual will ensure many years of productive use. Please let us know of any questions you may have. To expedite your call, please have your serial number and/model number handy. **For technical assistance, please call Toll-Free 1-800-772-2126 and one of our Technical Support Representatives will be happy to help you.**

### *Conventions used in this manual*



**THIS INDICATES A POTENTIALLY HAZARDOUS SITUATION, WHICH, IF NOT AVOIDED, COULD RESULT IN MINOR OR MODERATE INJURY.**

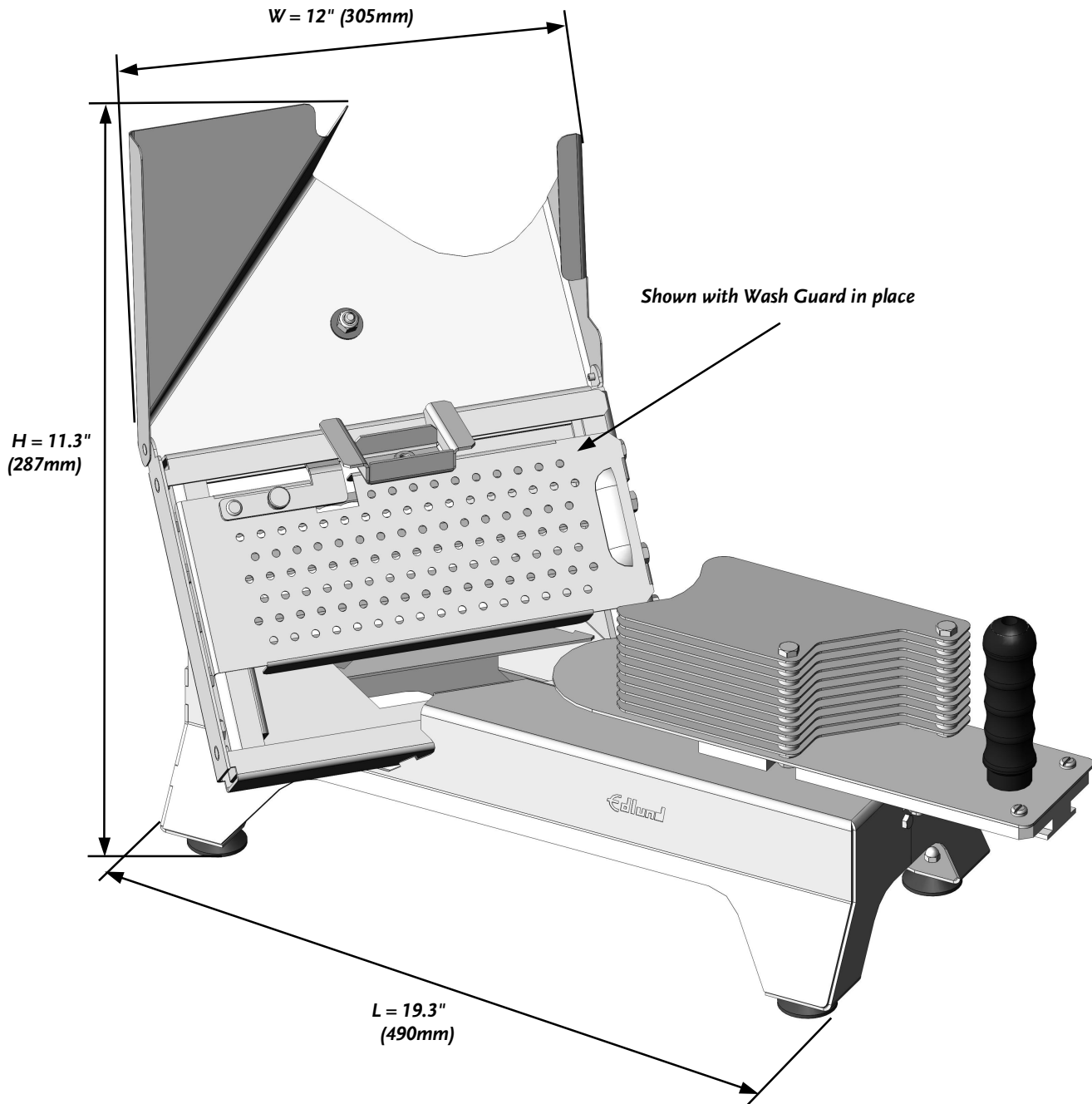
---

**NOTE:** *This information may be helpful to you.*

**Tip:** This is a helpful hint to guide you in getting the most out of your Edlund TOMATO LASER.

**Specifications for the Edlund TOMATO LASER, Models ETL-316, -140 & -380**

Model Number ETL-316	3/16" Slice (5mm)
Model Number ETL-140	1/4" Slice (6.5mm)
Model Number ETL-380	3/8" Slice (10mm)



**Figure 1**

## CHAPTER 2 - GENERAL SAFETY RULES

---

### **⚠ WARNING**

**READ THIS SAFETY AND OPERATING MANUAL BEFORE YOU USE THE EDLUND TOMATO LASER. BECOME FAMILIAR WITH THE SERVICE RECOMMENDATIONS TO ENSURE THE BEST PERFORMANCE FROM YOUR SLICER.**

---

### *Labels*

Your Edlund TOMATO LASER carries prominent labels as reminders for its proper and safe use. Shown below are copies of all the labels that appear on the equipment. Take a moment to study them and make a note of their location on your Edlund TOMATO LASER *before* you operate the Slicer. Replace damaged or missing safety and information labels immediately.



**WARNING #L316**



**Read Manual #L228**



**Cut Hazard #L229**

## Operating the Slicer Safely

### **WARNING**

YOU MUST OPERATE THE SLICER SAFELY. UNSAFE OPERATION MAY RESULT IN A NUMBER OF HAZARDOUS CONDITIONS. THIS SLICER CAN CUT, AND SEVER PARTS OF YOUR BODY IF THEY BECOME CAUGHT BETWEEN THE BLADES AND THE PRODUCT BEING SLICED. ALWAYS TAKE THE FOLLOWING PRECAUTIONS WHEN USING THIS SLICER:

- NEVER ALLOW PEOPLE WHO ARE UNFAMILIAR WITH THESE INSTRUCTIONS TO USE THE SLICER.
- NEVER ALLOW CHILDREN TO OPERATE THE SLICER.
- ALWAYS OPERATE THE SLICER FROM DIRECTLY IN BACK OF THE SLICER WITH THE SAFETY GUARD SECURED IN PLACE.
- ALWAYS OPERATE THE SLICER WITH TWO HANDS; ONE ON THE SAFETY GUARD KNOB AND ONE ON THE PUSHER HANDLE.
- ALWAYS USE THE WASH GUARD TO REMOVE, REPLACE, INSTALL, AND DURING WASHING OF THE BLADE CARTRIDGE.
- IN CASE OF JAMMED PRODUCE IN THE BLADES AREA, USE EXTREME CAUTION WHEN DISLODGING.
- DO NOT ATTEMPT TO REMOVE JAMMED PRODUCE WITH BARE HAND. USE A KNIFE FROM THE REAR SIDE TO SLICE PRODUCE ALONG THE BLADES, AND THEN USE THE KNIFE TO PUSH THE PRODUCE THROUGH THE BLADE AREA FROM THE FRONT.
- WE RECOMMEND WEARING PROTECTIVE GOGGLES OR SAFETY GLASSES WITH SIDE SHIELDS WHILE SLICING PRODUCT TO PROTECT YOUR EYES FROM POSSIBLE SPLASHING OF LIQUID FROM THE PRODUCT.
- DO NOT, UNDER ANY CONDITIONS, REMOVE, BEND, CUT, FIT, WELD, OR OTHERWISE ALTER STANDARD PARTS ON THE EDLUND TOMATO LASER. MODIFICATIONS TO YOUR SLICER COULD CAUSE PERSONAL INJURIES AND WILL VOID YOUR WARRANTY.
- CHECK THE BLADES FOR WEAR, CRACKS, DENTS ANDS BENDS.
- DO NOT OPERATE THE SLICER WHEN UNDER THE INFLUENCE OF ALCOHOL, DRUGS, OR MEDICATION.
- INSPECT THE SLICER BEFORE AND AFTER OPERATING EACH DAY OR SHIFT AND AFTER ANY CHANGE OR ADJUSTMENT FOR:
  - ⇒ LOOSE SCREWS,
  - ⇒ ALL COVERS AND GUARDS ARE IN PLACE,
  - ⇒ DAMAGED OR WORN PARTS,
  - ⇒ BENT BLADES & PUSHERS,
  - ⇒ DAMAGED OR LOOSE BLADES,
  - ⇒ NO BROKEN WELDS AND,
  - ⇒ ASSURE THAT THE SLICER HAS RECEIVED A THOROUGH CLEANING.

**Tip:** Reference page 11 for Troubleshooting tips.

No list of Warnings and Cautions can be all-inclusive. If situations occur that are not covered by this manual, the operator must apply common sense and operate this Slicer in a safe manner.

### ***Additional Information and Potential Changes***

The Edlund Company reserves the right to discontinue, change, and improve its products at any time without notice or obligation to the purchaser. The descriptions and specifications contained in this manual were in effect at printing. Equipment described within this manual may be optional. Some illustrations may not be applicable to your Slicer.

## CHAPTER 3 - OPERATING YOUR EDLUND TOMATO LASER

---

This chapter covers the procedures for operating your new Edlund TOMATO LASER and discusses basic features. You may find it helpful to review the Features in **Figure 2** on page 6.

### **Using the Edlund TOMATO LASER**

1. Your Slicer has been configured to one of the following sizes: 3/16" (5mm), 1/4" (6.5mm) or 3/8" (10mm). Verify the Blades and Pusher match by checking the size stamp on both. Example: 3/16" Pusher goes with 3/16" Cartridge.

---

### **⚠ WARNING**

**USE CAUTION WHEN HANDLING THE BLADE CARTRIDGE, THE BLADES ARE VERY SHARP. ALWAYS HAVE THE WASH GUARD ATTACHED TO THE BLADE CARTRIDGE WHEN HANDLING.**

---

2. Make sure that the Stop Latch is in the down position (**Figure 2** on page 6).
3. Slide the Pusher Assembly to the rear of the Slicer.
4. Open the Cover by unscrewing the Locking Knob counterclockwise, orient the selected Blade Cartridge with the Wash Guard facing the Pusher and the Knurled Knob on the left then slide it into the Slicer from the right.
5. Make sure the Blade Cartridge Alignment Pins (**Figure 2** on page 6) are fully seated in the Housing by sliding the Cartridge all the way in to the left.
6. Remove the Wash Guard from the Blade Cartridge by unscrewing the Knurled Knob on the Wash Guard and rotating the Latch down. Lift the Wash Guard away while sliding it to the right to remove it from the Blade Housing (**Figure 2** on page 6).

7. Close the Cover and screw down the Locking Knob clockwise.

**NOTE:** *The Cover will not close until the Blade Cartridge is fully seated into the Slicer.*

8. Place a container at the front of the Slicer to receive the sliced tomato.

**NOTE 1:** *DO NOT operate the Slicer without the Cover secured closed (see step 7).*

**NOTE 2:** *The tomato should be de-stemmed and cored before slicing. For best results, use fresh, ripe tomatoes. Tomatoes should not exceed 3-1/2 inches (89cm) in diameter.*

9. Place a tomato (stem hole facing down) on the front plate of the Pusher Assembly.
10. With one hand on the Locking Knob and the other hand on the Pusher Assembly Handle, slide the Pusher Assembly all the way forward. The tomato slices will fall into the container.
11. Place another tomato on the Slicer and repeat as required.

**NOTE:** *Experience will dictate how fast you should slide the Pusher Assembly forward with a continuous fluid motion. Light, even pressure is all that is needed. Do not slam the Pusher Assembly forward.*

**TIP:** For fully ripe tomatoes; use less force. For less ripe tomatoes, use more force.



## Edlund TOMATO LASER Features

**NOTE:** The model shown in Figure 2 may look slightly different from your Slicer.



Figure 2



## CHAPTER 4 - MAINTAINING THE EDLUND TOMATO LASER

---

This chapter covers regular maintenance procedures that will ensure the best performance and long life of your Slicer. You should always clean the Slicer after every use.

### **WARNING**

**USE CAUTION WHEN HANDLING THE BLADE CARTRIDGE, THE BLADES ARE VERY SHARP. ALWAYS HAVE THE WASH GUARD ATTACHED TO THE BLADE CARTRIDGE WHEN HANDLING.**

---

### ***Cleaning and Inspection***

1. Rotate the Locking Latch (**Figure 2** on page 6) all the way counterclockwise and slide the Pusher Assembly back to remove it from the Slicer.
2. Open the Cover by turning the Locking Knob (**Figure 2** on page 6) counterclockwise to loosen the Cover.
3. Install the Wash Guard by positioning the extended flange end on the right side of the Blade Cartridge with the cutout over the two center Bolt Heads. Rotate the Latch until the Arm is seated inside the edge of the Blade Cartridge Frame and the Screw aligns with the Locking Hole. Tighten the Screw all the way down to secure the Wash Guard in place.
4. Slide the Blade Assembly to the right to remove it from the Slicer. Make sure the Blade Holder Frame area is clean and smooth. Remove any debris that may have collected there. Neither the Blade Cartridge or the Frame need lubrication
5. Check the Pusher and Blade Assembly alignment; make sure the area is clean and smooth. Remove any debris that may have collected.
6. Wash the Pusher Assembly, Blade Cartridge and Slicer Housing in a dishwasher if desired to clean & sanitize. The components of the Edlund TOMATO LASER are completely dishwasher safe. Or, you can wash the components in soap and water.
7. After washing, inspect the Blades for nicks, bends and other damage. If damaged, replace or return to Edlund for repair.

**NOTE:** *Do not allow tomato waste to remain on the Slicer. Dried waste deposits are unsanitary and may affect the operation of the Slicer.*

### ***Blade and Pusher Maintenance***

1. Examine the Pusher Assembly Fingers. If they are nicked or burred, smooth the rough edges with a small flat file. The spaces between the Fingers must be uniform. Carefully straighten any bent Fingers using pliers.
2. Check the clearance between the Pusher Assembly Fingers and the Blades. Make sure they do not rest on or touch the Blades at any point during the Pusher travel. If there is contact, carefully adjust the Pusher Fingers by using pliers to bend the Fingers as needed.

### ***Replacing the Blade Assembly***

Individual Blades cannot be replaced. Replace the entire Blade Assembly or send the Cartridge to Edlund for repair.

## CHAPTER 5 – TROUBLESHOOTING

---

Consult the Troubleshooting Table below for common problems and their solutions. If you continue to experience problems, call our Technical Support Representatives at **1-800-772-2126**.

### *Troubleshooting Table*

---

**⚠ WARNING**

**USE CAUTION WHEN HANDLING THE BLADE CARTRIDGE, THE BLADES ARE VERY SHARP. ALWAYS HAVE THE WASH GUARD ATTACHED TO THE BLADE CARTRIDGE WHEN HANDLING.**

---

<i>SYMPTOM</i>	<i>POSSIBLE CAUSE</i>
<i>The Cover will not close.</i>	<ul style="list-style-type: none"><li>⇒ Make sure the Blade Cartridge is fully inserted into the Slicer Frame and the Alignment Pins are engaged.</li><li>⇒ Make sure Blade Cartridge is inserted in the correct orientation (with the Alignment Pins inward and the Wash Guard facing the Pusher).</li><li>⇒ The Cover is bent out of shape; replace the Cover.</li></ul>
<i>The Locking Latch will not close or open all the way.</i>	<ul style="list-style-type: none"><li>⇒ The Locking Latch is bent; replace the Latch.</li><li>⇒ Debris may be jammed in the Latch area. Remove any debris and clean the Latch area.</li></ul>
<i>The Pusher Assembly fingers hit the Blades.</i>	<ul style="list-style-type: none"><li>⇒ Make sure the Blade Cartridge Assembly hardware is tight.</li><li>⇒ The Blades are bent out of shape; replace the Blade Cartridge.</li><li>⇒ The Pusher Assembly Fingers are bent out of shape; straighten the Fingers or replace the Pusher Assembly. See page 7.</li></ul>

THIS PAGE INTENTIONALLY LEFT BLANK

## CHAPTER 6 - PARTS LISTS, DIAGRAMS, AND WARRANTY

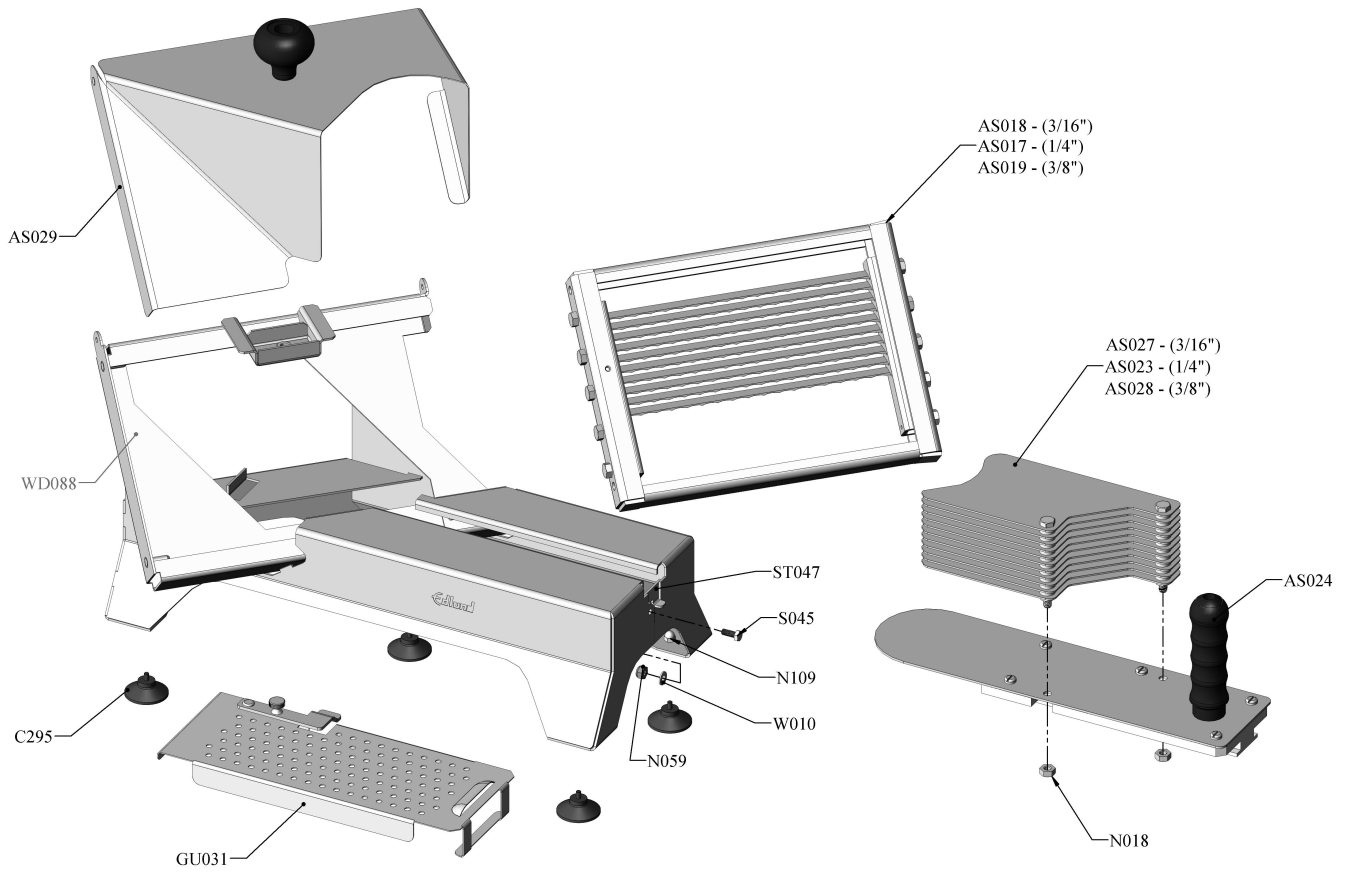
---

### **Parts List - Edlund TOMATO LASER, Models ETL-316, -140 & -380**

*NOTE: Part numbers listed are available through the Edlund Company or authorized parts supplier.*

<b>Part#</b>	<b>Description</b>
AS029	Cover w/Locking Knob
WD088	Base
C295	Feet, Suction Cup
GU031	Wash Guard
N059	Nut, Lock, 10-32
W010	Washer, Flat, #10
S045	Bolt, Hex Head, SS, 10-32 x 1/2"
ST047	Bracket, Stop, Pusher
N018	Nut, Hex, SS, 1/4-20
AS024	Base, Pusher
AS027	Assembly, Pusher, 3/16"
AS023	Assembly, Pusher, 1/4"
AS028	Assembly, Pusher, 3/8"
AS018	Cartridge, Blade, 3/16"
AS017	Cartridge, Blade, 1/4"
AS019	Cartridge, Blade, 3/8"
N109	Nut, Acorn Hex, SS, 8-32

**Exploded View - Edlund TOMATO LASER, Models ETL-316, -140 & -380**



130402



## SLICER, Models ETL-316, -140, & -380

### WARRANTY:

All Edlund products are guaranteed against defects in material and workmanship for a period of one year from date of purchase, except where specifically noted. The company's obligation under this warranty is limited to repairing or replacing without charge any part or parts found to be defective **under normal use**. It is the responsibility of the purchaser to return the entire unit to the factory, **properly packed, transportation charges prepaid**. This warranty does not cover knives and gears on can openers. No other warranty, written or verbal, is authorized by the company. Warranty charges do not include state, federal, foreign, excise, municipal, or other sales or use taxes. All such taxes are the responsibility of the purchaser.

**Carrier is responsible for merchandise in transit to you.**

Edlund Company reserves the right to make changes in design or add any improvements on any product. The right is always reserved to modify our equipment because of factors beyond our control and government regulations. Charges to update equipment do not constitute a warranty charge.

The following are not covered under warranty:

1. failure from neglect, abuse, careless handling or mis-application of unit.
2. failure caused by improper maintenance.

Return products to: Edlund Company LLC, Service Department  
159 Industrial Parkway, Burlington, VT 05401, USA



Phone: (800) 772-2126 & (802) 862-9661 • Fax: (802) 862-4822

Edlund Company LLC

159 INDUSTRIAL PARKWAY, BURLINGTON, VERMONT 05401

1-800-772-2126 • www.edlundco.com

©2013 Edlund Co. LLC, M177