

1

2

3

4

5

6

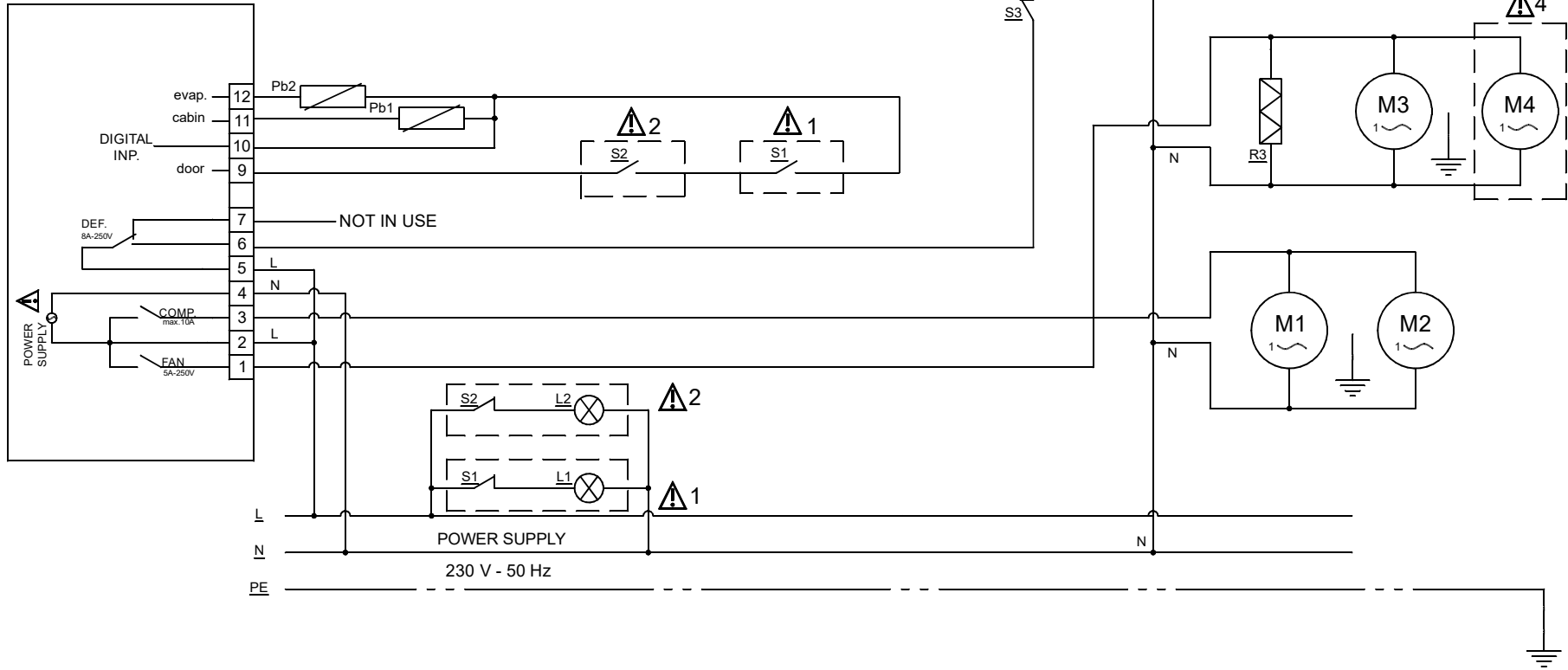
DESCRIPTIONS

⚠️2 ⚠️4 Available only on ADVANCE F140

S1: Door Switch 1
S2: Door Switch 2
S3: Thermal Protector
Pb1: Cabin Probe
Pb2: Evaporator Probe

R1: Defrost Heater
R3: Door frame cable heater
L1/L2: Led light
M1: Compressor
M2: Condenser Fan
M3,M4: Evaporator Fan

EVCO EV3B23N7 Model Digital Thermostat



DO NOT SCALE FROM DRAWING!

ALL DIMENSIONS ARE IN (mm)

R&D	DATE	GENERAL TOLERANCES	
DRAWN	14.10.2021	DIN 7168 M	
CONTROL	14.10.2021		
APPROV.	14.10.2021		
REVISION	0	SCALE	1/100

HOSHIZAKI



DESCRIPTION	ADVANCE F70 / F140 MODELS WIRING DIAGRAM
DESCRIPTION 2	
DRAWING NO	