

Spare parts list

Eco Midi 82 G

Part number: 765041902
Release date: 21.12.15
Released by: JABP
Revision date: 15.11.18
Revision no.: 003

Gram Commercial A/S
Aage Grams Vej 1
6500 Vojens, Danmark
Tel: +45 73 20 12 20
Fax: +45 73 20 12 01

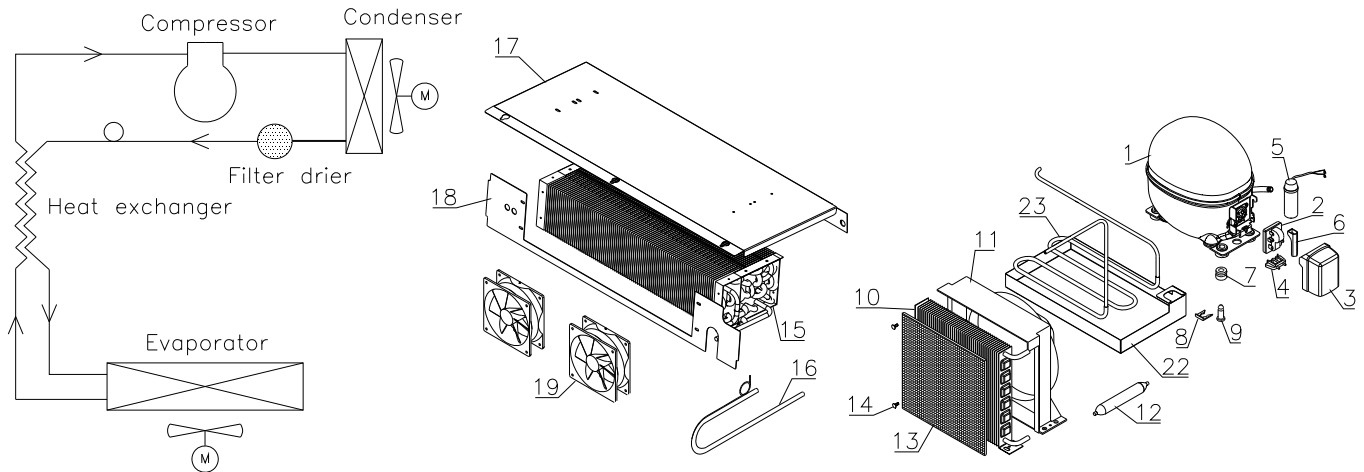


Content

Refrigeration system parts	3
Sensors and sensor positioning	6
Cabinet parts	7
Electrical parts	8
Door	9
Notes	10

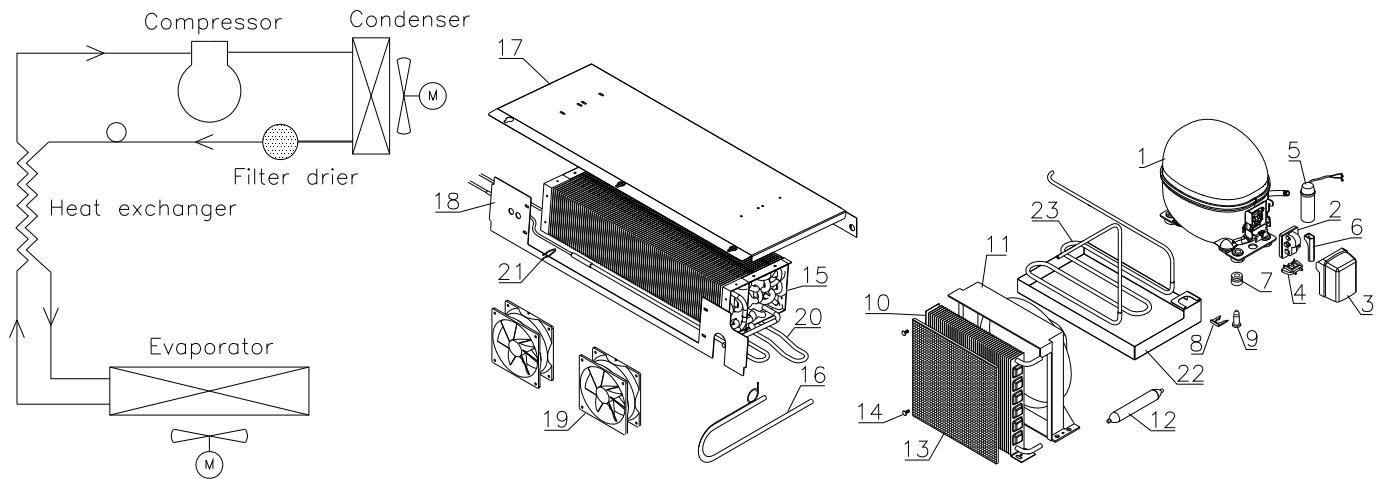
Refrigeration system parts

K 82 G



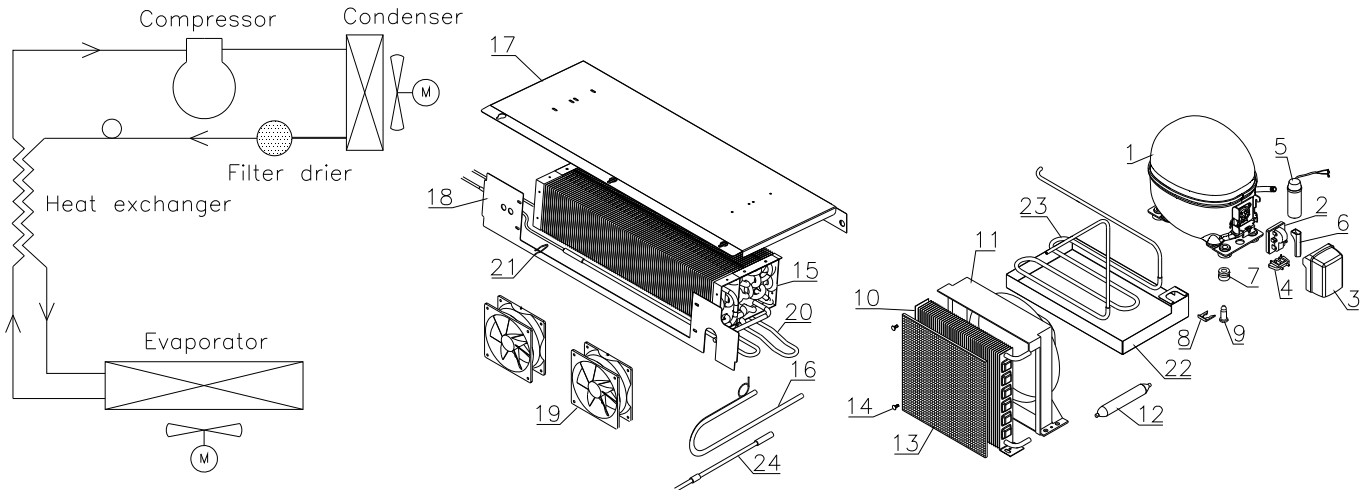
Item no.	Description	Gram part no.	Issued	Deleted
1	Compressor DLE4.8CN	502900021	2216	
2	Starting device	453050180	2216	
3	Cover	452440296	2216	
4	Cord relief	452440300	2216	
5	Run capacitor 4 μ F	451723517	2216	
6	PTC cover	452440290	2216	
7	Rubber bush	760080519	2216	
8	Compressor clip	760082367	2216	
9	Compressor screw	760082711	2216	
10	Condenser	765080162	2216	
11	Cond.fan guard complete w/IQ fan	763254096	2216	
12	Filter drier	765080156	2216	
13	Air filter	761114416	2216	
14	Attachment plug	765081250	2216	
15	Evaporator	765080185	2216	
16	Heat exchanger	762900062	2216	
17	Evaporator suspension	763241211	2216	
18	Evaporator cover	763241289	2216	
19	Evaporator fan	765072102	2216	
22	Re-evaporation tray	763242725	2216	
23	Re-evaporation pipe	760000378	2216	

M 82 G



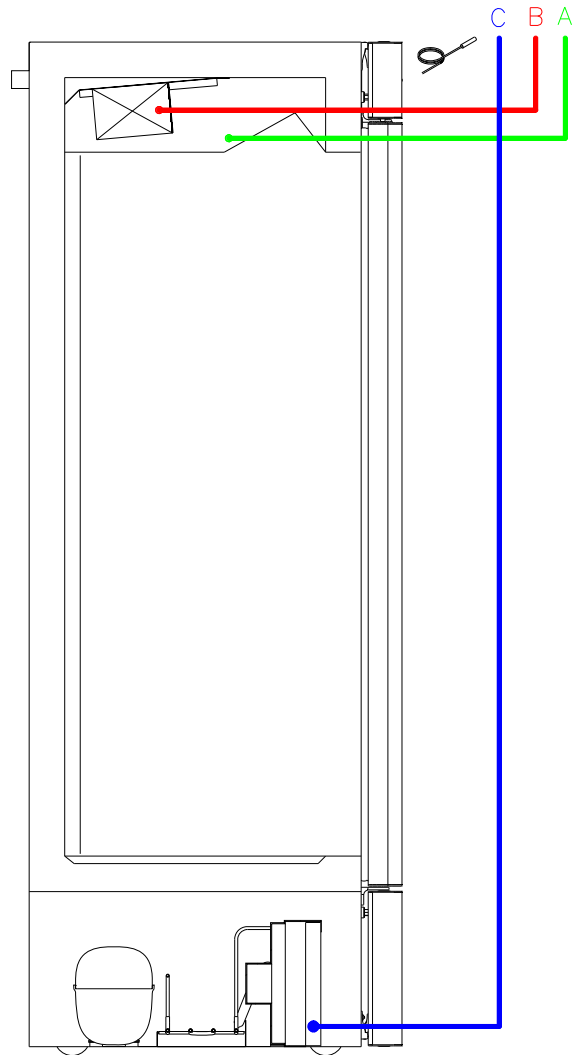
Item no.	Description	Gram part no.	Issued	Deleted
1	Compressor DLE4.8CN	502900021	2216	
2	Starting device	453050180	2216	
3	Cover	452440296	2216	
4	Cord relief	452440300	2216	
5	Run capacitor 4 μ F	451723517	2216	
6	PTC cover	452440290	2216	
7	Rubber bush	760080519	2216	
8	Compressor clip	760082367	2216	
9	Compressor screw	760082711	2216	
10	Condenser	765080162	2216	
11	Cond.fan guard complete w/IQ fan	763254096	2216	
12	Filter drier	765080156	2216	
13	Air filter	761114416	2216	
14	Attachment plug	765081250	2216	
15	Evaporator	765080185	2216	
16	Heat exchanger	762900062	2216	
17	Evaporator suspension	763241211	2216	
18	Evaporator cover	763241289	2216	
19	Evaporator fan	765072102	2216	
20	Defrost heater	765071819	2216	
21	Clip for defrost heater	763251227	2216	
22	Re-evaporation tray	763242725	2216	
23	Re-evaporation pipe	760000378	2216	

F 82 G



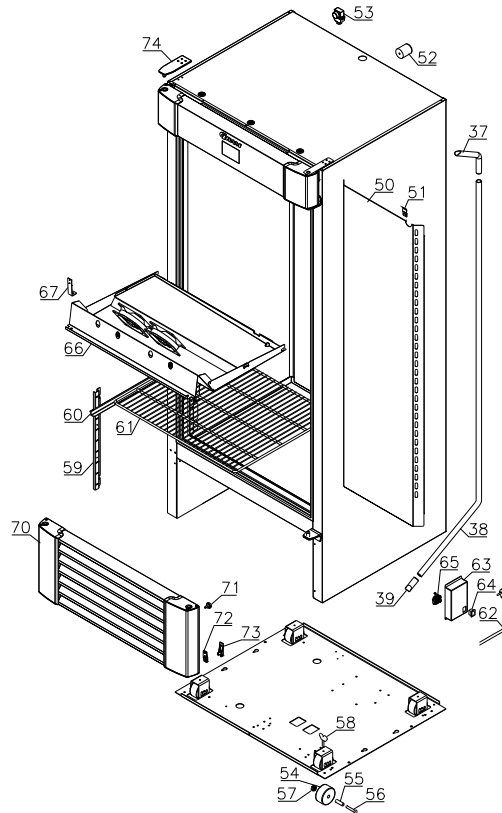
Item no.	Description	Gram part no.	Issued	Deleted
1	Compressor NLE11CNL	502900017	2216	
2	Starting device	453050180	2216	
3	Cover	452440293	2216	
4	Cord relief	452440300	2216	
5	Run capacitor 4 μ F	451723517	2216	
6	PTC cover	452440290	2216	
7	Rubber bush	760080519	2216	
8	Compressor clip	760082367	2216	
9	Compressor screw	760082711	2216	
10	Condenser	765080162	2216	
11	Cond.fan guard complete w/IQ fan	763254096	2216	
12	Filter drier	765080156	2216	
13	Air filter	761114416	2216	
14	Attachment plug	765081250	2216	
15	Evaporator	765080185	2216	
16	Heat exchanger	762900062	2216	
17	Evaporator suspension	763241211	2216	
18	Evaporator cover	763241289	2216	
19	Evaporator fan	765072102	2216	
20	Defrost heater	765071819	2216	
21	Clip for defrost heater	763251227	2216	
22	Re-evaporation tray	763242725	2216	
23	Re-evaporation pipe	760000378	2216	
24	Drain line heater	765071698	2216	

Sensors and sensor positioning



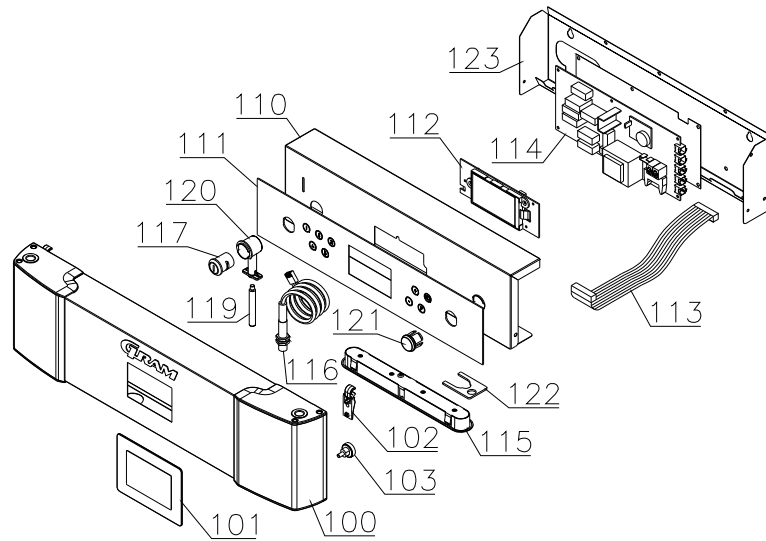
Item no.	Description	Gram part no.	Issued	Deleted
A	Room sensor	453531501	2216	
B	Defrost sensor	453531500	2216	
C	Condenser sensor	453531500	2216	

Cabinet parts



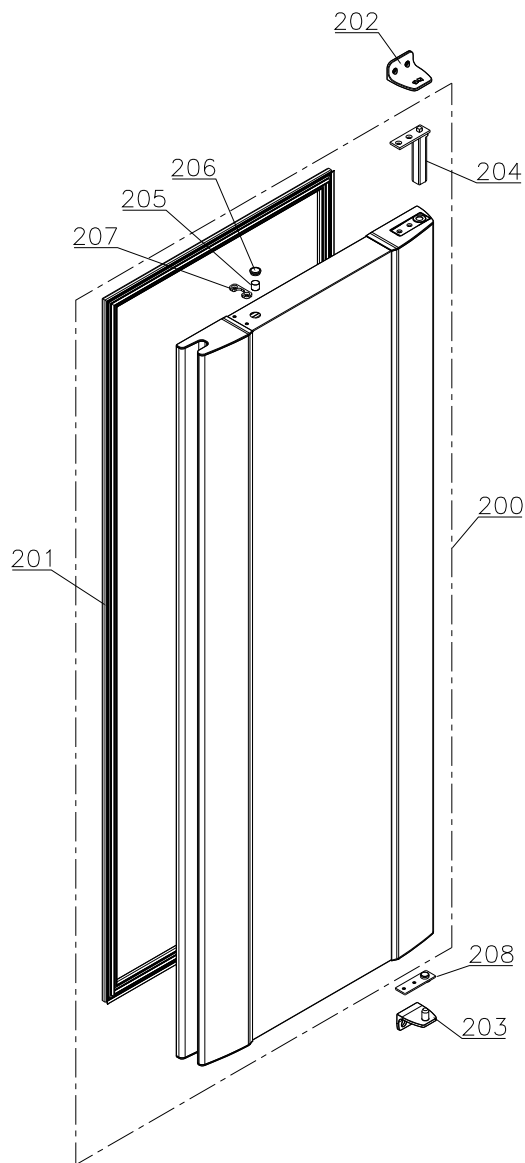
Item no.	Description	Gram part no.	Issued	Deleted
37	Drain outlet pipe	765081253	2216	
38	Drain hose L=1.85 m	760100220	2216	
39	Water trap	760082891	2216	
50	Air distribution plate	763252604	2216	
51	Bracket	760250762	2216	
52	Distance bush	762251184	2216	
53	Air relief valve	765081206	2216	
54	Nylon wheel $\varnothing 70$	480100027	2216	
55	Wheel bush	760242404	2216	
56	Hex.screw M8x50	420042286	2216	
57	Hex.nut M8	421092007	2216	
58	Wing screw	420730060	2216	
59	Wall rail	763251914	2216	
60	Shelf support set of 2	818885003	2216	
61	Stainless wire shelf	765080365	2216	
61	Grey wire shelf	765080366	2216	
62	Power cord EU	765072566	2216	
62	Power cord UK	765072567	2216	
62	Power cord DK	765072568	2216	
63	Cover for terminal board	760243406	2216	
64	Appliance inlet	451022002	2216	
65	Terminal board	765070790	2216	
66	Drip tray	763241862	2216	
67	Drip tray bracket	763242954	2216	
70	Bottom panel, stainless	763244003	2216	
70	Bottom panel, white	763244004	2216	
70	Bottom panel, alu look	763244007	2216	
71	Magnet	763242013	2216	
72	Panel bracket	763242004	2216	
73	Panel bracket	763242003	2216	
74	Top panel bracket	763251787	2216	

Electrical parts



Item no.	Description	Gram part no.	Issued	Deleted
100	Front panel complete, Stainless	763244000	2216	
100	Front panel complete, Alu look	763244008	2216	
100	Front panel complete, White	763244001	2216	
101	Display window	763252049	2216	
102	Panel bracket	763242004	2216	
103	Magnet	763242013	2216	
110	Junction box, front part	763242104	2216	
111	Display label	765040683	2216	
112	Display PCB	612900053	2216	
113	Ribbon cable L=700	453582047	2216	
114	Controller PCB, power part FS K01	763256000	2216	
114	Controller PCB, power part FS M03	763256001	2216	
114	Controller PCB, power part FS F01	763256002	2216	
115	LED light bar	450742011	2216	
116	Door switch	450400113	2216	
117	Lock comb. A151	765080322	2216	
118	Key A151	765080399	2216	
119	Lock pin	765080048	2216	
120	Lock housing	765080047	2216	
121	Plug for lock housing	763252152	2216	
122	Clip for LED bar	763252161	2216	
123	Junction bow, back part	763242103	2216	

Door



Item no.	Description	Gram part no.	Issued	Deleted
200	Door complete, Stainless	763244005	2216	
200	Door complete, Alu look	763244022	2216	
200	Door complete, White	763244006	2216	
201	Gasket	763241704	2216	
202	Top hinge	763251766	2216	
203	Bottom hinge	763241000	2216	
204	Self closing device	761259910	2216	
205	Magnet for door switch	450401002	2216	
206	Plastic plug	760082756	2216	
207	Lock bracket	763251091	2216	
208	Hinge bearing complete	763251755	2216	

Notes
