



## VARIO-THERM

# FC3 Heated Servery Counter

### Key features

- 1/1 gastronorm compatible two panel glass hot top
  - Simple to transfer food from cooking equipment to servery
- Individual controller settings
  - Turn down / off sections when not required
- Thermostatically controlled convection hotcupboard
  - Temperature range of 30 - 100°C
- Full height glass sneeze screen
  - Optimum hygiene levels for assisted serving
- 200W bulbs on gantry
  - Maintains food temperature during service
- Removable doors and shelving
  - Makes deep cleaning much easier
- Supplied with 2.5 metre cable
  - 13A coiled cable fitted
- Easy servicing and maintenance
  - Easily accessible quick release fan and element box

#### Additional features:

- Anti-tilt bracket
- Constructed from 430 stainless steel with commercial grade Aluzinc base

### Options

- Trayslide
- Gantry (with or without screen - gantry glass options available to suit service needs)
- Fixed rail (if full length gantry screen not fitted)
- Push / pull handles
- Side screens

### Similar Models

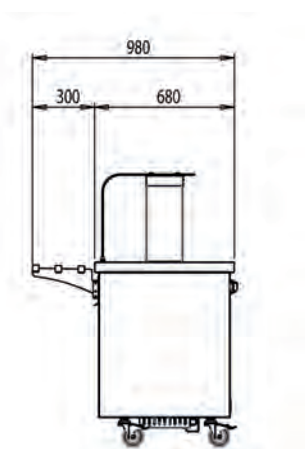
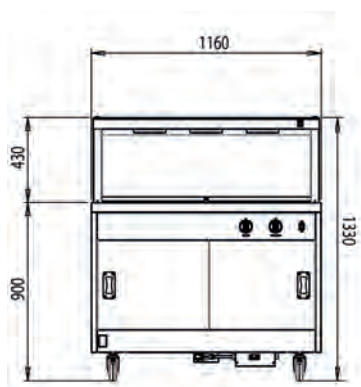
- FC2 - Servery with 2 heated glass hot top panels
- FC4 - Servery with 4 heated glass hot top panels



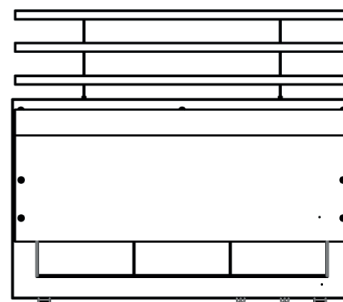
## Model Variants

Model	Code	No Hot Tops	Hotcupboard	Gantry	Full Glass	Half Glass	Tray Slide	Side Glass	GTIN Number
FC3	710963582	3	✓	✓	✓				5056466906641
FC3-T	710960582	3	✓	✓	✓		✓		5056466906658
FC3-S	710964582	3	✓	✓	✓			✓	5056466906665
FC3-ST	710961582	3	✓	✓	✓		✓	✓	5056466906672
FC3-P	710965582	3	✓	✓		✓			5056466906689
FC3-PT	710962582	3	✓	✓		✓	✓		5056466906696

Measurements *in mm*



Width with trayslide folded is 780mm



## Specification details

Electrical rating (kW)	2.65
Electrical supply voltage	230V
Required electrical supply (A)	13
Weight (kg)	128
Packed weight (kg)	148
Packed dimensions (w x d x h - mm)	1200 x 850 x 1600

