



VARIO-THERM

FC4 Heated Servery Counter

Key features

- 1/1 gastronorm compatible two panel glass hot top
 - Simple to transfer food from cooking equipment to servery
- Individual controller settings
 - Turn down / off sections when not required
- Thermostatically controlled convection hotcupboard
 - Temperature range of 30 - 100°C
- Full height glass sneeze screen
 - Optimum hygiene levels for assisted serving
- 200W bulbs on gantry
 - Maintains food temperature during service
- Removable doors and shelving
 - Makes deep cleaning much easier
- Supplied with 2.5 metre cable
 - 13A coiled cable fitted
- Easy servicing and maintenance
 - Easily accessible quick release fan and element box

Additional features:

- Anti-tilt bracket
- Constructed from 430 stainless steel with commercial grade Aluzinc base

Options

- Trayslide
- Gantry (with or without screen - gantry glass options available to suit service needs)
- Fixed rail (if full length gantry screen not fitted)
- Push / pull handles
- Side screens

Similar Models

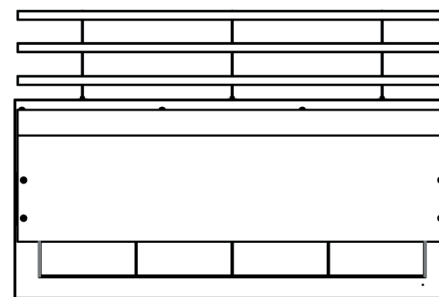
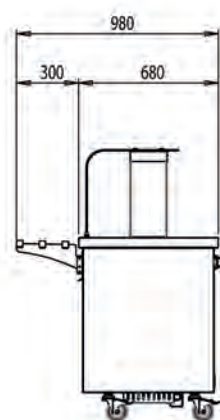
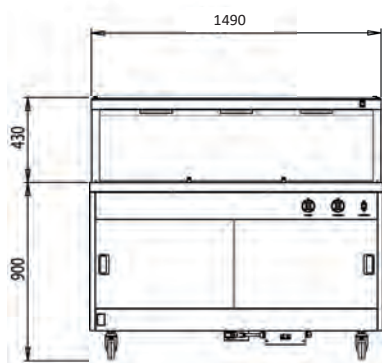
- FC2 - Servery with 2 heated glass hot top panels
- FC3 - Servery with 3 heated glass hot top panels



Model Variants

Model	Code	No Hot Tops	Hotcupboard	Gantry	Full Glass	Half Glass	Tray Slide	Side Glass	GTIN Number
FC4	710973582	4	✓	✓	✓				5056466906702
FC4-T	710970582	4	✓	✓	✓		✓		5056466906719
FC4-S	710974582	4	✓	✓	✓			✓	5056466906726
FC4-ST	710971582	4	✓	✓	✓		✓	✓	5056466906733
FC4-P	710975582	4	✓	✓		✓			5056466906740
FC4-PT	710972582	4	✓	✓		✓	✓		5056466906757

Measurements *in mm*



Width with tray slide folded is 780mm

Specification details

Electrical rating (kW)	2.83
Electrical supply voltage	230V
Required electrical supply (A)	13
Weight (kg)	154
Packed weight (kg)	184
Packed dimensions (w x d x h - mm)	1550 x 850 x 1600

