

FRIIA LITE HOT/COLD



- > In-built water filter
- > Sleek, stylish font for lower volume sites such as small offices
- > Average 12L cold water per hour vs. standard FRIIA 35L/hr
- > Award-winning, energy-efficient hot water boiler

ORDER CODES

(Complete bundle)

FRIIA Lite HC
5000204



CHILLER	BOILER	SYSTEM SET-UP

CHILLER

PRODUCT INFO	SIZE	PERFORMANCE SPECS		PLUMBING, ELECTRICAL AND TECHNICAL SPECS			
NAME ORDER CODE	DIMENSIONS (D X W X H mm)	L/HR	CUPS /HR	POWER	PLUMBING REQS	COMPRESSOR POWER	REFRIGERANT
FRIIA Lite Chiller 1000201	468 x 279 x 420	12L/hr based on incoming water temp of 15°C and output water temp of 5-7°	60	230V	3/4" BSPM Working Water Pressure: 1 Bar (14.5psi) to 4 Bar (58psi)	129W	R600a/35g

BOILER

PRODUCT INFO	SIZE	PERFORMANCE SPECS			PLUMBING & ELECTRICAL REQS	
NAME ORDER CODE	DIMENSIONS (D X W X H mm)	IMMEDIATE DRAW OFF	L/HR	CUPS/HR	POWER @220v	PLUMBING REQS
MIX UC3 1000880	385 x 210 x 444	3L	28L	156	2.8kW	3/4" BSP

FONT

FRIIA LITE HC	FONT DIMS

NAME ORDER CODE	DIMENSIONS INC. DRIP TRAY (D X W X H mm)	DIMENSIONS EXCL. DRIP TRAY (D X W X H mm)	TAP TO COUNTER (mm)
2b Font 1000868	168 x 120 x 286	138 x 30 x 286	247

PACKAGING

NAME	PACKAGING DIMENSIONS (L x W x H mm)	WEIGHT
Fonts (all)	290 x 570 x 215	1.65kg
Chiller	590 x 385 x 520	21.2kg
MIX UC3	450 x 290 x 540	11kg

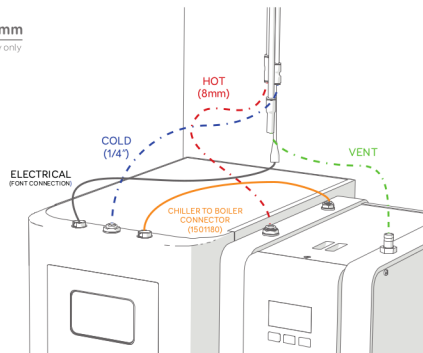
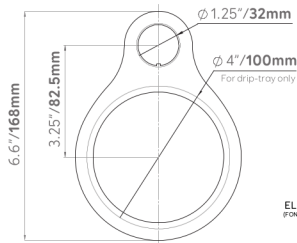
PLEASE NOTE

FRIIA Lite components (font, boiler and chiller) are packed and shipped in individual boxes.

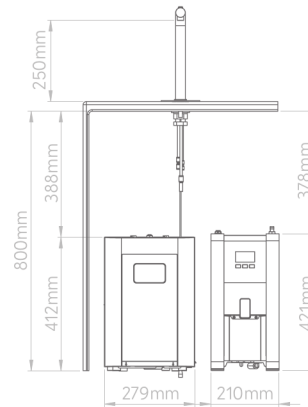


FRIIA LITE HOT/COLD

COUNTER CUT-OUT WITH DRIP TRAY



FRIIA LITE HC 5000204



VENTILATION REQUIREMENTS

FRONT VENTILATION: Ventilation grilles cut out of standard cabinet door.

SIDE VENTILATION: Ventilation grilles cut out of standard 600mm cabinet. Grilles may be fitted on either side as long as they ventilate into an open unobstructed area.

BASE VENTILATION: Ventilation grilles cut in base panel and base plinth, a grille must also be cut out at the top of the cabinet.

- At least 2 x vents 260mm/10.2" w x 65mm/2.5 h
- The cabinet may be ventilated in many ways provided there are cut outs placed near the base and another near the top of the cabinet to take advantage of natural circulation.

UNPACKING INSTRUCTIONS

- The chiller must be handled only in a vertical position. Transporting the appliance in a horizontal position can cause severe damage to the refrigerator.
- If the chiller arrives in a horizontal position, leave to sit for 3-4 hours in the vertical position before turning the chiller on.
- Remove the exterior and interior packing. Packing materials (especially any plastic bags) should be stored out of the reach of children, as a potential source of danger. When disposing packaging parts, please follow current regulations on the matter, separating carton from plastic parts.
- Always check that the chiller that is delivered corresponds to the model indicated in the accompanying document.
- The chiller is shipped in a cardboard box. Once the packaging has been removed, check the chiller has not been damaged in transit; if damage is found, notify the carrier.

ELECTRICAL INSTALLATION PROCEDURE

When installing the chiller, always observe the local regulations and standards. The chiller is supplied with a moulded power cord. A suitable mains power supply socket should be available within easy access of the chiller so that it can be disconnected easily after install.

PLUMBING INSTALLATION PROCEDURE

- Ensure that the chiller is installed according to local plumbing & water regulations.
- Fit a stop valve on a cold water line and attach a 3/8" BSP male fitting, (E.g. 3/4" x 1/2" 311 or washing machine type stop valve).
- Connect water supply lines following the installation drawings. As per installation guide (starting page 14).
- Push the pipe firmly into the fittings until locked into position to avoid leaks. 15mm is the correct depth of insertion.
- In case filter systems are used verify that they satisfy the requirements of the legislation in force.
- The chiller has a pressure reducer in case the incoming water exceeds 3 bar.
- Turn on the water to flush any impurities, dust etc from the inlet hose and water pipe. Allow several litres through. Especially for new installations.

BEFORE USING CHILLER

- Before connecting the chiller to the power source, let it stand upright for approximately 2-3 hours, this will reduce the possibility of a malfunction.
- Check that all installation procedures have been carried out.
- Ensure water inlet is open.

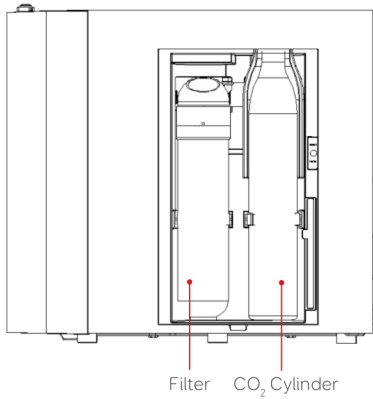
- Ensure CO₂ valve is open
- Before supplying power to the chiller check water and CO₂ lines do not leak.
- Plug the chiller into a suitable socket and turn the Cooling Switch on the rear of the chiller to the ON position.
- When the unit is on, the carbonation pump starts to fill. The carbonation device stops when it reaches the maximum level.
- If using an external CO₂ Cylinder, on the pressure reducer knob, adjust CO₂ pressure to a value between 50 and 65 PSI (350 and 450 kPa) (3.5 - 4.5 bar) This value depends on the temperature of the water and on the ambient temperature. The temperatures correspond to the CO₂ pressure.
- The chiller will take approximately 70-120 minutes to get down to temperature depending on the temperature of your incoming water. The blue light on the front of the chiller remains flashing during chilling.
- Once the blue light stops flashing and remains solid the chiller is down to temperature and at this point you can dispense water.
- To enable the filling of lines, push the front buttons in the following order sparkling water, cold water & hot water until the flows appear.
- At this point you can dispense water.



CO₂ SPECS

FRIIA Lite can be used with an internal or external CO₂ canister.

A compatible gas cylinder is the **Sodastream 60L** cylinder.



FILTER SPECS

PAC SEDIMENT & CARBON COLD WATER FILTER	FLOW RATE	WORKING PRESSURE	TEMPERATURE	MAX PURIFIED WATER CAPACITY	PH RANGE	APPLICABLE INLET WATER
1400216	3L/min	0.1-0.4MPa	4-38°C	3600L for 12 months	5-10	TDS below 350 ppm

PLEASE NOTE Marco also recommends using a separate hot water filter (sold separately).

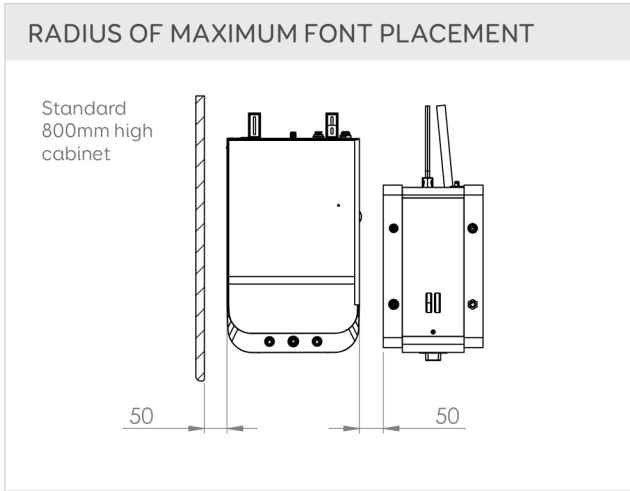
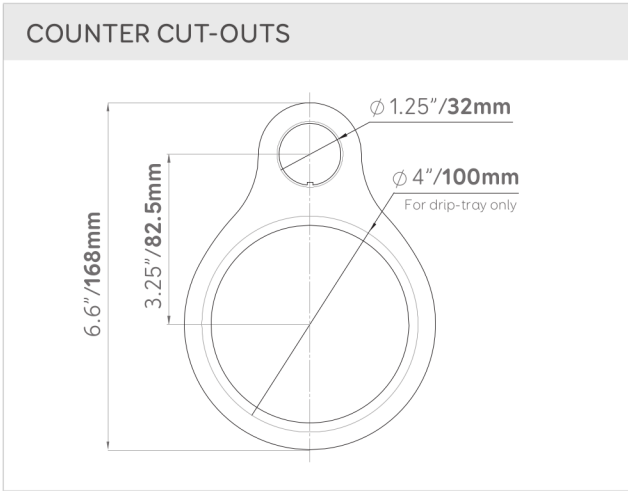
SANITISATION ACCESSORIES

Sanitisation Kit: Internal Water Cooler Sanitising Solution 1L + Chiller Best Service Cartridge	8000900
Internal Water Cooler Sanitising Solution 1L	8800125
Scaleclean 1kg Descaler (5 uses)	8000260
Chiller Best Service Cartridge	8000522
Scaleclean 200g Descaler (1 use)	8000270

FRIIA LITE MAINTENANCE

- > Wipe down front daily with non-abrasive cleaner.
- > Sanitise the system every 6 months, after a filter change or after a period of inactivity (more than 72 hours)
- > Descale the MIX boiler if scale is present in the water.

FRIIA LITE SYSTEM OVERVIEW

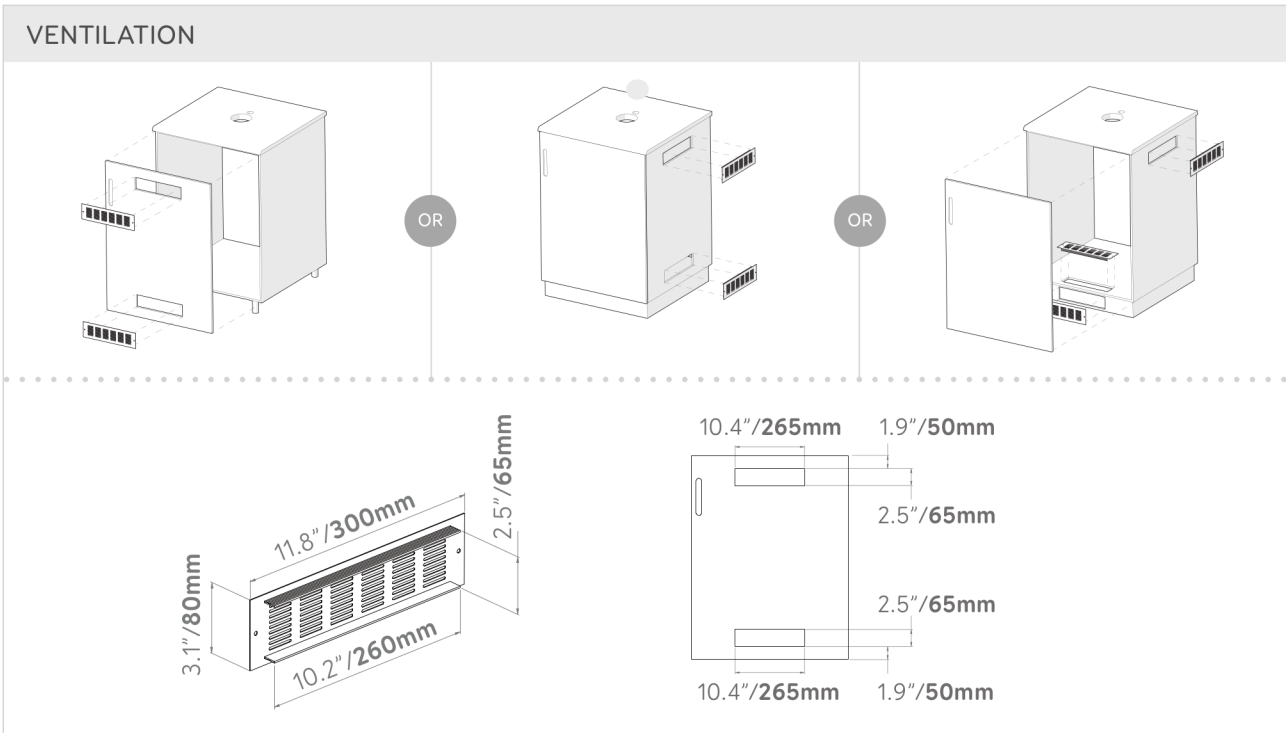


CABINET

Min: 800mm (h) x 600mm (w) x 600mm (d) with 100mm clearance around machines all sides

OPERATING ENVIRONMENT

Cannot exceed temperature of 35°C



PLEASE NOTE It is essential to allow for two ventilation points when installing FRIIA Lite. Vents are not supplied. Where possible, we recommend removing the back of your cabinet.
Option to add fan for additional ventilation
1600860# FRIIA Fan Assembly (Wall Socket)