



Special Installation



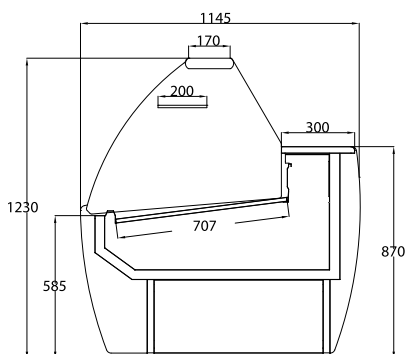
Site Survey



Suitable For Fresh Meat



MAXIME 20C MEAT



Features and Benefits

- Fully automatic
- Fan assisted cooling
- Adjustable feet
- Interior LED light with switch
- Digital controller and temperature display
- Hinged glass for easy cleaning
- Ambient shelf
- Acrylic sliding doors to display area
- Multiplexable runs available (factory order only)
- 13 Amp socket to rear for scales/till etc.
- Stainless rear shelf
- Stainless deck
- Red trim supplied as standard, grey & blue colour options available

Technical Specifications

Temperature Range	-2/+2°C
Refrigerant	R452a
Type of Defrost	Hot Gas
Exterior Finish	White
Interior Finish	Stainless Steel
Power Required	13 Amp
Max Ambient	25°C at 60% RH
Climate Class	3



Blue Trim Option



Grey Trim Option



Digital Control and 13 Amp Socket for Scales or Till



Maxime Corner Runs Available - POA

Maxime Meat with flat glass also available. Go to www.interlevin.co.uk

Model	Description	Dimensions (mm)			Kg	Price	Next Day
		H	W	D			
MAXIME 15C MEAT	White Curved Glass	Ext. 1232	1480	1145	260	£2,682	X
MAXIME 20C MEAT	White Curved Glass	Ext. 1232	1980	1145	325	£3,159	X
MAXIME 25C MEAT	White Curved Glass	Ext. 1232	2480	1145	385	£3,908	X
MAXIME 30C MEAT	White Curved Glass	Ext. 1232	2880	1145	488	£4,491	X

