

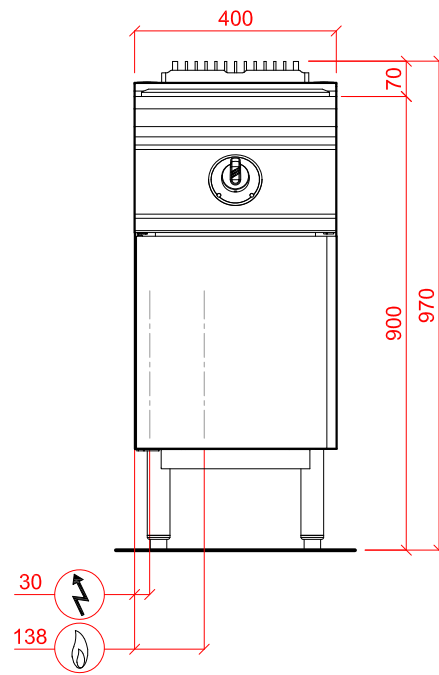
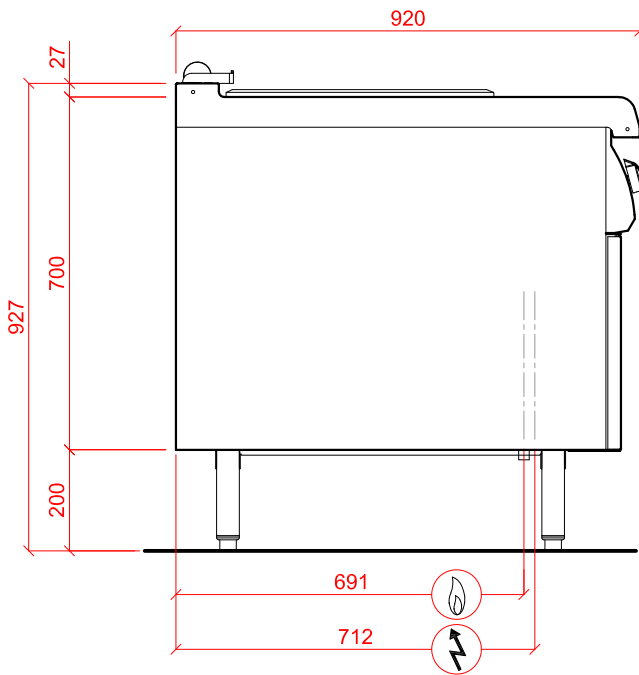
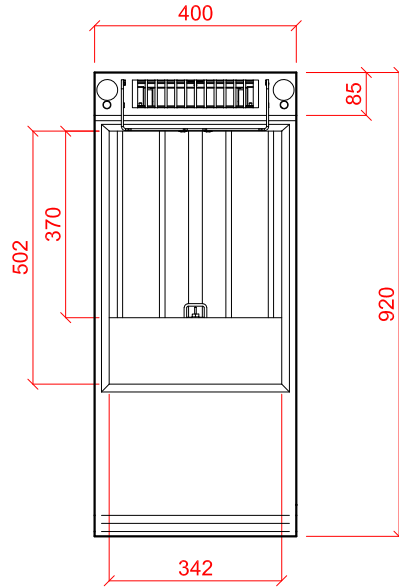
900 SERIES MODULAR COOKING EQUIPMENT
AVANCIA RANGE



HOBART UK,
 SOUTHGATE WAY,
 ORTON SOUTHGATE,
 PETERBOROUGH.
 PE2 6GN
 0844 888 7777
 www.hobartuk.com

900 Series - Gas Fryers

B1A9FR18BG-10



Device Number	Description	Gas/Electric Loading	Notes
B1A9FR18BG-10	18ltr Gas fryer (Nat Gas) on cupboard.	16.5kW / 0.1kW (230 / 50 / 1)	22mm CONNECTION, 20m BAR PROVIDE A 1.5 METRE FREE TAIL END CABLE

SPECIAL NOTE:
 INSTALLATION MUST COMPLY
 WITH CURRENT GAS SAFETY
 REGULATIONS AND BS 6173