



GR3 - Lincat Silverlink 600 Electric Counter-top Salamander Grill - W 600 mm - 2.8 kW

The Silverlink 600 Electric Salamander Grill boasts even heat distribution for maximum output, meaning that producing perfectly grilled meat, fish, and toast has never been as simple or stress-free.

- ✔ Even heat distribution for maximum output and even cooking making it perfect for grilling and toasting a wide range of products
- ✔ 5 shelf positions to give maximum flexibility for all catering operations
- ✔ Chrome wire shelf to allow trays and food to be placed on for cooking
- ✔ Removable roasting rack and crumb tray, making it effortless to keep clean
- ✔ Stainless steel interior for ease of cleaning at the end of service
- ✔ Cool touch handles for safety

Specifications

Summary

Brand	Lincat
Range	Silverlink 600
Power Type	Electric
Unit Type	Counter-top
Available in UK Only	No
UK Warranty	2 Years Parts and Labour Warranty
Export Warranty	Contact your local dealer
GTIN	5056105100140

Power and Performance

Total Power kW	2.8
IP Rating	IP34
Cooking Area (Width x Depth) mm	410 x 230
Temperature Control	Mechanical

Key Specifications

Number of Shelves included	1
Number of Shelf Positions	5
Number of Heat Zones	1

Capacity

Product Output per Hour	50 x 115g [4oz] burgers [frozen], 18 x 225g [8oz]
--------------------------------	---

Weights and Dimensions

Unit Height (External) mm	314
Unit Width (External) mm	600
Unit Depth (External) mm	350
Shelf Dimensions Width mm	410
Shelf Dimensions Depth mm	230
Net Weight Kg	18.2

Supply Connections

Requires Installation	No
UK 3 Pin Plug	Yes
Requires Hardwiring	No
Electrical Supply Rating Watts	2,800
Single Phase Amps	12.20
Single Phase Voltage	230

Shipping

Packed Weight Kg	21.9
Packed Height cm	49.5
Packed Width cm	70
Packed Depth cm	55

Available Accessories

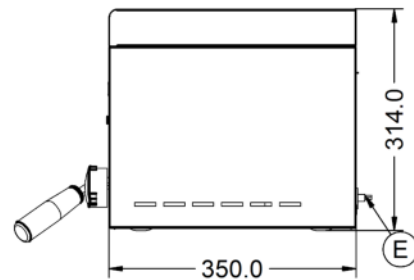
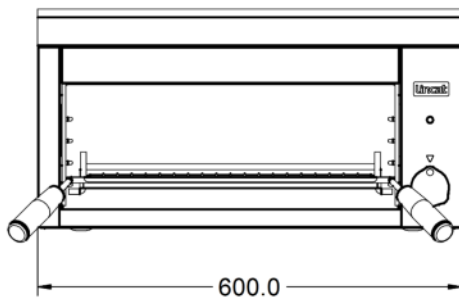
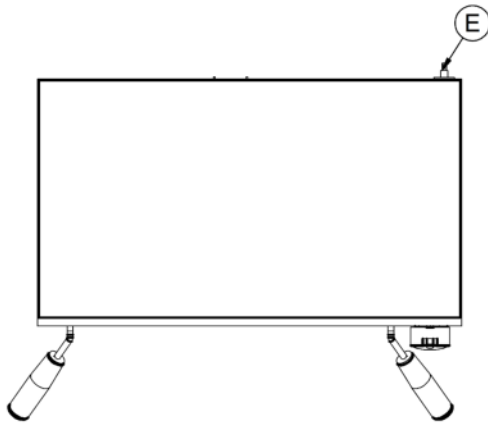
ABP03	BRANDING PLATE KIT
BR15	Wall Bracket for LGT/GR3
GR3/BS	BENCH STAND FOR GR3 - H410,D350,W605
GR3/FS	FLOOR STAND FOR GR3 - H1260,D350,W605

Available Accessories

GR3/WS

Wall Shelf for GR3

Technical Picture





Lincat Limited

Whisby Road,
Lincoln, LN6 3QZ,
United Kingdom

Company No: 2175448

A member company of



Customer Care

Tel: +44 1522 875500
Email: care@lincat.co.uk

Export Customers

Tel: +44 1522 503250
Email: export@lincat.co.uk

Opening Hours

Monday – Friday:
8.30am – 5pm