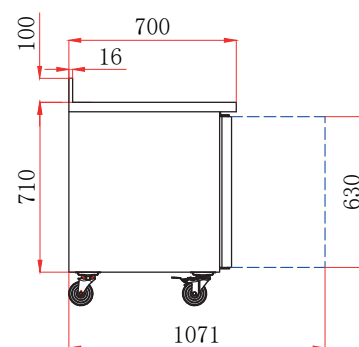


Refrigerator 1/1 Gastronom Counters

700mm Depth With Coved Upstand



FEATURES

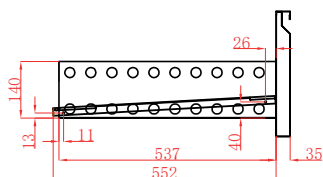
- Stainless steel exterior & interior
- Even air distribution by ducted system
- Available with 2 or 3 drawer option -
2 drawer option: GN container max. depth 150mm
3 drawer option: GN container max. depth 100mm
- Heavy duty castors as standard
- Coved 100mm upstand as standard
- Internal corners rounded for easy cleaning
- 1 x adjustable GN1/1 shelf per door
- Self closing doors with dwell position
- Replaceable door gasket

TECHNICAL SPECIFICATIONS

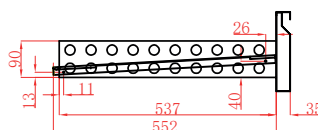
Cooling:	Ventilated
Controller:	Dixell controller
Defrost:	Automatic
Refrigerant:	R290
Climate Class:	4
Temperature Range:	+2°C ~ +8°C
Power Supply:	13amp

MODEL	GROSS CAPACITY	EXT. DIMENSIONS (H x W x D mm)	ENERGY RATING	POWER CONSUMPTION	KWH /ANNUM	DECIBELS	WEIGHT (kg)	RRP
HBC2	282L	950* x 1360 x 700	C	215W	822	42dBA	128	
HBC3	417L	950* x 1795 x 700	C	230W	1162	42dBA	154	
HBC4	553L	950* x 2230 x 700	D	345W	1741	42dBA	185	
2 Drawer Pack								
3 Drawer Pack								

* includes 100mm upstand



2 drawer size



3 drawer size

