

Indigo™ Series 1800 Ice Cube Machine

Model: IR-1800A ID-1802A IR-1890N ID-1803W
 IY-1804A IY-1805W IY-1894N ID-1892N



Indigo Series i-1800 Ice Machine on B-970 Bin

Designed for operators who know that ice is critical to their business, the Indigo™ Series ice machine's preventative diagnostics continually monitor itself for reliable ice production. Improvements in cleanability and programmability make your ice machine easy to own and less expensive to operate.

- **Space-Saving Design** – Up to 1,860 lbs. (845 kgs.) daily ice production and only 48" (121.92 cm) wide.
- **Intelligent Diagnostics** – provide 24 hour preventative maintenance and diagnostic feedback for trouble free operation.
- **Acoustical Ice Sensing Probe** – for reliable operation in challenging water conditions.
- **EasyRead Display** – communicates operating status, cleaning reminders, and asset information through a blue illuminated display.
- **Programmable Ice Production** – by On/Off Time, Ice Volume or Bin Level (with accessory bin level control) further improves energy efficiency and savings.
- **Easy to Clean Foodzone** – Hinged front door swings out for easy access. Removable water-trough, distribution tube, curtain, and sensing probes for fast and efficient cleaning. Select components made with AlphaSan® antimicrobial.
- **DuraTech™ Exterior** – provides superior corrosion resistance. Stainless finish with innovative clear-coat resists fingerprints and dirt.
- Available **LuminIce™ Growth Inhibitor** controls the growth of bacteria and yeast within the foodzone.

Ice Machine Electric

208-230/60/1 standard
 (208-230/60/3 and 230/50/1 also available.)

Minimum circuit ampacity:

| | | |
|----------------|----------|----------|
| Air-cooled: | 23.8 1ph | 15.4 3ph |
| Water-cooled: | 22.4 1ph | 14.0 3ph |
| Remote-cooled: | 23.4 1ph | 15.0 3ph |

Maximum fuse size:

| | | |
|----------------|--------|--------|
| Air-cooled: | 40 1ph | 25 3ph |
| Water-cooled: | 40 1ph | 25 3ph |
| Remote-cooled: | 40 1ph | 25 3ph |

Specifications

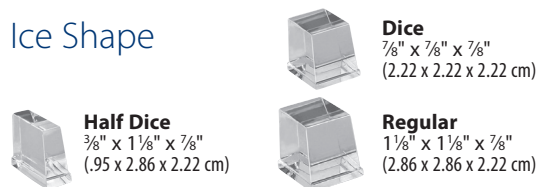
BTU Per Hour:
 30,000 (average),
 and 35,000 (peak)

Refrigerant:
 R-404A CFC-free

Operating Limits:

- Ambient Temperature Range: 35° to 110°F (1.7° to 43.3°C)
 Water Temperature Range: 35° to 90°F (1.7° to 32.2°C)
- Water Pressure Ice Maker Water In:
 Min. 20 psi (137.9 kPa)
 Max. 80 psi (551.1 kPa)

Ice Shape

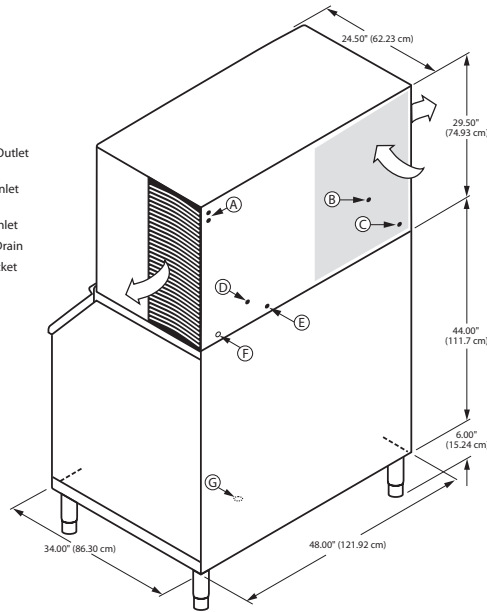




Indigo™ Series 1800 Ice Cube Machine

i-1800 on B-970 Storage Bin

- Ⓐ Electrical Entrance (2) Options
- Ⓑ 1/2" (1.27 cm) F.P.T. Water Condenser Outlet (water-cooled units)
- Ⓒ 3/8" (0.95 cm) F.P.T. Water Condenser Inlet (water-cooled units)
- Ⓓ 3/8" (0.95 cm) F.P.T. Ice Making Water Inlet
- Ⓔ 1/2" (1.27 cm) F.P.T. Ice Making Water Drain
- Ⓕ 1/2" (1.27 cm) Auxillary Base Drain Socket
- Ⓖ 3/4" (1.91 cm) Bin Drain
- ↻ Air flow for air-cooled models



Installation Note

Air Cooled clearance:

- Top: 24" (61.0 cm)
- Sides: 24" (61.0 cm)
- Back: 5" (30.5 cm)

Water Cooled clearance:

- Top/Sides: 8" (20.3 cm)
- Back: 5" (12.7 cm)

Space-Saving Design



i-1800 B-970

- Height 79.50"
- 201.90 cm
- Width 48.00"
- 121.92 cm
- Depth 34.00"
- 86.30 cm
- Bin Storage 710 lbs.
- 322.2 kgs.

Height includes adjustable bin legs 6.00" to 8.00", (15.24 to 20.32 cm) set at 6.00" (15.24 cm).

Specifications

| Model | Ice Shape | Ice Production 24 Hours | | Power Usage kWh/100 lbs. @90°Air/70°F | Potable Water Usage/100 lbs. 45.4 kgs. of Ice |
|---------------|-----------------------|-------------------------|--------------------|---------------------------------------|---|
| | | 70°Air/ 50°F Water | 90°Air/ 70°F Water | | |
| AIR-COOLED | IR-1800A regular | 1,790 lbs. | 1,430 lbs. | 5.07 | 22.3 Gal. 84.4 L |
| | | 814 kgs | 650 kgs | | |
| | ID-1802A dice | 1,840 lbs. | 1,430 lbs. | 5.16 | 22.3 Gal. 84.4 L |
| WATER-COOLED | IY-1804A half-dice | 1,860 lbs. | 1,455 lbs. | 5.27 | 22.3 Gal. 84.4 L |
| | | 845 kgs | 661 kgs | | |
| | ID-1803W dice | 1,850 lbs. | 1,640 lbs. | 3.93 | 22.3 Gal. 84.4 L |
| REMOTE-COOLED | IY-1805W half-dice | 1,790 lbs. | 1,650 lbs. | 3.92 | 22.3 Gal. 84.4 L |
| | | 814 kgs | 750 kgs | | |
| | IR-1890N regular | 1,690 lbs. | 1,420 lbs. | 4.99 | 22.3 Gal. 84.4 L |
| REMOTE-COOLED | ID-1892N dice | 1,775 lbs. | 1,495 lbs. | 4.96 | 22.3 Gal. 84.4 L |
| | | 807 kgs | 680 kgs | | |
| | IY-1894N half-dice | 1,810 lbs. | 1,445 lbs. | 5.06 | 22.3 Gal. 84.4 L |
| | | 823 kgs | 657 kgs | | 84.4 L |

* Water-cooled Condenser Water Usage / 100 lbs. /45.4 kgs. Of Ice: 181 gal. / 685 L.

* Water-cooled models are excluded from ENERGY STAR qualification.

Order ice storage bin separately. To order 3 phase add "3" suffix to model # (ID-1202A3).

Accessories

LuminIce™ Growth Inhibitor reduces yeast and bacteria growth for a cleaner ice machine.



Bin Level Control Allows ice bin level to be automatically set. Built-in LED light illuminates bin.



Arctic Pure® Water Filters Reduces sediment and chlorine odors for better tasting ice.



AuCS® schedules and performs routine ice machine cleaning automatically.

