

50Hz

iT0750 Ice Cube Machine

Model: IDT0750A IYT0750A IYT0750W



Indigo NXT Series iT0750 Ice Machine on a D570 Bin

Designed for operators who know that ice is critical to their business, the Indigo[®]NXT Series ice machine's preventative diagnostics continually monitor itself for reliable ice production. Improvements in cleanability and programmability make your ice machine easy to own and less expensive to operate.

- **easyTouch[®] Display** - New icon based touch screen takes the guess work out of owning and operating an ice machine.
- **Multiple Language Capability** - The easyTouch display is available in multiple languages selected in the initial start-up installation Wizard.
- **Programmable Ice Production** - Now its super easy to program your ice machine to be off at certain times of the day to save money with fluctuating electrical rates. Also programmable by daily ice production volume.
- **Easy to Clean Foodzone** - Hinged front door swings out for easy access. Removable water-trough, distribution tube, curtain, and sensing probes for fast and efficient cleaning. Select components made with AlphaSan[®] antimicrobial.
- **Intelligent Diagnostics** - provide 24 hour preventative maintenance and diagnostic feedback for trouble free operation.
- **Acoustical Ice Sensing Probe** - Unique patented technology allows for reliable operation in challenging water conditions and environments.
- **DuraTech[™] Exterior** - provides superior corrosion resistant above stainless steel. Innovative clear-coat resists fingerprints and dirt making it easier to keep clean.
- **Available LuminIce II Growth Inhibitor**- Controls the growth of bacteria and yeast with the food zone keep the machine cleaner longer. A new indicator in the display keeps you abreast of the operational status.
- **Active sense:** insures consistent ice harvest in all environmental conditions. This software solution works in conjunction with the acoustical ice sensing probe improving reliability and performance.

Ice Machine Electric

230/50 /1

Minimum circuit ampacity: Maximum fuse size:

Air Cooled: 6.7
Water Cooled: 6.5

Air Cooled: 15
Water Cooled: 15



Specifications

BTU Per Hour:
12,800 (average)
13,700 (peak)

Refrigerant:
R410 CFC-free
Reduces Global Warming
by 48%

Operating Limits:

- Ambient Temperature Range: 40° to 119° F (4.4 to 43.3 C)
Water Temperature Range: 40° to 90° F (4.4 to 32.2 C)
- Water Pressure Ice Maker Water In: Min. 20 psi (137.9 kPa)
Max. 80 psi (551.1 kPa)

Ice Shape



Half Dice
3/8" x 1 1/8" x 7/8"
(.95 x 2.86 x 2.22 cm)
Cube weight 5.7 g



Dice
7/8" x 7/8" x 7/8"
(2.22 x 2.22 x 2.22 cm)
Cube weight 8.5 g



COMPANY WITH
QUALITY SYSTEM
ISO 9001: 2015

6643B 03/20

Welbilt Deutschland GmbH
Auf der Weih 11
D - 35745 Herborn, Germany
Tel.: +49 27 72 58 050
welbilt.com.de

Welbilt Iberia, S.A.U
Textil, 6 - Pol.Ind. La Ferreria - 08110
Montcada i Reixac
Barcelona, Spain
Tel.: +34 902 20 10 69
welbilt.com.es

Welbilt UK
Ashbourne HouseThe Guildway,
Old Portsmouth RdGuildford GU3
1LRUnited KingdomTel.:
+44 1483 464900
www.welbilt.uk





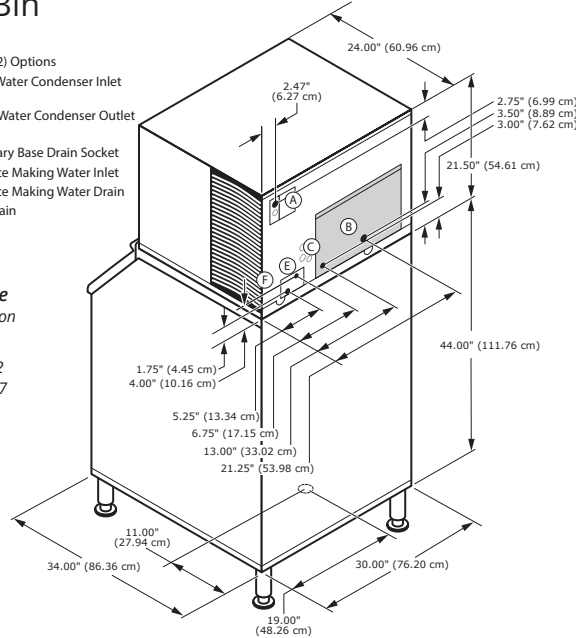
50Hz

iT0750 on D-570 Storage Bin

- Ⓐ Electrical Entrance (2) Options
- Ⓑ 3/8" (0.95 cm) F.P.T. Water Condenser Inlet (water-cooled units)
- Ⓒ 1/2" (1.27 cm) F.P.T. Water Condenser Outlet (water-cooled units)
- Ⓓ 1/2" (1.27 cm) Auxillary Base Drain Socket
- Ⓔ 3/8" (0.95 cm) F.P.T. Ice Making Water Inlet
- Ⓕ 1/2" (1.27 cm) F.P.T. Ice Making Water Drain
- Ⓖ 3/4" (1.91 cm) Bin Drain

Installation Note
Minimum installation clearance:

Top/sides: 8" (20.32 cm); Back is 5" (12.7 cm)



Space-Saving Designs



	iT0750 D-400	iT0750 D-570
Height	59.50" 151.13 cm	71.50" 181.61 cm
Width	30.00" 76.20 cm	30.00" 76.20 cm
Depth	34.00" 86.30 cm	34.00" 86.30 cm
Bin Storage	365 lbs. 165.7 kgs	543 lbs. 241.1 kgs

Height includes adjustable bin legs 6.00" to 8.00", (15.24 to 20.32 cm) set at 6.00" (15.24 cm).
Bin capacity is based on 90% of the volume x 33 lbs/ft³ average density of ice

Specifications

	Model	Ice Shape	Ice Production 24 Hours		Power Usage kWh / 45.4 kgs / 100 lbs. @ 32° Air / 21°C Water 90° Air / 70°F Water	Potable Water Usage/100 lbs. 45.4 kgs of Ice
			70° Air / 50°F Water 21° Air / 10°C Water	90° Air / 70°F Water 32° Air / 21°C Water		
AIR-COOLED	IDT0750A	dice	595 lbs.	485 lbs.	4.72	20.0 Gal. 75.7 L
			270 kgs	220 kgs		
	YIT0750A	half-dice	625 lbs. 283 kgs	507 lbs. 230 kgs	4.72	20.0 Gal. 75.7 L
WATER-COOLED	YIT0750W	half-dice	687 lbs.	604 lbs.	3.31	20.0 Gal. 75.7 L
			312 kgs	274 kgs		

* Water-cooled Condenser Water Usage / 100 lbs. / 45.4 kgs Of Ice: 135 gal. / 511 L.

Order ice storage bin separately. Ice storage bin and JCF0900 remote condenser must be ordered separately. Consult remote condenser specification sheet for details.
This product is hermetically sealed and contains fluorinated greenhouse gas R404A

Accessories

LuminIce® II Growth Inhibitor
reduces yeast and bacteria growth for a cleaner ice machine.



External Scoop holder
Protect the ice scoop with the NSF approved versatile scoop holder.



Arctic Pure® Water Filters
Reduces sediment and chlorine odors for better tasting ice.



iT0750 Ice Cube Machine

Welbilt reserves the right to make changes to the design or specifications without prior notice.

Welbilt Deutschland GmbH
Auf der Weih 11
D - 35745 Herborn, Germany
Tel.: +49 27 72 58 050
welbilt.com.de

Welbilt Iberia, S.A.U
Textil, 6 - Pol.Ind. La Ferreria - 08110
Montcada i Reixac
Barcelona, Spain
Tel.: +34 902 20 10 69
welbilt.com.es

Welbilt UK
Ashbourne House The Guildway,
Old Portsmouth Rd Guildford GU3
1LR United Kingdom
Tel.: +44 1483 464900
www.welbilt.uk

