

50Hz

# iT0900 Ice Cube Machine

iT0900 Ice Cube Machine

Model:  IRT0900A     IYT0900A  
 IDT0900A     IRT0900W



Indigo NXT Series iT0900 Ice Machine on a D570 Bin

Designed for operators who know that ice is critical to their business, the Indigo<sup>®</sup>NXT Series ice machine's preventative diagnostics continually monitor itself for reliable ice production. Improvements in cleanability and programmability make your ice machine easy to own and less expensive to operate.

- **easyTouch<sup>®</sup> Display** - New icon based touch screen takes the guess work out of owning and operating an ice machine.
- **Multiple Language Capability** - The easyTouch display is available in multiple languages selected in the initial start-up installation Wizard.
- **Programmable Ice Production** - Now its super easy to program your ice machine to be off at certain times of the day to save money with fluctuating electrical rates. Also programmable by daily ice production volume.
- **Easy to Clean Foodzone** - Hinged front door swings out for easy access. Removable water-trough, distribution tube, curtain, and sensing probes for fast and efficient cleaning. Select components made with AlphaSan<sup>®</sup> antimicrobial.
- **Intelligent Diagnostics** - provide 24 hour preventative maintenance and diagnostic feedback for trouble free operation.
- **Acoustical Ice Sensing Probe** - Unique patented technology allows for reliable operation in challenging water conditions and environments.
- **DuraTech<sup>™</sup> Exterior** - provides superior corrosion resistant above stainless steel. Innovative clear-coat resists fingerprints and dirt making it easier to keep clean.
- **Available Luminice II Virus and Bacteria Inhibitor**- Controls viruses, bacteria, mold and yeast within the foodzone to keep the machine clean longer. A new sanitation icon lets you know the operational status.
- **Active sense** - insures consistent ice harvest in all environmental conditions. This software and/or hardware solution works in conjunction with the acoustical ice sensing probe improving reliability and performance.

## Specifications

### BTU Per Hour:

12,700 (average)  
14,800 (peak)

### Refrigerant:

R410A CFC free 48% lower global warming

### Operating Limits:

Ambient Temperature Range:  
40 to 100 F (4.4 to 43.3 C)

Water Temperature Range:  
40 to 90 F (4.4 to 32.2 C)

Water Pressure Ice Maker Water In:  
Min. 20 psi (137.9 kPa)  
Max. 80 psi (551.1 kPa)

## Ice Machine Electric

230/50/1

### Minimum circuit ampacity:

Air-cooled: 10.7 1ph  
Water-cooled: 10.1 1ph

### Maximum fuse size:

Air-cooled: 15 1ph  
Water-cooled: 15 1ph

### Machine Power Load:

Max: 1,724 W  
Average: 1,422 W



## Ice Shape



**Half Dice**  
3/8" x 1 1/8" x 7/8"  
(.95 x 2.86 x 2.22 cm)  
Cube weight 5.7 g



**Dice**  
7/8" x 7/8" x 7/8"  
(2.22 x 2.22 x 2.22 cm)  
Cube weight 8.5 g



**Regular**  
1 1/8" x 1 1/8" x 7/8"  
(2.86 x 2.86 x 2.22 cm)  
Cube weight 14.2 g



COMPANY WITH QUALITY SYSTEM

6642A 06/19

Welbilt Deutschland GmbH  
Auf der Weih 11  
D - 35745 Herborn, Germany  
Tel.: +49 27 72 58 050  
welbilt.com.de

Welbilt Iberia, S.A.U  
Textil, 6 - Pol.Ind. La Ferreria - 08110  
Montcada i Reixac  
Barcelona, Spain  
Tel.: +34 902 20 10 69  
welbilt.com.es

Welbilt UK  
Ashbourne House The Guildway,  
Old Portsmouth Rd Guildford GU3  
1LR United Kingdom  
Tel.: +44 1483 464900  
www.welbilt.uk





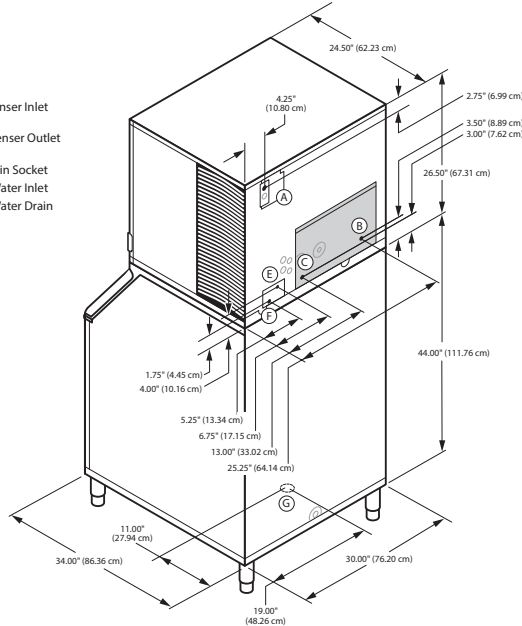
50Hz

**iT0900 on D-570 Storage Bin**

- (A) Electrical Entrance (2) Options
- (B) 3/8" (0.95 cm) F.P.T. Water Condenser Inlet (water-cooled units)
- (C) 1/2" (1.27 cm) F.P.T. Water Condenser Outlet (water-cooled units)
- (D) 1/2" (1.27 cm) Auxillary Base Drain Socket
- (E) 3/8" (0.95 cm) F.P.T. Ice Making Water Inlet
- (F) 1/2" (1.27 cm) F.P.T. Ice Making Water Drain
- (G) 3/4" (1.91 cm) Bin Drain

**Installation Note**  
Minimum installation clearance:

Top/sides: 8" (20.32 cm); Back is 5" (12.7 cm)



**Space-Saving Designs**



	<b>iT0900 D-570</b>	<b>iT0900 D-970</b>
Height	76.50" 194.30 cm	76.50" 194.30 cm
Width	30.00" 76.20 cm	30.00" 76.20 cm
Depth	34.00" 86.30 cm	34.00" 86.30 cm
Bin Storage	543 lbs. 241.1 kgs	882 lbs. 400.1 kgs

Height includes adjustable bin legs 6.00" to 8.00", (15.24 to 20.32 cm) set at 6.00" (15.24 cm).  
Bin capacity is based on 90% of the volume x 33 lbs/ft<sup>3</sup> average density of ice

**Specification**

		Ice Production 24 Hours				Power Usage kWh/ 45.4 kgs /100 lbs. @ 32°Air / 21°C Water 90°Air/70°F Water	Water Usage/100 lbs. 45.4 kgs. of Ice	
Model	Ice Shape	21°Air / 10°C water 70°Air/ 50°F Water	32°Air / 21°C Water 90°Air/ 70°F Water	32°Air / 21°C Water 90°Air/ 70°F Water	1 Ph	Potable Water		
<b>AIR-COOLED</b>	IRT0900A	regular	765 lbs   347 kg	662 lbs   300 kg	4.62	19 Gal.	71.9 L	
	IDT0900A	dice	840 lbs   381 kg	688 lbs   312 kg	4.61	19 Gal.	71.9 L	
	IYT0900A	half-dice	833 lbs   378 kg	741 lbs   336 kg	4.59	19 Gal.	71.9 L	
<b>WATER-COOLED</b>	IRT0900W	regular	735 lbs   333 kg	650 lbs   295 kg	4.57	19 Gal.	71.9 L	

\* Water-cooled Condenser Water Usage / 100 lbs. /45.4 kgs. Of Ice: 145 gal / 549 L.

Order ice storage bin separately.

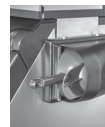
**Accessories**

**LuminIce® II Virus and Bacteria Inhibitor**  
controls viruses and bacteria inside the ice machine.



**External Scoop holder**

Protect the ice scoop with the NSF approved versatile scoop holder.



**Arctic Pure® Water Filters**

Reduces sediment and chlorine odors for better tasting ice.



Welbilt reserves the right to make changes to the design or specifications without prior notice

**Welbilt Deutschland GmbH**  
Auf der Weih 11  
D - 35745 Herborn, Germany  
Tel.: +49 27 72 58 050  
welbilt.com.de

**Welbilt Iberia, S.A.U**  
Textil, 6 - Pol.Ind. La Ferreria - 08110  
Montcada i Reixac  
Barcelona, Spain  
Tel.: +34 902 20 10 69  
welbilt.com.es

**Welbilt UK**  
Ashbourne HouseThe Guildway,  
Old Portsmouth RdGuildford GU3  
1LRUnited KingdomTel.:  
+44 1483 464900  
www.welbilt.uk



iT0900 Ice Cube Machine