



HURRICANE H60 & H90 BOTTLE COOLERS

INSTALLATION AND OPERATING MANUAL

PLEASE LEAVE WITH OPERATOR



Hurricane H60 and H90 Bottle Coolers

Series 3

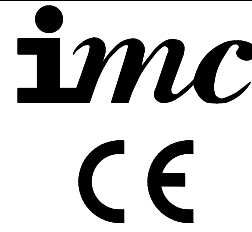
Imperial Machine Company Limited
Unit 1, Abbey Road
Wrexham Industrial Estate
Wrexham LL13 9RF
Tel: +44 (0)1978 661155
Fax: +44 (0)1978 729990
Service Fax: +44 (0)1978 667766
Spares Fax: +44 (0)1978 667759
E-mail: info@imco.co.uk
Website: www.imco.co.uk

A34/039 R9

ECN 8421 Nov 2015

EC DECLARATION OF CONFORMITY
(Guarantee of Production Quality)

We, Imperial Machine Company Limited of:
Unit 1, Abbey Road, Wrexham Industrial Estate, Wrexham, LL13 9RF
Declare under our sole responsibility that the following products



Hurricane H60 and H90

as described in the attached technical documentation, are in conformity with the protection requirements of the Electromagnetic Compatibility Directive 2004/108/EC and manufactured in accordance with harmonised standards EN 61000-6-1: 2001 Immunity and EN 61000-6-3: 2001 Emissions (plus product specific standards).

They also satisfy the essential health and safety requirements of the Low Voltage Directive 2006/95/EC and are manufactured in accordance with standards BS EN 60335-1 and BS EN 60335-24, and the relevant requirements of the Pressure Equipment Directive 97/23/EC.

Approved By:

A handwritten signature in cursive script, appearing to read 'E Plumb'.

Eddy Plumb, Engineering Manager

Date:

Nov 2015

INDEX

GUARANTEE.....	1
DELIVERY	1
SAMPLE RATING LABEL.....	1
INTRODUCTION.....	2
INSTALLATION.....	3
REVERSING DIRECTION OF DOORS.....	4
ELECTRICITY SUPPLY CONNECTION.....	6
COMMISSIONING	6
USING YOUR BOTTLE COOLER.....	7
CLEANING.....	8
CHANGING SHELF POSITION.....	8
CHANGING THE FLUORESCENT LIGHT FITTING H60 & H90.....	9
MAINTENANCE.....	10
DO'S AND DON'TS	10
ORDERING SPARE PARTS.....	11
END OF LIFE DISPOSAL.....	11
MATERIAL CONTENT.....	11
H60 WIRING DIAGRAM	12
H90 WIRING DIAGRAM	13
SPARE PARTS LIST.....	14

GUARANTEE

These bottle coolers are guaranteed by IMC for 1 year from the date of purchase from IMC, or from one of its stockists, dealers or distributors. The guarantee is limited to the replacement of faulty parts or products and excludes any consequential loss or expense incurred by the purchaser. Defects which arise from faulty installation, inadequate maintenance, incorrect use, connection to the wrong electricity supply, or fair wear and tear, are not covered by the guarantee.

The guarantee applies in this form to installations within the United Kingdom.

Please observe these instructions carefully.

DELIVERY


The packaged machine consists of:

H60 Bottle Cooler containing:	
Shelves	2
Shelf clips	8
M90 Bottle Cooler containing:	
Shelves	2
Shelf clips	12
Instruction Booklet	1

Please notify both the carrier and the supplier **within three days** of receipt if anything is missing or damaged.

Check that the correct machine has been supplied and that the voltage, marked on the rating plate, is suitable for the supply available. The rating plate is located on the right hand side of the case.

SAMPLE RATING LABEL

imc IMPERIAL MACHINE COMPANY Ltd LL13 9RF, UNITED KINGDOM TEL +44 (0)1978 661155			
VENTUS BOTTLE COOLER		FREQUENCY(Hz)	50
TYPE / MODEL	H90	IP RATING	IPX1
VOLTAGE RANGE	230	dB (A)	70
PHASE	1	AMPS (MAX)	1.75
SERIES #	3	CLASS	N
R134A	250grms	LIGHT (MAX)	14W
SERIAL NUMBER = 7611110001			

www.imco.co.uk

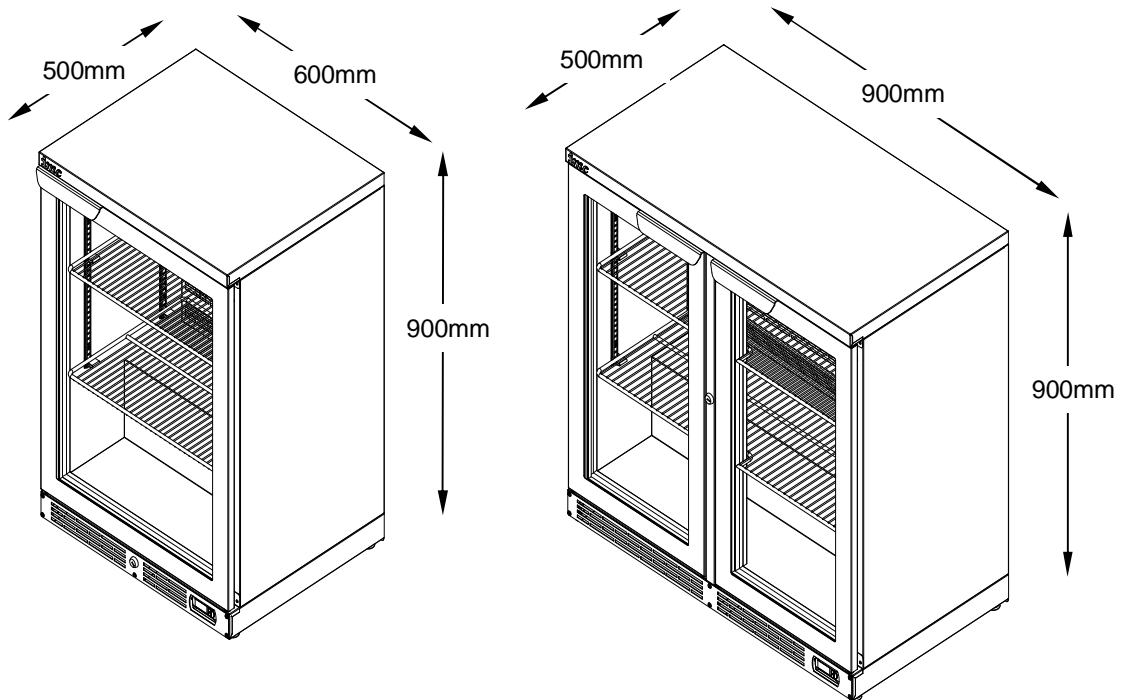
INTRODUCTION

The Hurricane H60 and H90 are back-bar or under-bar refrigerators designed for the cooling and storage of beverages.

The following quantity of beverage bottles can be held in each unit:

Bottle Cooler	Capacity (330ml Bottles)
H60	135
H90	204

Hurricane Dimensions:



H60

H90

INSTALLATION

For the Installer:

These Instructions contain important information designed to help the user obtain the maximum benefit from their investment in an IMC Hurricane Bottle Cooler.

Please read them carefully before starting work, and consult with the supplier in the event of any queries.

Be sure to leave this Instruction Manual with the user after installation of the machine is complete.

Procedure



WARNING

The following table shows the weight and the minimum quantity of people required to lift each unit:

Bottle Cooler	Net Weight	Quantity of People
H60	52 kg	2
H90	82 kg	4

NOTE!

Install the unit on a flat and level floor.

It is important to install the Bottle Cooler on a flat surface. This ensures that the doors are level. Adjustment is provided via the feet, to enable the installer to level the cabinet. Engineer Call-outs in order to level Bottle Coolers, will not be covered under warranty.

Ensure a 10 to 20mm clearance at the top, back and sides. Do not install the unit close to a heat source such as a radiator or the warm air outlet of another piece of refrigeration equipment. Ensure that the unit is standing level by adjusting the feet on either end of the front of the unit.

The unit has an automatic defrost cycle and evaporates all the condensate water without the need for a drainage system.

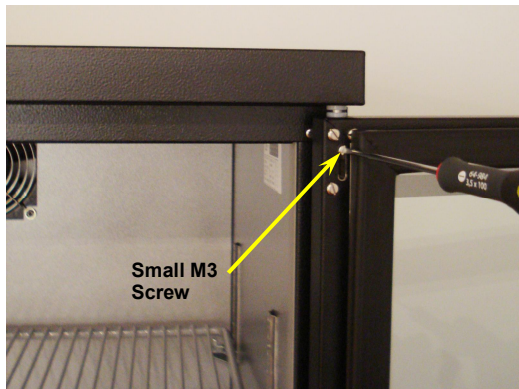
REVERSING DIRECTION OF DOORS

On delivery the door of the Hurricane H60 is hinged on the right hand side of the cabinet. However, it is possible to move the hinge to the other side of the cabinet by following the steps below.

To change the H60 door:

Isolate the electrical supply to the bottle cooler

Open the door fully, through 180° and support the bottom of the door



Using a small flat-headed screwdriver, unscrew the small screw, as shown, until the hinge pin is free to move, then slide down fully using the screw.

Tilt the top of the door away from the cabinet and lift to remove the door from its bottom hinge location. Place the door carefully to one side.

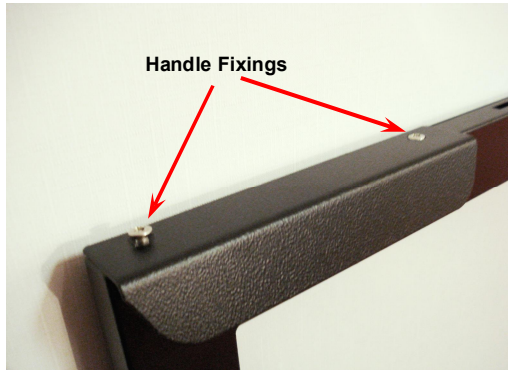


Using a 13mm spanner, unscrew the hinge pin from the base of the cabinet.



Screw hinge pin into the hole located on the opposite side of the worktop.

Remove the nylon bush which is located on the underside of the worktop.

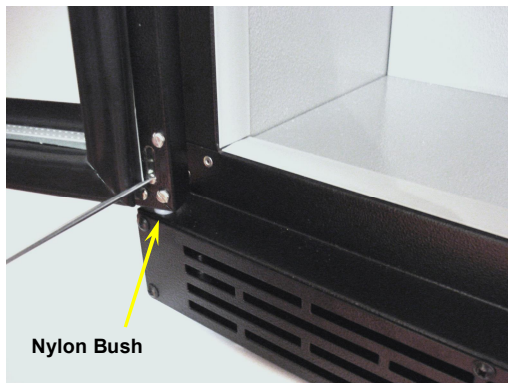


Unscrew the fixings and remove the door handle.



Turn the door over, through 180°, and refit the door handle on the opposite edge of the door.

Locate the top of the door onto the hinge pin whilst supporting its weight.



Ensure the lower hinge pin is retracted and align with the nylon bush in the base of the cabinet.

Extend the hinge pin fully and so that it engages into the nylon bush. Then lock in place by tightening the small screw, as shown.

Close the door and reconnect to the electrical supply.

ELECTRICITY SUPPLY CONNECTION

Position the unit in the chosen site. The electricity supply connection should be made to a power outlet socket or isolator mounted on the wall close to the machine. This socket or isolator must be accessible once the machine is installed. Before connecting, check that the voltage shown on the rating is correct for the electricity supply you have available. If the plug does not fit your sockets or a longer lead is required, changes must be made by an approved electrician.

NOTE: The plug is fitted with a 10amp fuse.

The plug fuse cover must be refitted when changing the fuse. In the event of losing the fuse cover the plug must NOT be used until a replacement fuse cover has been obtained and fitted or the plug replaced.

WARNING: This machine must be earthed

Should the supply cord become damaged then a replacement must be fitted by an approved electrician. The IEE Codes of Practice must be observed.

The wires in the mains lead are coloured in accordance with the following code

Green and yellow	Earth
Blue	Neutral
Brown	Live

COMMISSIONING

Before using a bottle cooler for the first time, the interior should be wiped out with a clean damp cloth.

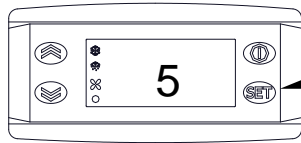
Allow the machine to stand for 1 hour to allow the refrigerant to settle. Plug in and switch on at the wall socket. There is no separate switch to turn on the machine. The compressor will start running 4 minutes after the supply is switched on.

Check that the light is working. The light switch is located inside the cabinet on the right hand end of the top inner panel.

Run the unit empty, and check that cold air is being circulated within the cabinet.

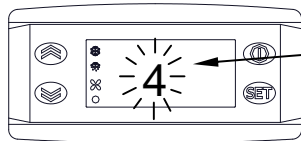
The electronic temperature controller is factory set to 3°C and will cycle the air temperature between 3°C and 6°C. The set point can be adjusted between 2°C and 6°C by following the button sequence below:

1)



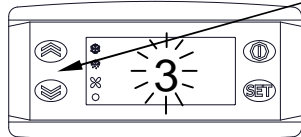
Press and hold this button for 2-3 seconds

2)



Current set point temperature will flash

3)



Using the up and down buttons, scroll to the desired set point temperature (min 0°C, max 7°C)

4)



Press SET button to accept

Then press stand-by button to esc. Display will revert back to current internal air temperature

Extra shelves are available from IMC.

USING YOUR BOTTLE COOLER

This unit is for cooling bottles and cans only. Do not load the cabinet with boxed goods as this prevents air circulation and the goods will not cool down as quickly. While loading ensure that the interior grilles are not obstructed by the bottles.

Do not place hot or warm goods in the cabinet. Only goods at room temperature or less should be placed in the unit, otherwise performance will be affected. It is recommended that the cabinet is stocked after closing at night or first thing in the morning to allow time for the bottles to cool. Ensure that stock is rotated by placing new stock at the back of shelves or in one side of the cabinet to ensure that colder bottles are served first.

Do not leave the doors open when the unit is running as this causes the evaporator to ice up, preventing the unit from operating efficiently.

Ensure that the front grille is always unobstructed.

CLEANING

Clean doors and surfaces as required, occasionally remove all merchandise and clean interior surfaces, with a clean damp cloth.

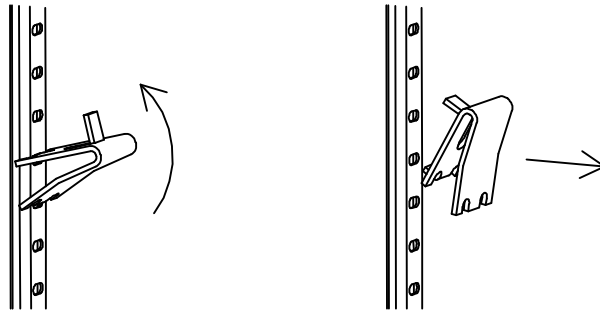
DO NOT USE CLEANING MATERIALS CONTAINING ABRASIVES OR BLEACHES.

In the case of heavy soiling use a mild liquid detergent. The unit can be washed on the inside using bicarbonate of soda to remove stale smells.

CHANGING SHELF POSITION

The shelves in all Hurricane units are fully adjustable. To adjust the shelves:

- Remove the shelf.
- Unclip the shelf supports as shown below.



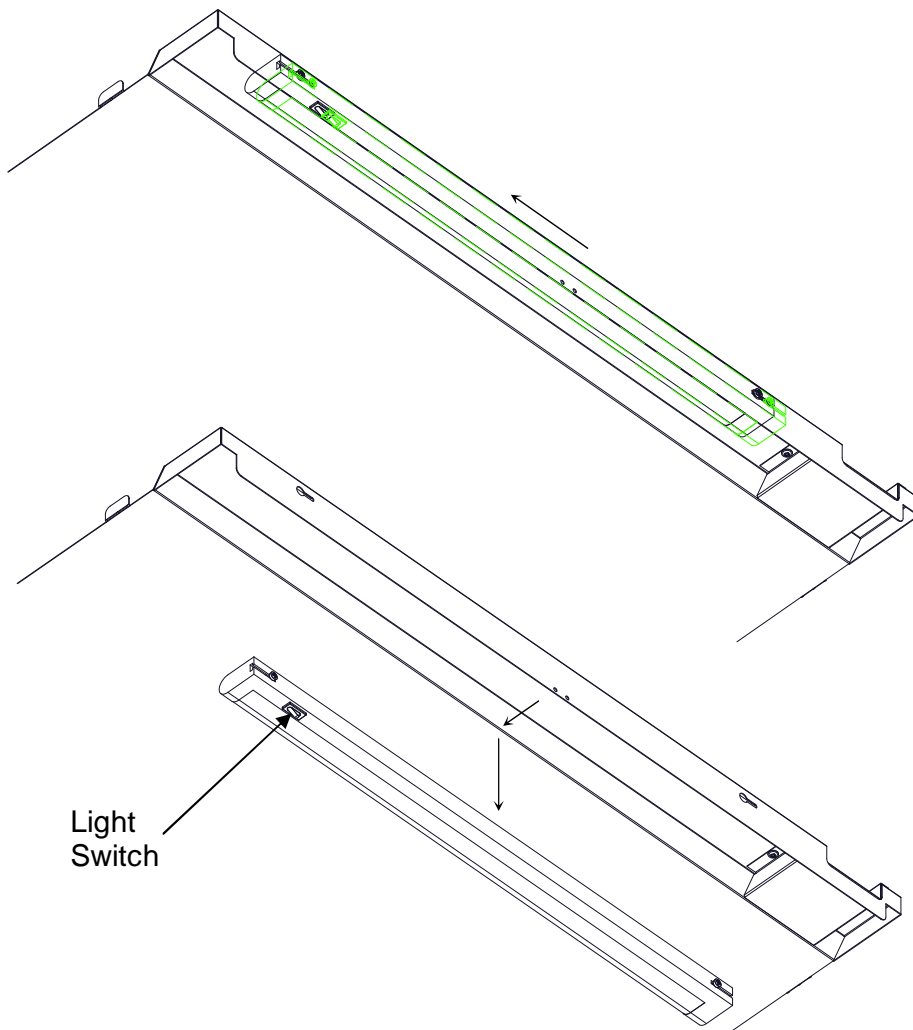
- Hook the shelf supports in the required location.
- Ensure all shelf supports are at the same height for a level shelf. The support strips are numbered to aid positioning.
- Replace the shelf.

CHANGING THE FLUORESCENT LIGHT FITTING H60 & H90

The cabinet interior is illuminated by a fluorescent fitting located at the front of the top inner panel. The light switch is located at the left-hand end of the fitting.

To change the fitting:

- Open the front cabinet door(s)
- Ensure the mains power to the unit has been turned off
- Slide the fitting to the left
- Pull the fitting out from the key-hole slots
- Remove power cable from the right-hand end of the fitting
- Connect the new fitting to the power cable and insert into the key-hole slots
- Slide the fitting to the right until it stops
- Re-connect the mains power and ensure the light illuminates by means of the switch.



MAINTENANCE



Warning

Never service, repair or troubleshoot a unit unless you are a professional air conditioning / refrigeration service person. Improper servicing can lead to serious injury or death from fire, electric shock or explosion.

Remove the back panel and clean the compressor coil with a brush and vacuum cleaner every three months or when dirty (whichever is sooner). Also clean the grille at the bottom front of the cabinet.

Other than regular cleaning the unit requires no maintenance by the end user. It is recommended that the unit is serviced by an IMC approved engineer at least once a year.

Details of IMC Service Contracts are available on application.

DO'S AND DON'TS

- Do** Install on a level surface.
- Do** Ensure plug is accessible with the unit installed.
- Do** Regularly clean the condenser and compressor.
- Do** Rotate stock of bottles.
- Don't** Sit or stand on the unit worktop.
- Don't** Load with boxed goods.
- Don't** Leave the doors open.
- Don't** Cover the shelves with any protective materials which may obstruct air circulation through them
- Don't** Install unit in direct sunlight.
- Don't** Block the air inlet grilles.
- Don't** Store food in the unit.
- Don't** Place hot or warm goods in the unit.
- Don't** Use the unit outside.

ORDERING SPARE PARTS

In the event that spare parts or accessories need to be ordered, please always quote the SERIES AND SERIAL NUMBER of the machine. This is to be found inside the cabinet.

For installations outside the UK please contact your supplier.

For information on IMC spares and service support (if applicable), please call IMC on +44 (0)1978 661155. Alternatively, contact us via email or fax:

IMC Service Desk	Fax: +44 (0)1978 667766 E-mail: service@imco.co.uk
IMC Spares Desk	Fax: +44 (0)1978 667759 E-mail: spares@imco.co.uk

END OF LIFE DISPOSAL

At the end of its useful life the unit must be disposed of correctly and safely, to meet the requirements of EU legislation regarding the recovery of ozone depleting substances. The unit must be sent to specialist recovery, recycling and disposal site that is licensed for the disposal of refrigerated equipment. Please note that the insulation in the Hurricane range does not contain any ozone depleting substances. The refrigerant used in the Hurricane H60 and H90 is R134a.

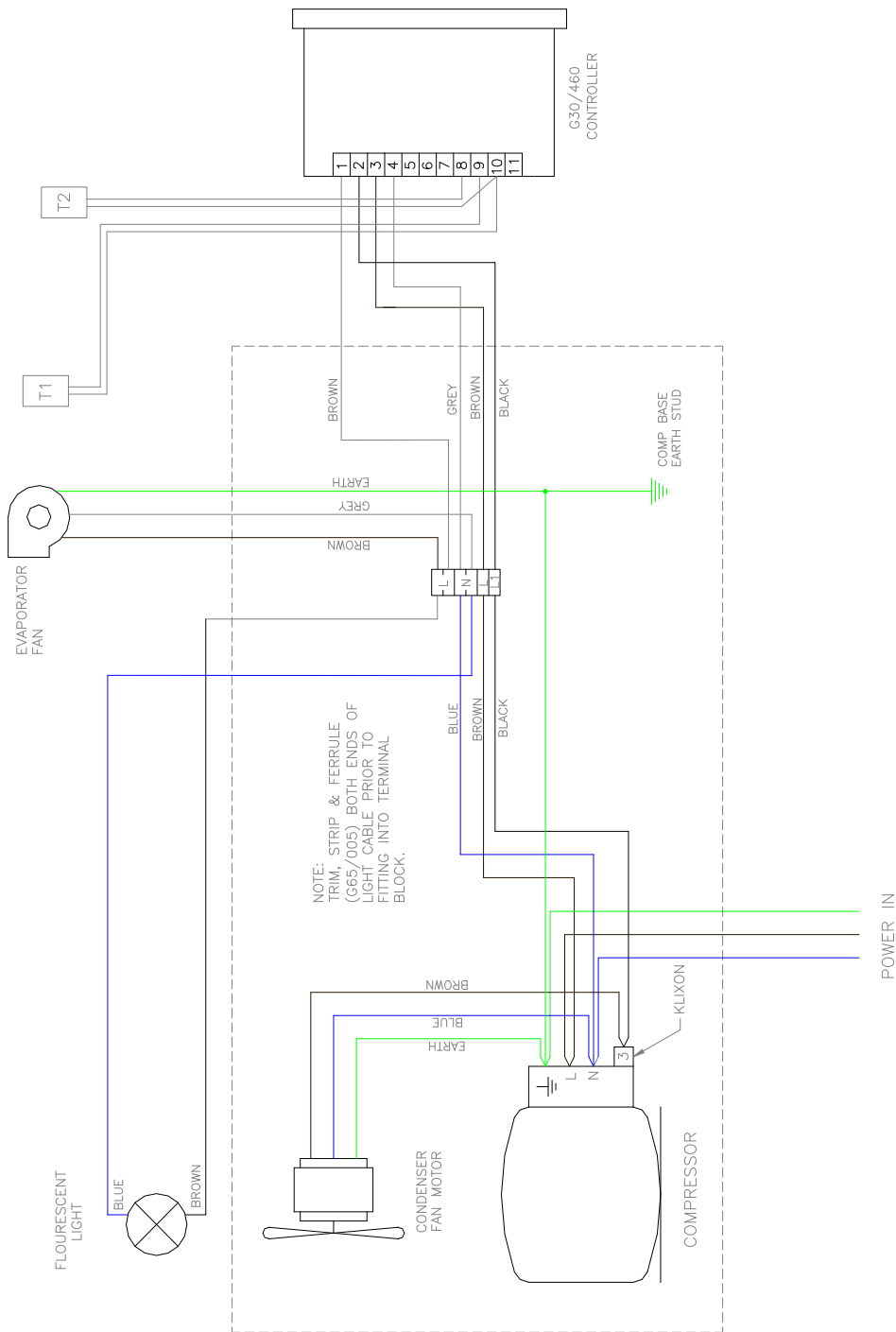
IMC can arrange removal of your redundant bottle coolers, transfer to safe storage and disposal. For more information contact IMC service department.

MATERIAL CONTENT

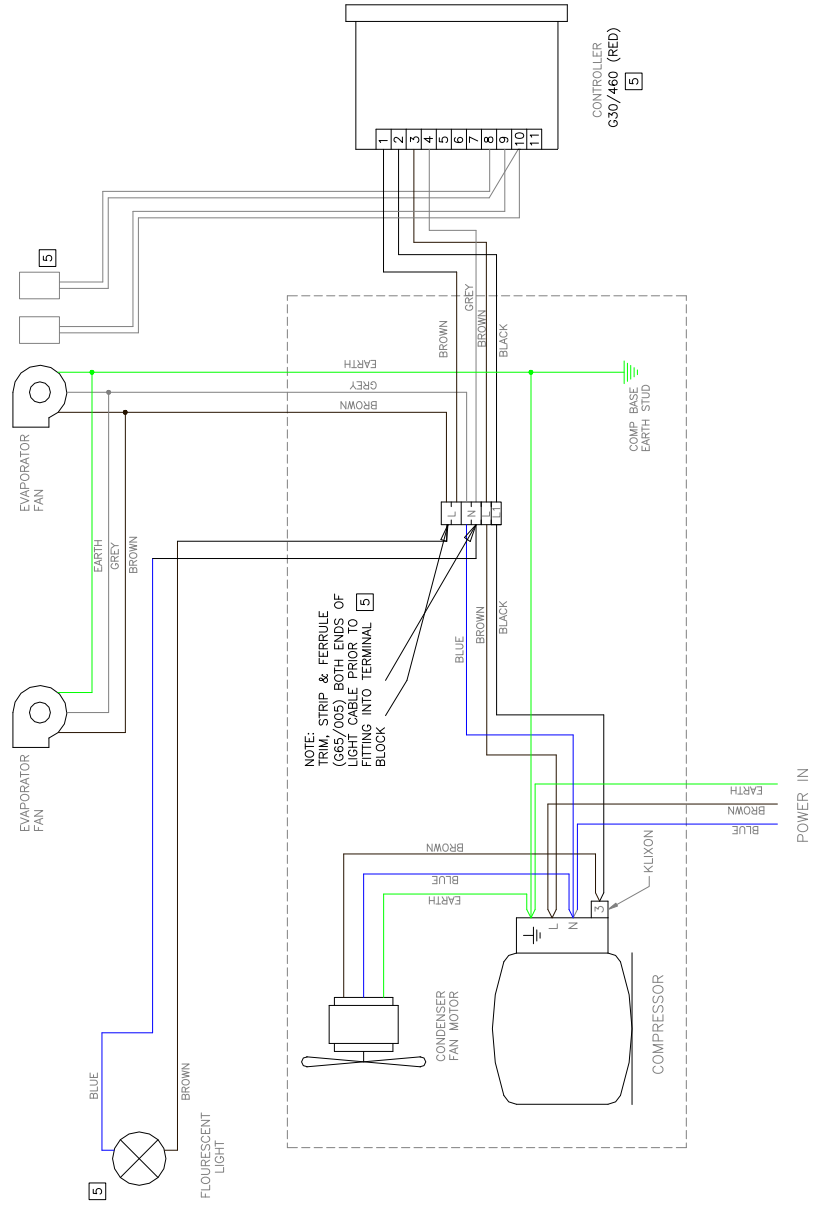
The Hurricane units contain the following materials;

Metals	Mild steel (inc. Nickel Plated, Chrome Plated & Zinc plated), Aluminium and copper
Plastics & Rubber	PVC, Nylon, Polypropylene, Polycarbonate, Polyester, Acetate, Neoprene rubber and silicone rubber
Insulation	Polystyrene, Polyurethane foam
Oils & Gases	Ester oil, Refrigerant R134a
Other	Glass, Magnesium oxide, electronic components.

H60 WIRING DIAGRAM



H90 WIRING DIAGRAM



SPARE PARTS LIST

Hurricane H60 – Series 2		Hurricane H90 – Series 2	
Part No	Description	Part No	Description
A11/276	Door Gasket	A11/275	Door Gasket
A12/073	Pilaster Strip	A12/073	Pilaster Strip
A12/091	Shelf	A12/092	Shelf
A12/094	Shelf Clip (4 per shelf)	A12/094	Shelf Clip (6 per shelf)
G30/460	Eliwell (red) Controller	G30/460	Eliwell (red) Controller
G42/020	Plastic Drip Tray	G42/020	Plastic Drip Tray
G42/041	Compressor	G42/041	Compressor
G50/070	Light fitting 8W	G50/071	Light fitting 14W
G60/348 M1	Mains Cable	G60/348 M1	Mains Cable
G96/049	Evaporator Fan	G96/049	Evaporator Fan
J09/054	Condenser Assembly	J09/046	Condenser Assembly
		G40/239	Condenser Fan . Motor Only
J09/026	Evaporator Coil	J09/045	Evaporator Coil
Q74/001	Refrigeration Pack	Q74/002	Refrigeration Pack
Q74/003	Door (Black)	Q74/005	Door . Left (Black)
		Q74/006	Door . Right (Black)
Q74/004	Door (Silver)	Q74/007	Door . Left (Silver)
		Q74/008	Door . Right (Silver)
Q74/009	Door Handle (Black)	Q74/009	Door Handle (Black)
Q74/010	Door Handle (Silver)	Q74/010	Door Handle (Silver)