

Mistral



*Technical Information
Mistral Bottle coolers*

imc



overview

Mistral bottle coolers are available in single, double or triple door versions, with a choice of stainless steel, painted silver or black mild steel cabinets, with the interior finish in each case being polished stainless steel. Adjustable shelving and lockable doors are standard.

Features include energy efficient forced air cooling for rapid pull-down times, whilst robust construction ensures long term reliability and low operating costs.

Standard models:

- M60 single hinged door
- M90 double hinged doors
- M90 double sliding doors
- M135 triple hinged doors
- TC60 tall single hinged door

Options:

- Solid doors - available at no extra cost (excluding TC60)
- Two pin plug - for use in mainland Europe
- Wine shelves - for safe storage of wine bottles
- Left and right hand door opening for M60 and TC60
- Voltage options:
 - 230v / 50hz
 - 220v / 60hz
 - 115v / 60hz

product conformity

Mistral bottle coolers are manufactured in accordance with the following European Directives:

Machinery Directive (2006/42/EC)

Low Voltage Directive (2006/95/EC)

Electromagnetic Compatibility Directive (2004/108/EC)

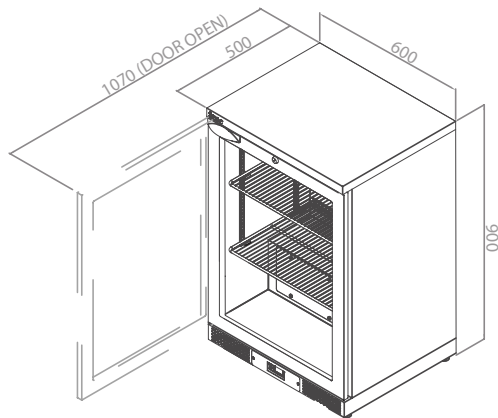
Pressure Equipment Directive (97/23/EC)

And in accordance with the following harmonised European Standards:

EN61000-6-3: 2001 Emissions and EN61000-6-1: 2001 Immunity (plus product specific standards)

BS EN 60335-1 and BS EN 60335-24

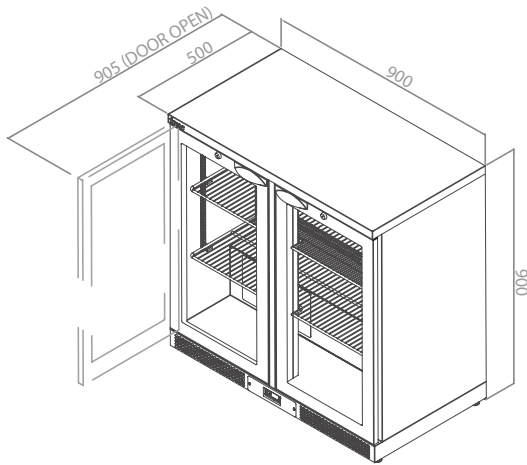
Mistral M60



Storage Capacity	
330ml Bottles	135
Operating Temperature	
Internal Operating Temperature	(°C)+4(+/-2)
Ambient Temperature	+10 to +32
Shipping Specifications	
Weight (kg) (Net)	51
Weight (kg) (Gross)	56
Packing Size (mm) (h x w x d)	1060 x 660 x 580
Packing Volume (m ³)	0.40
Electrical Information	
Voltage (Volts)	230 220 115
Frequency (Hz)	50 60 60
Phase	single
Current Draw (Amps)	1.73
Maximum Dimensions	
Height (mm)	763
Width (mm)	536
Depth (mm)	381

	Part No.	Description	Wine Shelf	220V - 1 Phase - 60Hz	115V - 1 Phase - 60Hz
M60 Glass Door - Right Hand Opening	F77/110BS	M60 - Black Paint Finish	VS 437	VS 361	VS 442
	F77/110SLS	M60 - Silver Paint Finish	VS 437	VS 361	VS 442
	F77/110SS	M60 - Stainless Steel	VS 437	VS 361	VS 442
M60 Glass Door - Left Hand Opening	F77/111BS	M60 - Black Paint Finish	VS 437	VS 361	VS 442
	F77/111SLS	M60 - Silver Paint Finish	VS 437	VS 361	VS 442
	F77/111SS	M60 - Stainless Steel	VS 437	VS 361	VS 442
M60 Solid Door - Right Hand Opening	F77/112BS	M60 - Black Paint Finish	VS 437	VS 361	VS 442
	F77/112SLS	M60 - Silver Paint Finish	VS 437	VS 361	VS 442
	F77/112SS	M60 - Stainless Steel	VS 437	VS 361	VS 442
M60 Solid Door - Left Hand Opening	F77/113BS	M60 - Black Paint Finish	VS 437	VS 361	VS 442
	F77/113SLS	M60 - Silver Paint Finish	VS 437	VS 361	VS 442
	F77/113SS	M60 - Stainless Steel	VS 437	VS 361	VS 442
M60 Glass Door - Right Hand Opening door - EU Plug	F77/110BS EU	M60 - Black Paint Finish	VS 437	VS 361	VS 442
	F77/110SLS EU	M60 - Silver Paint Finish	VS 437	VS 361	VS 442
	F77/110SS EU	M60 - Stainless Steel	VS 437	VS 361	VS 442
M60 Glass Door - Left Hand Opening door - EU Plug	F77/111BS EU	M60 - Black Paint Finish	VS 437	VS 361	VS 442
	F77/111SLS EU	M60 - Silver Paint Finish	VS 437	VS 361	VS 442
	F77/111SS EU	M60 - Stainless Steel	VS 437	VS 361	VS 442
M60 Solid Door - Right Hand Opening door - EU Plug	F77/112BS EU	M60 - Black Paint Finish	VS 437	VS 361	VS 442
	F77/112SLS EU	M60 - Silver Paint Finish	VS 437	VS 361	VS 442
	F77/112SS EU	M60 - Stainless Steel	VS 437	VS 361	VS 442
M60 Solid Door - Left Hand Opening door - EU Plug	F77/113BS EU	M60 - Black Paint Finish	VS 437	VS 361	VS 442
	F77/113SLS EU	M60 - Silver Paint Finish	VS 437	VS 361	VS 442
	F77/113SS EU	M60 - Stainless Steel	VS 437	VS 361	VS 442

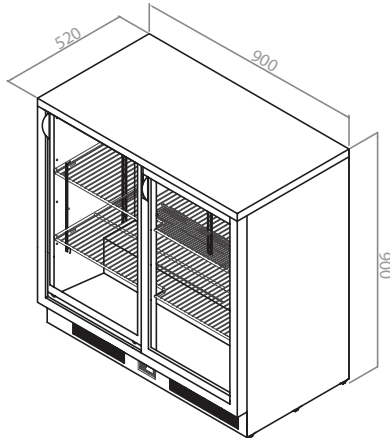
Mistral M90



Storage Capacity	
330ml Bottles	204
Operating Temperature	
Internal Operating Temperature	(°C)+4(+/-2)
Ambient Temperature	+10 to +32
Shipping Specifications	
Weight (kg) (Net)	73.5
Weight (kg) (Gross)	79
Packing Size (mm) (h x w x d)	1060 x 960 x 580
Packing Volume (m ³)	0.59
Electrical Information	
Voltage (Volts)	230 220 115
Frequency (Hz)	50 60 60
Phase	single
Current Draw (Amps)	1.94
Maximum Dimensions	
Height (mm)	763
Width (mm)	836
Depth (mm)	381

	Part No.	Description	Wine Shelf	220V - 1 Phase - 60Hz	115V - 1 Phase - 60Hz
M90 Glass Door	F77/230BS	M90 - Black Paint Finish	VS 438	VS 362	VS 443
	F77/230SLS	M90 - Silver Paint Finish	VS 438	VS 362	VS 443
	F77/230SS	M90 - Stainless Steel	VS 438	VS 362	VS 443
M90 Glass Door - EU Plug	F77/230BS EU	M90 - Black Paint Finish	VS 438	VS 362	VS 443
	F77/230SLS EU	M90 - Silver Paint Finish	VS 438	VS 362	VS 443
	F77/230SS EU	M90 - Stainless Steel	VS 438	VS 362	VS 443
M90 Solid Door	F77/231BS	M90 - Black Paint Finish	VS 438	VS 362	VS 443
	F77/231SLS	M90 - Silver Paint Finish	VS 438	VS 362	VS 443
	F77/231SS	M90 - Stainless Steel	VS 438	VS 362	VS 443
M90 Solid Door - EU Plug	F77/231BS EU	M90 - Black Paint Finish	VS 438	VS 362	VS 443
	F77/231SLS EU	M90 - Silver Paint Finish	VS 438	VS 362	VS 443
	F77/231SS EU	M90 - Stainless Steel	VS 438	VS 362	VS 443

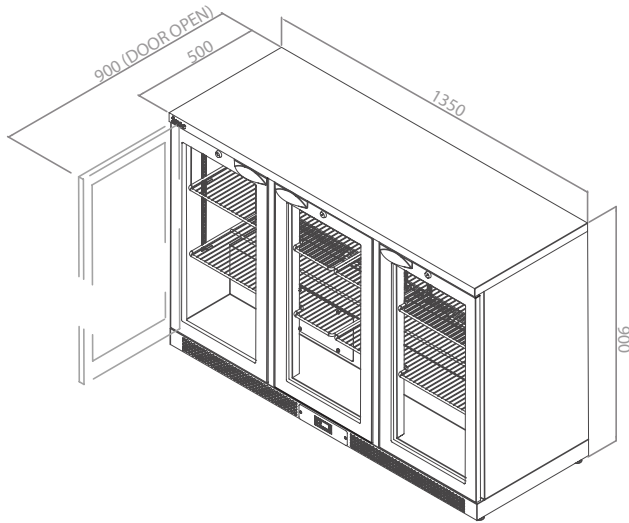
Mistral M90SD



Storage Capacity	
330ml Bottles	207
Operating Temperature	
Internal Operating Temperature	(°C)+4(+/-2)
Ambient Temperature	+10 to +32
Shipping Specifications	
Weight (kg) (Net)	82
Weight (kg) (Gross)	92
Packing Size (mm) (h x w x d)	1060 x 960 x 580
Packing Volume (m ³)	0.59
Electrical Information	
Voltage (Volts)	230 220
Frequency (Hz)	50 60
Phase	single
Current Draw (Amps)	2.61
Maximum Dimensions	
Height (mm)	740
Width (mm)	810
Depth (mm)	390

	Part No.	Description	Wine Shelf	220V - 1 Phase - 60Hz
M90 Sliding Glass Door	F77/440BS	M90 SD - Black Paint Finish	VS 438	VS 221
	F77/440SLS	M90 SD - Silver Paint Finish	VS 438	VS 221
	F77/440SS	M90 SD - Stainless Steel	VS 438	VS 221
M90 Sliding Glass Door - EU Plug	F77/440BS EU	M90 SD - Black Paint Finish	VS 438	VS 221
	F77/440SLS EU	M90 SD - Silver Paint Finish	VS 438	VS 221
	F77/440SS EU	M90 SD - Stainless Steel	VS 438	VS 221
M90 Sliding Solid Door	F77/442BS	M90 SD - Black Paint Finish	VS 438	VS 221
	F77/442SLS	M90 SD - Silver Paint Finish	VS 438	VS 221
	F77/442SS	M90 SD - Stainless Steel	VS 438	VS 221
M90 Sliding Solid Door - EU Plug	F77/442BS EU	M90 SD - Black Paint Finish	VS 438	VS 221
	F77/442SLS EU	M90 SD - Silver Paint Finish	VS 438	VS 221
	F77/442SS EU	M90 SD - Stainless Steel	VS 438	VS 221

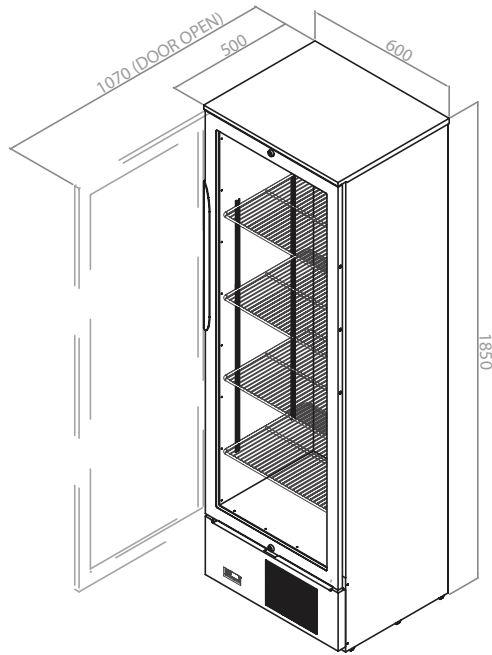
Mistral M135



Storage Capacity	
330ml Bottles	306
Operating Temperature	
Internal Operating Temperature	(°C)+4(+/-2)
Ambient Temperature	+10 to +32
Shipping Specifications	
Weight (kg) (Net)	114
Weight (kg) (Gross)	125
Packing Size (mm) (h x w x d)	1070 x 1420 x 580
Packing Volume (m ³)	0.88
Electrical Information	
Voltage (Volts)	230 220 115
Frequency (Hz)	50 60 60
Phase	single
Current Draw (Amps)	4.75
Maximum Dimensions	
Height (mm)	763
Width (mm)	1286
Depth (mm)	381

	Part No.	Description	Wine Shelf	220V - 1		115V - 1	
				Phase - 60Hz		Phase - 60Hz	
M135 Glass Door	F77/300BS	M135 - Black Paint Finish	VS 439	VS 445	VS 444	VS 444	VS 444
	F77/300SLS	M135 - Silver Paint Finish	VS 439	VS 445	VS 444	VS 444	VS 444
	F77/300SS	M135 - Stainless Steel	VS 439	VS 445	VS 444	VS 444	VS 444
M135 Glass Door - EU Plug	F77/300BS EU	M135 - Black Paint Finish	VS 439	VS 445	VS 444	VS 444	VS 444
	F77/300SLS EU	M135 - Silver Paint Finish	VS 439	VS 445	VS 444	VS 444	VS 444
	F77/300SS EU	M135 - Stainless Steel	VS 439	VS 445	VS 444	VS 444	VS 444
M135 Solid Door	F77/302BS	M135 - Black Paint Finish	VS 439	VS 445	VS 444	VS 444	VS 444
	F77/302SLS	M135 - Silver Paint Finish	VS 439	VS 445	VS 444	VS 444	VS 444
	F77/302SS	M135 - Stainless Steel	VS 439	VS 445	VS 444	VS 444	VS 444
M135 Solid Door - EU Plug	F77/302BS EU	M135 - Black Paint Finish	VS 439	VS 445	VS 444	VS 444	VS 444
	F77/302SLS EU	M135 - Silver Paint Finish	VS 439	VS 445	VS 444	VS 444	VS 444
	F77/302SS EU	M135 - Stainless Steel	VS 439	VS 445	VS 444	VS 444	VS 444

Mistral TC60



Storage Capacity	
330ml Bottles	272
Operating Temperature	
Internal Operating Temperature	(°C)+4(+/-2)
Ambient Temperature	+10 to +32
Shipping Specifications	
Weight (kg) (Net)	87
Weight (kg) (Gross)	98
Packing Size (mm) (h x w x d)	2000 x 660 x 580
Packing Volume (m ³)	0.77
Electrical Information	
Voltage (Volts)	230 220
Frequency (Hz)	50 60
Phase	single
Current Draw (Amps)	5.24
Maximum Dimensions	
Height (mm)	1475
Width (mm)	525
Depth (mm)	390

	Part No.	Description	Wine Shelf	220V - 1 Phase - 60Hz
TC60 Glass Door	F77/510BS	TC60 - Black Paint Finish	VS437	VS 398
	F77/510SLS	TC60 - Silver Paint Finish	VS437	VS 398
	F77/510SS	TC60 - Stainless Steel	VS437	VS 398
TC60 Glass Door - EU Plug	F77/510BS EU	TC60 - Black Paint Finish	VS437	VS 398
	F77/510SLS EU	TC60 - Silver Paint Finish	VS437	VS 398
	F77/510SS EU	TC60 - Stainless Steel	VS437	VS 398



IMC was founded in 1906 and has established itself as a leading manufacturer of commercial catering and bar equipment, with a reputation for quality, innovation and unrivalled customer service.

*Imperial Machine Company Ltd
Unit 1 Abbey Road
Wrexham Industrial Estate
Wrexham LL13 9RF
United Kingdom*

t +44 (0)1978 661155

f +44 (0)1978 729990

e sales@imco.co.uk

e spares@imco.co.uk

w www.imco.co.uk

imc