



Special Installation



Site Survey



# Serve Over Counter Master Range

## Product Description

The elegant Master range with its high curved glass deep deck and ambient shelf is an ideal unit for general display. A low volume fan helps give even cooling over the whole deck without drying out food being displayed. An interior light, rear serving shelf and hinged doors to the understorage make this an excellent all round cabinet for deli's and cafes. The front glass hinges forwards to allow easy cleaning.

## Features and Benefits

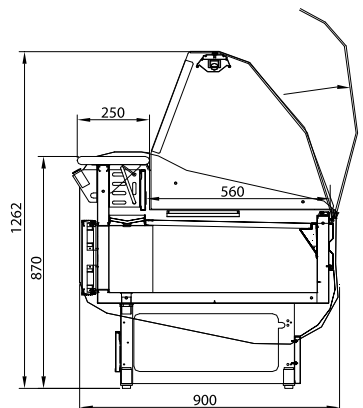
- Fully automatic
- Low volume fan for even cooling
- Adjustable feet
- Interior light with switch
- Digital controller and temperature display
- Ambient shelf
- Hinged glass for easy cleaning
- Hinged doors to refrigerated understorage

## Technical Specifications

Temperature Range	+1/+10°C
Refrigerant	R404a or R507
Type of Defrost	Off Cycle
Exterior Finish	Grey
Interior Finish	White
Power Required	13 Amp
Max Ambient	25°C at 60% RH
Climate Class	3



**MA150C**



Model	Description	Ext.	Dimensions (mm)			Kg	Price	Next Day
			H	W	D			
MA100C	Grey Curved Glass	Ext.	1262	1040	898	135	£1,560	X
MA150C	Grey Curved Glass	Ext.	1262	1520	898	165	£1,785	X
MA200C	Grey Curved Glass	Ext.	1262	2000	898	195	£2,214	X
MA250C	Grey Curved Glass	Ext.	1262	2480	898	235	£2,548	X
MA300C	Grey Curved Glass	Ext.	1262	2960	898	275	£3,055	X

