

J 100 Ultra



**D**

Juice extraction rate	160 litres/hour
-----------------------	-----------------

A glass of ultra-fresh juice in just 7 seconds

**E** PRODUCT FEATURES

**MOTOR BASE**

- Induction direct drive motor for intensive use.
- Very powerful, heavy-duty motor so quiet it can be used right in front of the customer.
- Power: 1,000 W.
- Stainless-steel bowl and motor unit.
- Magnetic safety device and motor brake.
- Constant speed: 3,000 rpm.

**JUICER FUNCTION**

- All-metal juicer boasting our Auto Feed system (Ø 79 mm = whole apple) for continuous throughput.
- Stainless-steel juicer basket, grating disc and filter for easy cleaning and aftercare.
- No-splash spout.
- High clearance (256 mm), allowing a jug or cocktail glass to be placed underneath the spout.
- Two ways of using your juicer:
  - an ejection chute sends a continuous flow of pulp directly into a bin under the worktop.
  - pulp goes into a 7.2-l, large-capacity container with translucent sides.


**A** SALES FEATURES

With the J 100 Ultra, you can juice all types of fruit and vegetables in a matter of seconds. Equipped with a continuous-flow ejection chute for even greater user convenience.

**B** TECHNICAL FEATURES

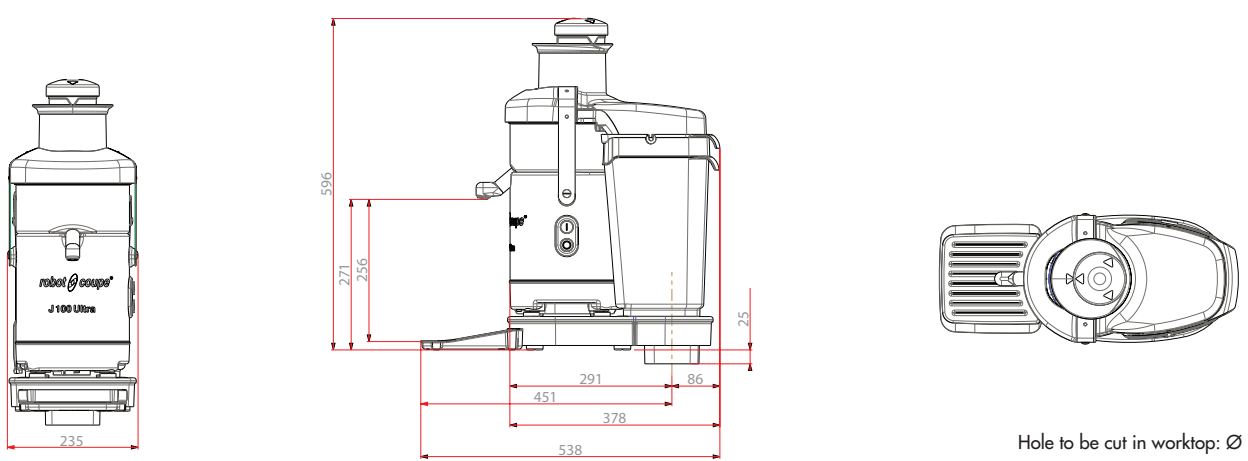
J 100 Ultra juicer – 230V/50Hz/1ph. Power: 1,000 W. Constant speed: 3,000 rpm. Magnetic safety device and motor brake. Stainless-steel bowl and motor unit. Equipped with a large patented automatic feed tube (Ø 79 mm). Stainless-steel juicer basket, grating disc and filter. Extraction rate: 160 l/h, equivalent to one glass of fresh juice every 7 s. Supplied with both an ejection chute (strap supplied), designed to send a continuous flow of pulp directly into a bin under the worktop, and a 7.2-litre, large-capacity pulp container, plus a drip tray and a special no-splash spout.

**STANDARDS**  
 EN 12100-1 and 2 - 2004, EN 60204- 1 - 2006, EN 1678 - 1998, EN 60529-2000: IP 55, IP 34.



**C** TECHNICAL DATA

<b>Power</b>	1,000 Watts	
<b>Electrical datas</b>	Single phase - plug supplied	
<b>Constant speed</b>	3,000 rpm	
<b>Dimensions (LxWxH)</b>	235 x 538 x 596 mm	
<b>Gross weight</b>	15.4 kg	
	<b>Supply</b>	<b>Amperage</b> <b>Reference</b>
	<del>230V/50/1</del>	<del>56100A</del>
	230V/50/1 UK plug	56101A
	230V/50/1 DK	56107A
	<del>120V/60/1</del>	<del>56105A</del>
	<del>220V/60/1</del>	<del>56104A</del>



Hole to be cut in worktop: Ø 100 mm