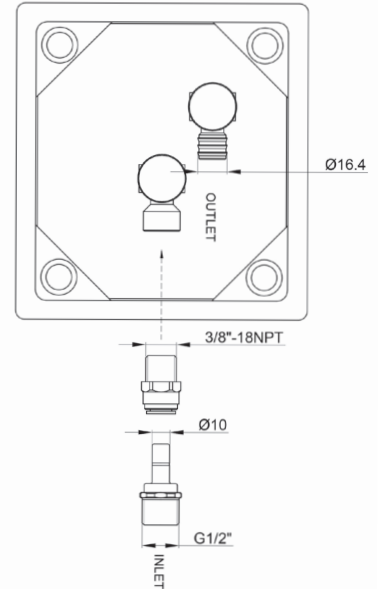
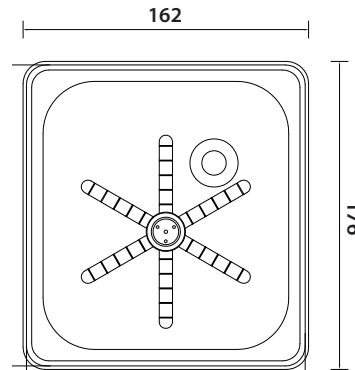


JUG RINSER | JR01A



TECHNICAL INFORMATION

| | | |
|-------------------------|---|--------------------|
| Part number | JR01A | |
| Outer dimensions | 176 mm (L) x 162 mm (W) - inset | |
| GN Size | 1/6 x 65mm deep | |
| Weight | 1.6kg | |
| Material | Stainless steel | |
| Flow rate | Water pressure | GPM on outlet |
| | 0.2Mpa | 3.7L/MIN (1.90GPM) |
| | 0.3Mpa | 5.4L/MIN (2.17GPM) |
| Connection | 3/8" - 18 NPT - G 1/2" | |
| Warranty | 1 year from date of purchase (back to base) | |
| Complete with | Rubber gasket | |

Please note – Always have the product to hand before cutting the worktop, dimensions subject to change without notice.

For more information on any of our products, please contact our sales team on **01327 311144**

The Die-Pat Centre | Broad March | Daventry | NN11 4HE | www.die-pat.co.uk

