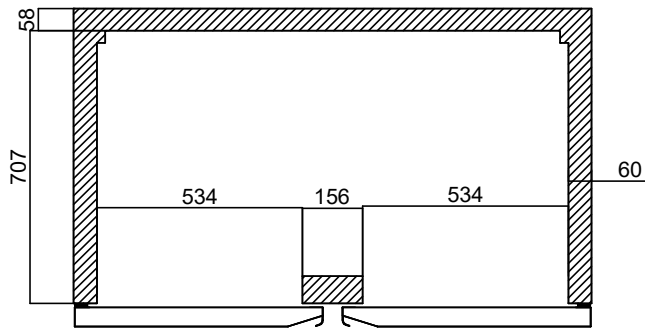
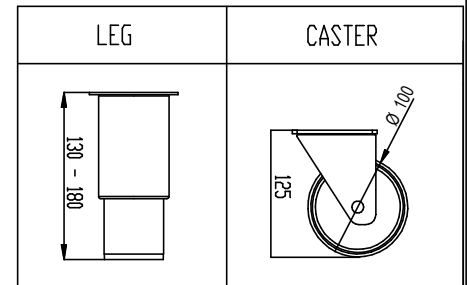


A-A



B-B



BRAND NAME		MODEL NAME	
R&D	NAME	DATE	PROJECT NO
DRAWN	LMERT	05.04.2022	
CONTROL	B.TASKIRAN	05.04.2022	AUTHOR
APPROV.	MHACI	05.04.2022	-
		DIN 7168 M	
		THICKNESS	REVISION
			0
		SCALE	1/5

HOSHIZAKI		
DESCRIPTION	ADVANCE 140 KF	
DESCRIPTION 2	ADVANCE 140 KF	
DRAWING NO		

DO NOT SCALE FROM DRAWING!

ALL DIMENSIONS ARE IN (mm)

WEIGHT (gr)

THICKNESS

REVISION

0

SCALE

1/5

DRAWING NO