

# Spare parts list

## COMPACT K 220

Item number: 765042442

Release date: 10.11.20

Released by: JABP

Revision date: 26.11.20

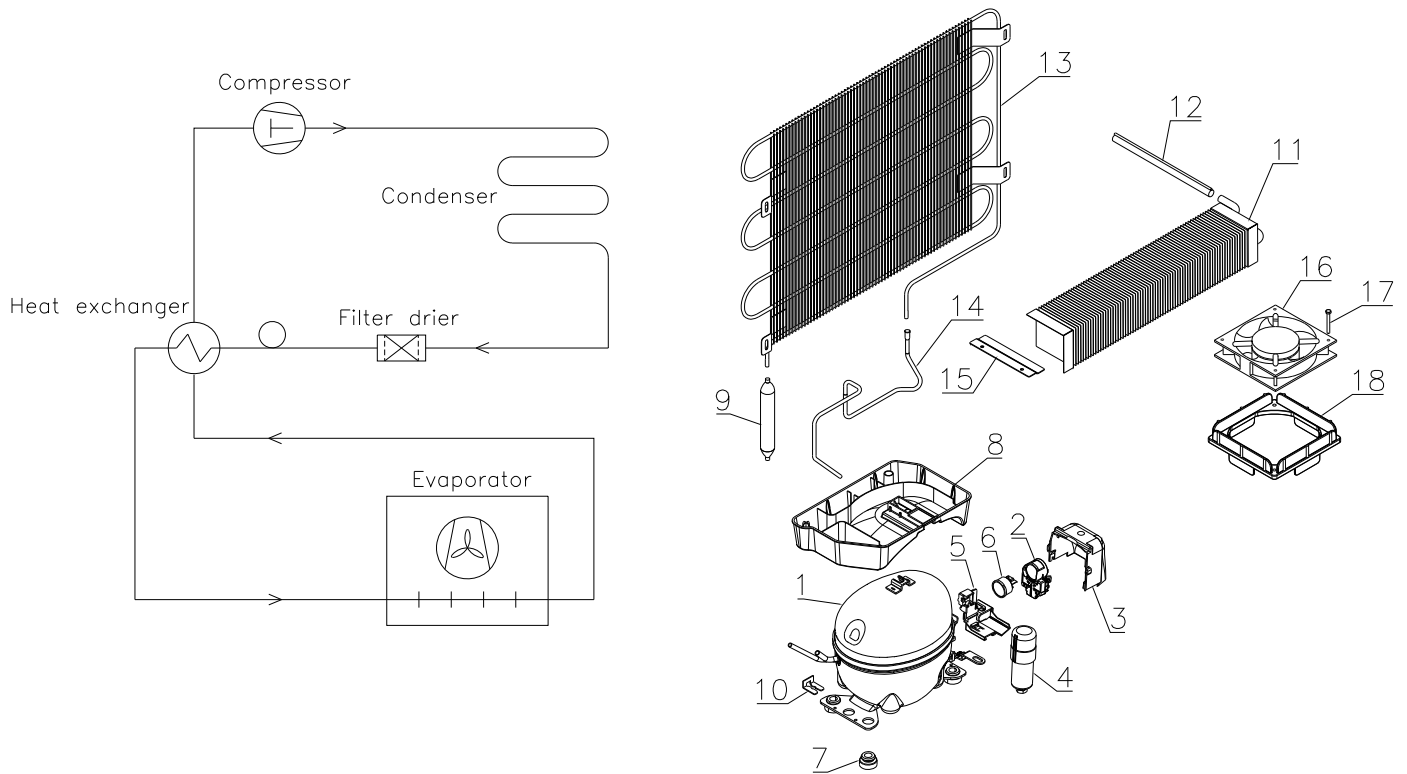
Revision no.: 001

## Content

Refrigeration system parts .....	3
Sensors and sensor positioning .....	4
Cabinet parts .....	5
Table top parts .....	6
Door.....	7
Notes .....	8

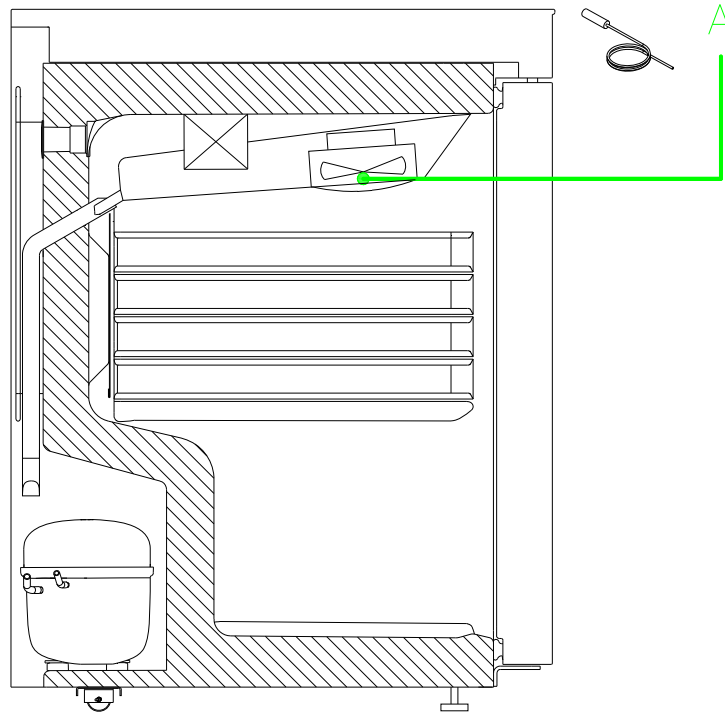
## Refrigeration system parts

K 220



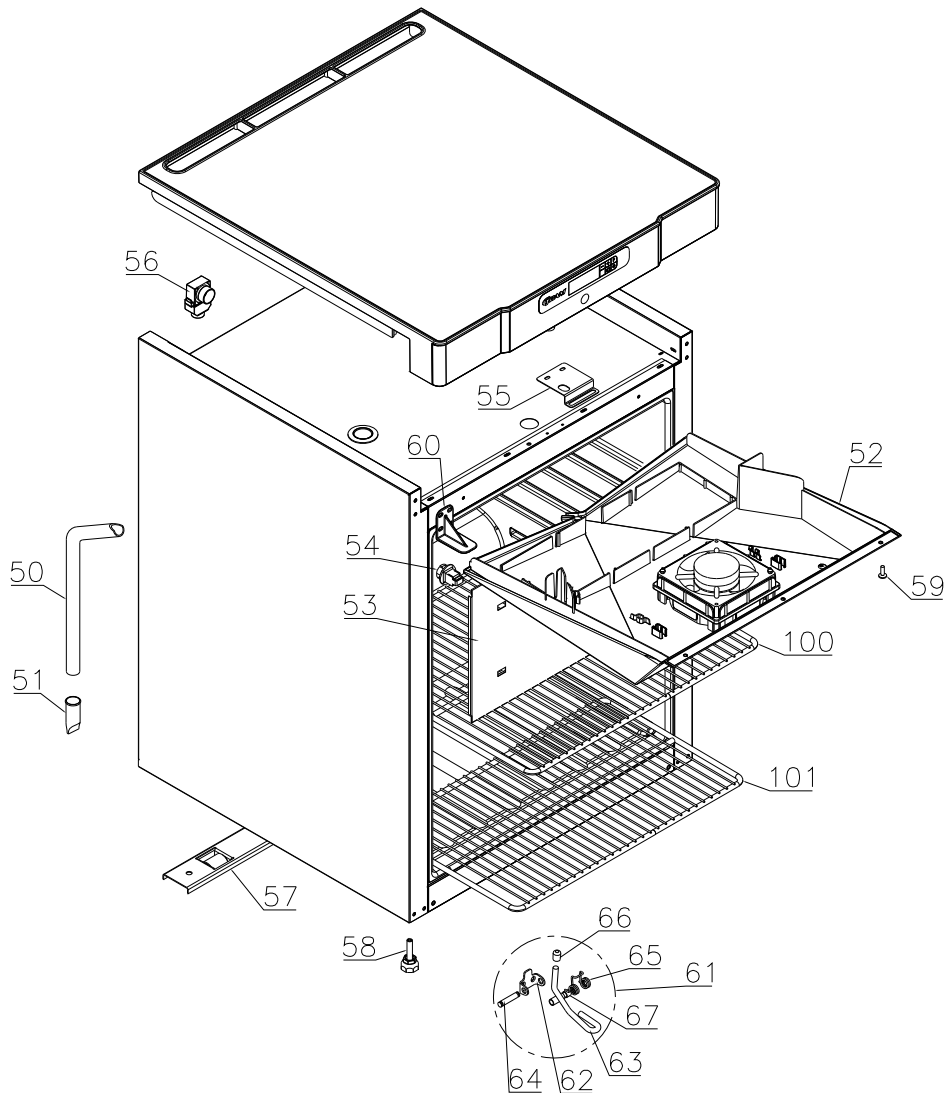
Item no.	Description	Gram part no.	Issued	Deleted
1	Compressor EMX20CLC	502900108	4620	
2	Starter PTC group	453050200	4620	
3	Cover	452440021	4620	
4	Run capacitor	451723551	4620	
5	Anchorage assembly	452440020	4620	
6	Protector	452440600	4620	
7	Rubber bush	760080519	4620	
8	Re-evaporation tray	410820014	4620	
9	Filter drier	761221321	4620	
10	Compressor clip	760082367	4620	
11	Evaporator	765080411	4620	
12	Heat exchanger	762222400	4620	
13	Condenser	761223014	4620	
14	Re-evaporation pipework	760000451	4620	
15	Evaporator suspension bracket	761223070	4620	
16	Evaporator fan 12V DC	765071446	4620	
17	Screw for fan	420790001	4620	
18	Fan gasket	761223110	4620	

## Sensors and sensor positioning



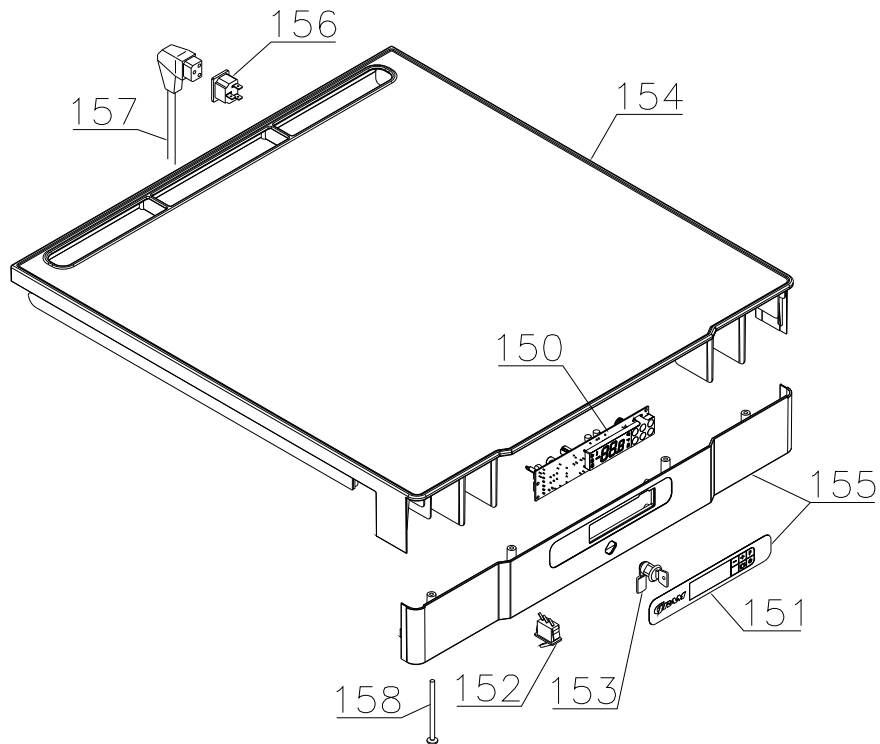
Item no.	Description	Gram part no.	Issued	Deleted
A	Temperature sensor	453531535	4620	

## Cabinet parts



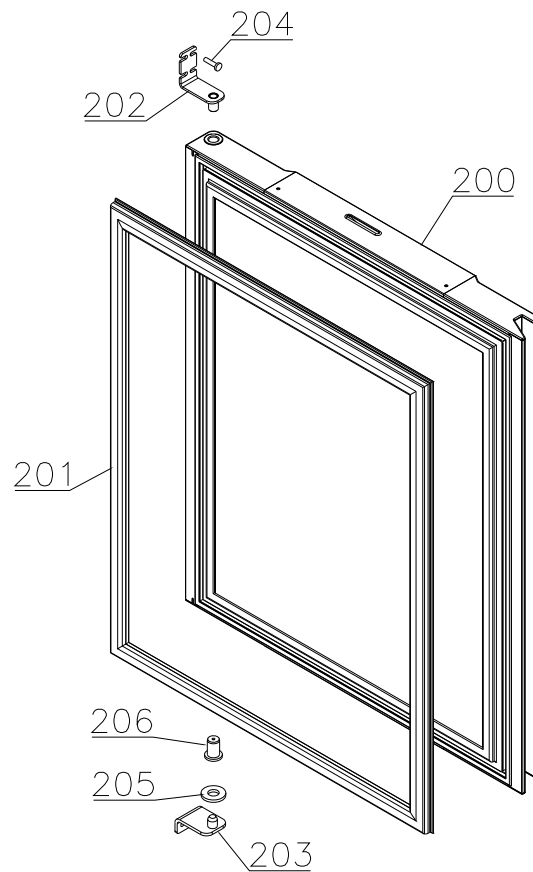
Item no.	Description	Gram part no.	Issued	Deleted
50	Drain pipe	761221755	4620	
51	Water trap	760082891	4620	
52	Drip tray complete w/fan	762223098	4620	
53	Air distribution plate	761222997	4620	
54	Suspension plug	765081213	4620	
55	Lock bracket	761222761	4620	
56	Air relief valve	765081206	4620	
57	Wheel bracket complete	761223051	4620	
58	Adjustment screw	761223073	4620	
59	Screw M4x16	422701022	4620	
60	Cover bracket	761222758	4620	
61	Foot pedal complete	819581052	4620	
62	Bracket for pedal	761224006	4620	
63	Pedal arm	761224002	4620	
64	Spindle	761224007	4620	
65	Spring	761224005	4620	
66	Plastic cap	581400021	4620	
67	Bush	761224008	4620	
100	Wire shelf large, white	818721001	4620	
101	Wire shelf small, white	818721019	4620	

## Table top parts



Item no.	Description	Gram part no.	Issued	Deleted
150	Electronic controller	453580600	4620	
151	Label for controller	762222649	4620	
152	Door switch	765070895	4620	
153	Door lock	765081280	4620	
154	Tabletop upper part, grey	761222891	4620	
154	Tabletop upper part, white	761222890	4620	
155	Tabletop front, grey	762222680	4620	
155	Tabletop front, white	762222681	4620	
156	Appliance inlet	451022002	4620	
157	Mains cable, EU	765072630	4620	
157	Mains cable, UK	765072631	4620	
157	Mains cable, DK	765072632	4620	
158	Screw M4x70	420178125	4620	

## Door



Item no.	Description	Gram part no.	Issued	Deleted
200	Door complete, stainless	762222651	4620	
200	Door complete, white	762222652	4620	
201	Door gasket	761222727	4620	
202	Upper hinge	761222901	4620	
203	Lower hinge	761222904	4620	
204	Screw for hinge	422733001	4620	
205	Washer	760250524	4620	
206	Bush	761220979	4620	

## Notes
