

HOSHIZAKI
Advance



Parts list for Advance K70



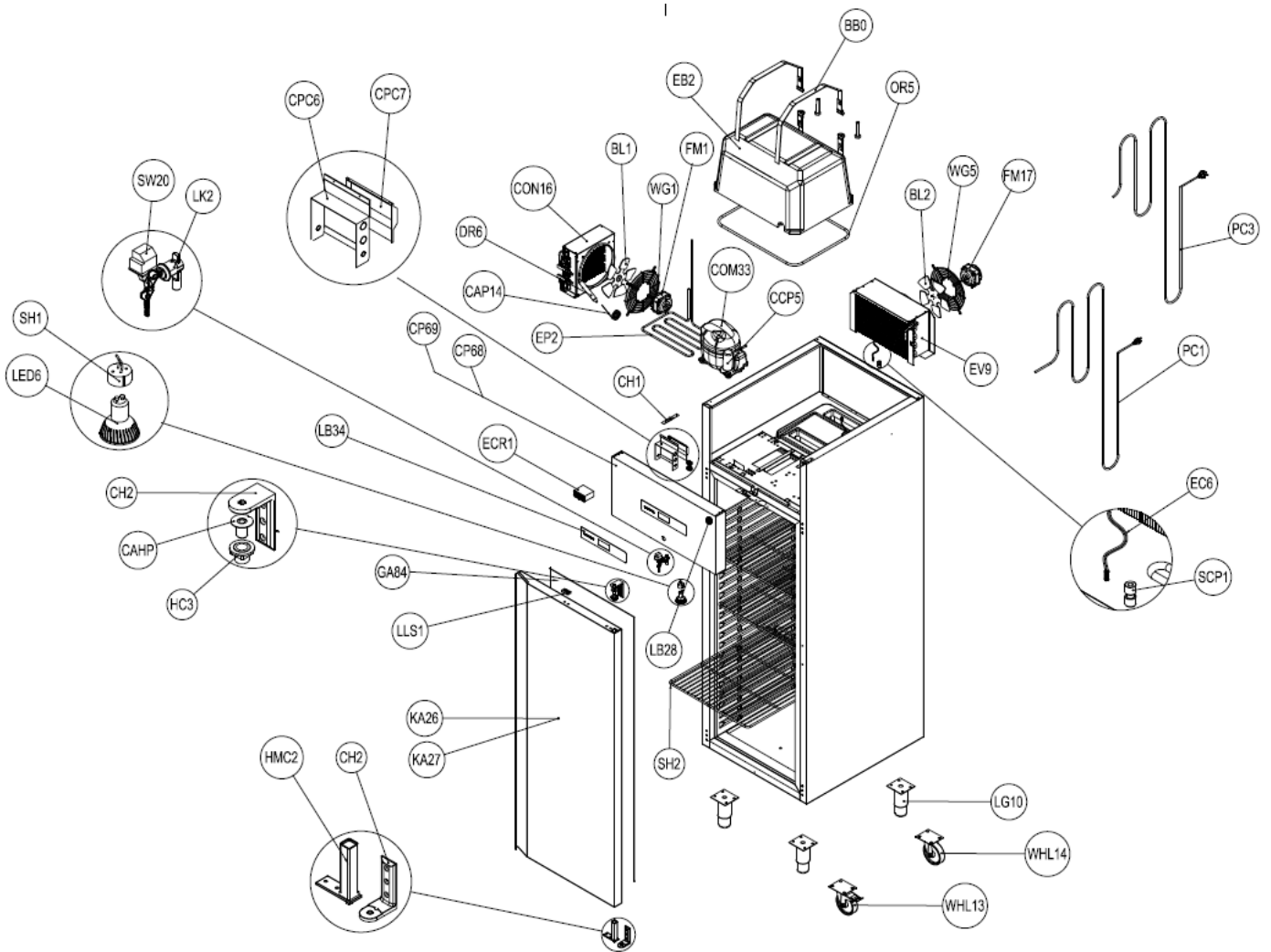
HOSHIZAKI Advance K70

Description :

Parts list for Advance K70

Compiled.		Latest revision.			Deleted.	
Date	Name	Date	Name	Rev.no	Date	Name
24 th Aug, 2022	Orcan Ucan	2 nd March, 2022	Mustafa Dede	1		

Exploded view



HOSHIZAKI Advance K70

Description :

Parts list for Advance K70

Compiled.		Latest revision.			Deleted.	
Date	Name	Date	Name	Rev.no	Date	Name
24 th Aug, 2022	Orcan Ucan	2 nd March, 2022	Mustafa Dede	1		

PICTURE ID	DESCRIPTION	Hoshizaki item code
BB0	CABINET BOX BELT	760660455
BL1	CONDENSER FAN BLADE IMPELLER ALU. Q20 CM-28°	760660079
BL2	CONDENSER FAN BLADE IMPELLER ALU. Q20 CM-34°	760660080
CAHP	CABINET HINGE PIN	760660031
CAP14	CAPILLARY 0,90*3,60	760660245
CCP5	RUN CAPACITOR 5MFD	760660280
CH1	CANOPY HINGE 245-061-061	760660218
CH2	CABINET HINGE	760660078
COM33	COMPRESSOR R-290 EMBRACO EMC 3117 U	760660246
CON16	CONDANSER 4R-10T-200-1,6 (MA 20 162)	760660247
CP68	CONTROL PANEL ADVANCE WITH LABEL-CABINET SINGLE (G)	760660313
CP69	CONTROL PANEL ADVANCE WITH LABEL-CABINET SINGLE 430 (G)	760660314
CPC1	CONTROL UNIT COVER BOTTOM BODY	760660046
CPC2	CONTROL UNIT COVER REAR LID	760660047
CPC5	CABLE GLAND PG 21	760660092
DR5	DRYER 20 GR DOUBLE INLET 6-6,35*2,5	760660173
EB2	EPS EVAPORATOR COVER FOR CABINETS	760660224
EC6	DIGITAL SENSOR EVCO NTC PROP EVTPN615F200	760660054
ECR1	PREPROGRAMMED CONTROLLER DIGITAL EVCO EV3B22N7 REFRIGERATOR SUR65EG	760660269
EP2	CUPPER PIPE 3/16 FOR RE-EVAPORATION	760660250
EV9	EVAPARATOR GN 600 NMV	760660251
FM1	FAN MOTOR EBM 5W M4Q045-BD01-01-A57	760660072
FM17	ELCO ECM 12-10 -WITH 100CM CABLE -HBR12N0AC3013-	760660275
GA84	MAGNETIC SEAL GRAY 574*1450 MM GN 600 K MODEL 3 CHAMBER	760660258
HC3	CABINET HINGE PVC BUSHING	760660032
HMC2	SPRING FORCED HINGE FOR CABINET DOORS	760660090
KA26	SOLID DOOR ASSEMBLY (GN 600 MONO H SINGLE DOOR) 304	760660285
KA27	SOLID DOOR ASSEMBLY (GN 600 MONO H SINGLE DOOR) 430	760660286
LB34	ADVANCE CHARACTER LABEL (G)	760660402
LED6	SPOTLIGHT LED 3,2W PHILIPS ESSENTIAL 6500K	760660230
LG10	STAINLESS STEEL LEG 130-150 MM	760660454
LK2	DOOR LOCK	760660127
LLS1	LOCK LIP STRIKE	760660231
OR5	SINGLE DOOR CABINET EVAP HOUSING O-RING	760660289
PC1	POWER CORD LENGTH 3M 3x1,5 HO5VV-F	760660236
PC3	POWER CORD WITH BRITISH PLUG	760660257
SCP1	DIGITAL SENSOR COVER PART	760660233
SH1	CABLE GROUP FOR LIGHT SOCKET	760660234
SH2	SHELF PE COATED WITH BACK GUARD GRAY-RAL 7045 GN- 650*530	760660009
SW20	DOOR SWITCH DR-104 2,5A 250V AC NOVA	760660056
WG1	FAN GUARD WIRE Q20 CM	760660069
WG5	FAN GUARD WIRE Q20 CM	760660284
WHL13	CASTOR Q100 AND HEIGHT 130 MM WITH BRAKE BUT SWIVEL	760660176
WHL14	CASTOR Q100 AND HEIGHT 130 MM WITHOUT BRAKE BUT SWIVEL	760660177