



Code:	COLD UNITS	Model:
174701010	PREMIER KG 70 GN 2/1 SINGLE GLASS DOOR REFRIGERATOR CABINET	PREMIER KG 70

 Hygiene		 Easy Maintenance
 Heavy Duty		 Efficiency

### MAIN FEATURES

- \* GN 2/1 size refrigerator with single glass door
- \* 304 quality stainless steel
- \* Operating temperature +2/+12 °C
- \* Clean free condenser
- \* Maximum internal capacity minimal temperature increase during defrost
- \* Most efficient air distribution inside with a specially designed air channel
- \* The inner liners and inner lower base which are moulded comply with the highest hygiene standards with rounded corners and are made of stainless steel
- \* Monoblock design
- \* Automatic fan cutout switch and internal led light
- \* Wide magnetic removable gasket with triple insulation area provides an effective seal which reduces heat lost
- \* 40-42 kg/m<sup>3</sup> density environment friendly HFC-Free Polyurethane insulation for low energy consumption (78 mm)
- \* Protecting Class (IP2X)
- \* Ventilated cooling design
- \* Reversible door allows the appliances to be adapted to any individual installation site

### OPTIONS

- \* **Leg Option:** Leg/Castor
- \* **Shelf Option:** Nylon/Stainless
- \* **Plug Option:** UK/EU
- \* **Door Option:** Left Hinged / Right Hinged

### ACCESSORIES

- \* Master Key
- \* Set of Plastic Coated Shelf
- \* Set of Inox Shelf
- \* Set of Stainless Steel Leg
- \* Set of Ø100 Castor

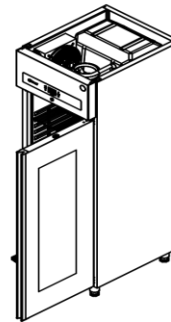
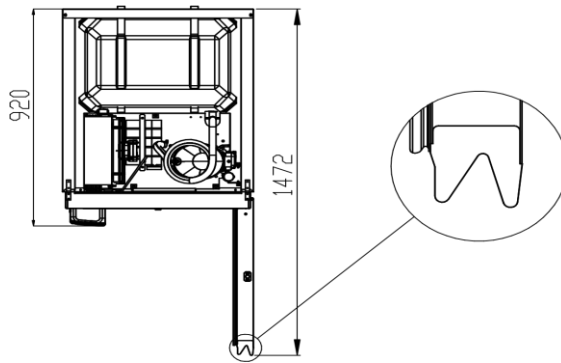
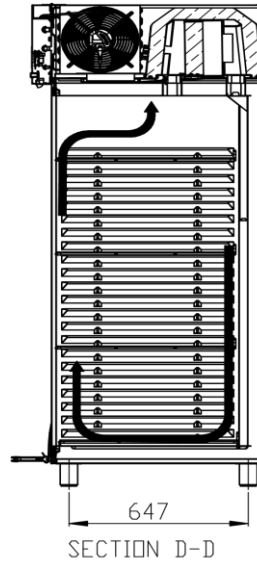
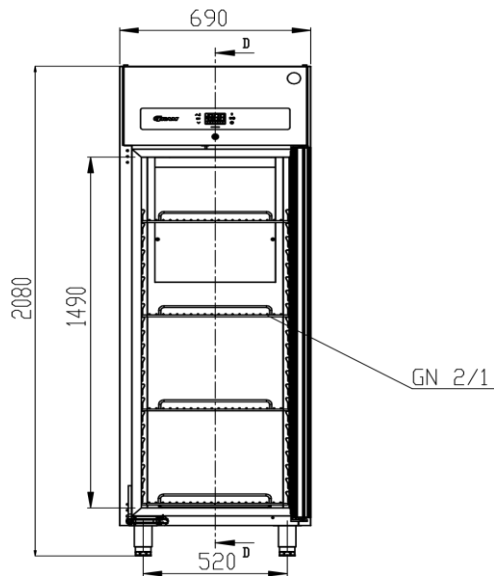
### STANDARDS

- |                  |   |
|------------------|---|
| * EN 60335-1     | European Standard relating to safety of household and similar electrical appliances   |
| * EN 60335-2-89  | European Standard relating to particular requirements for commercial refrigerating appliances with an incorporated or remote refrigerant unit or compressor |
| * ISO 22041:2019 | Refrigerated storage cabinets and counters for professional use Performance and energy consumption  |





<b>Code:</b>	<b>COLD UNITS</b>	<b>Model:</b>
174701010	PREMIER KG 70 GN 2/1 SINGLE GLASS DOOR REFRIGERATOR CABINET	PREMIER KG 70



DIMENSIONS (Net)		DIMENSIONS (Shipping)	
* Width (mm):	690	* Width (mm):	750
* Depth (mm):	920	* Depth (mm):	880
* Height (mm):	2080	* Height (mm):	2150
* Weight (kg):	130	* Weight (kg):	140
		* Volume (m³):	1,42

**TECHNICAL SPECIFICATIONS**

* Gross Volume:	700 L	* Cooling Temperature:	+2/+12 °C
* Net Volume:	475 L	* Cooling Gas Type:	R600a
* Climate Class:	CC4 (+30 °C - %55 Rh)	* Cooling Capacity:	206 W (-10° / +45°)
* Energy Efficiency Class:	B	* Supply Voltage:	230V / NPE 50 Hz
* Energy Efficiency Index:	32,49	* Protection Class:	IP 2X
* Energy Consumption:	1,237 kW/24h	* Cooling System Design:	Ventilated
* Connection Load:	120 W	* Sound Level:	48 dB

