



---

MODULAR CRESCENT CUBER

**KMD-210AB-HC**

# PARTS LIST

[HE]

F138, F138-C101  
F138-D001, F138-D101

J-1 JUL. 2019  
K-1 JUL. 2020  
L-1 DEC. 2021  
M-1 APR. 2022

F138-4793 (0722)

**List of Specifications**

MODEL	MODEL NUMBER	DESTINATION	SPEC
KMD-210AB-HC	F138	STANDARD	220-240V/50Hz
	F138-C101	STANDARD	220-240V/50Hz
	F138-D001	STANDARD	220-240V/50Hz
	F138-D101	STANDARD	220-240V/50Hz

## AUXILIARY CODE

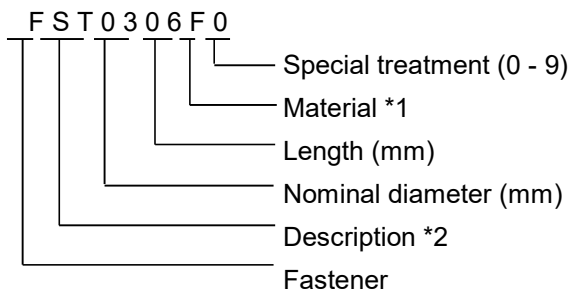
U - 1

The auxiliary code is the first two characters in the serial number. The first character indicates the production year. Years progress or regress in alphabetical order. The series of letters and skipped letters depend on UL listing, production, and model. See the auxiliary code(s) and corresponding year(s) on the front cover.

The second character indicates significant part changes within the same year. Base is "1" and this number advances for each change. If there is no significant part change at the turn of the year, this number starts from "0."

## FASTENER PART NUMBER

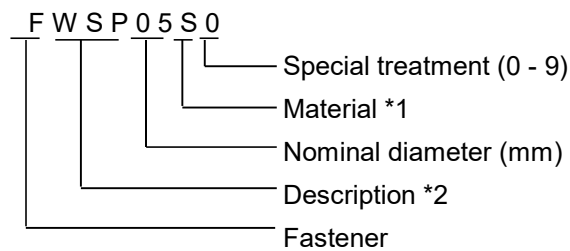
### SCREWS



\*1 Material

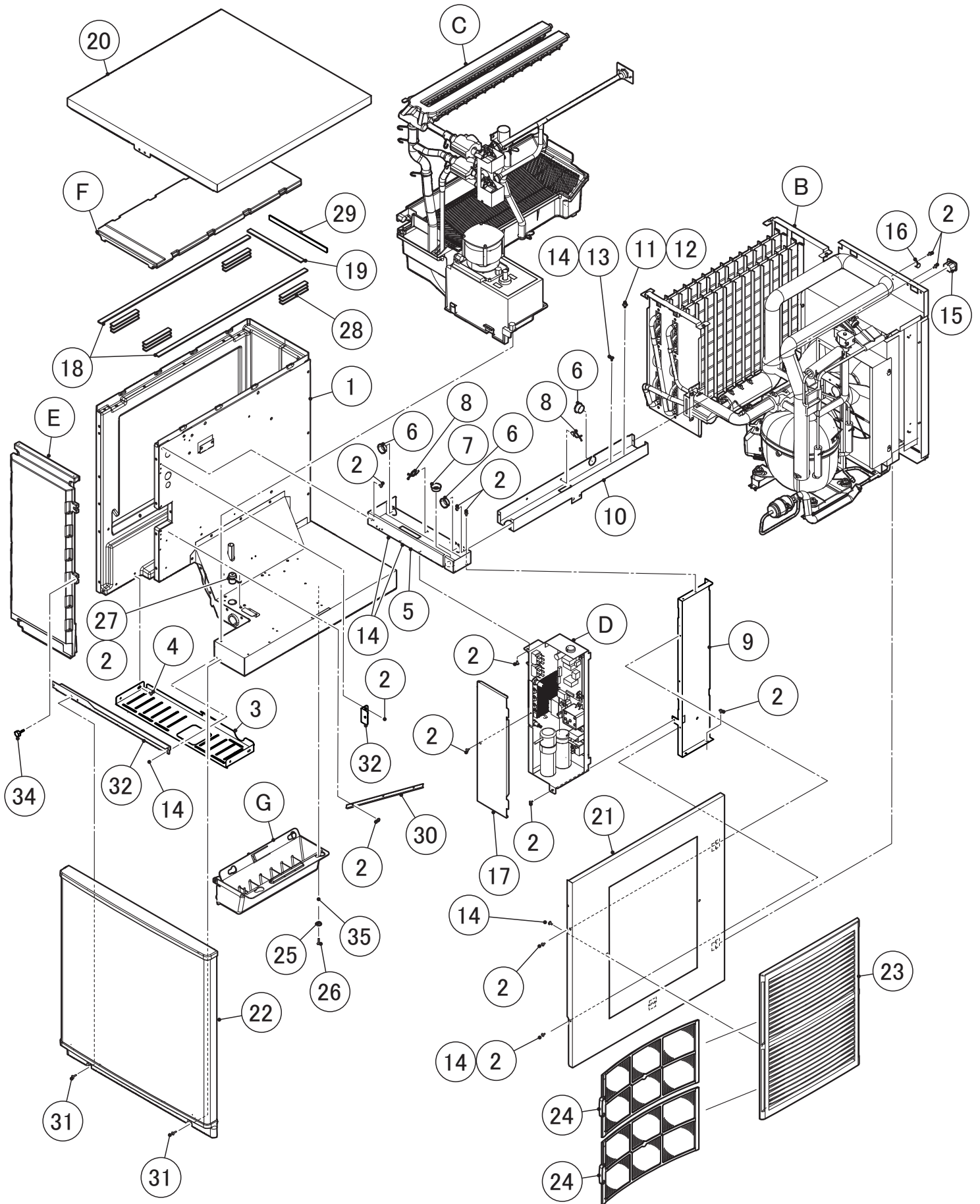
F: Steel  
S: Austenitic stainless steel  
M: Martensitic stainless steel  
B: Copper alloy  
P: Polycarbonate  
N: Polyamide  
V: PVC  
A: ABS  
X: Polyacetal  
L: Aluminum

### NUTS & WASHERS



\*2 Description

First letter  
S: Machine screw  
T: Tapping screw  
M: Wood screw  
B: Bolt  
W: Washer  
N: Nut

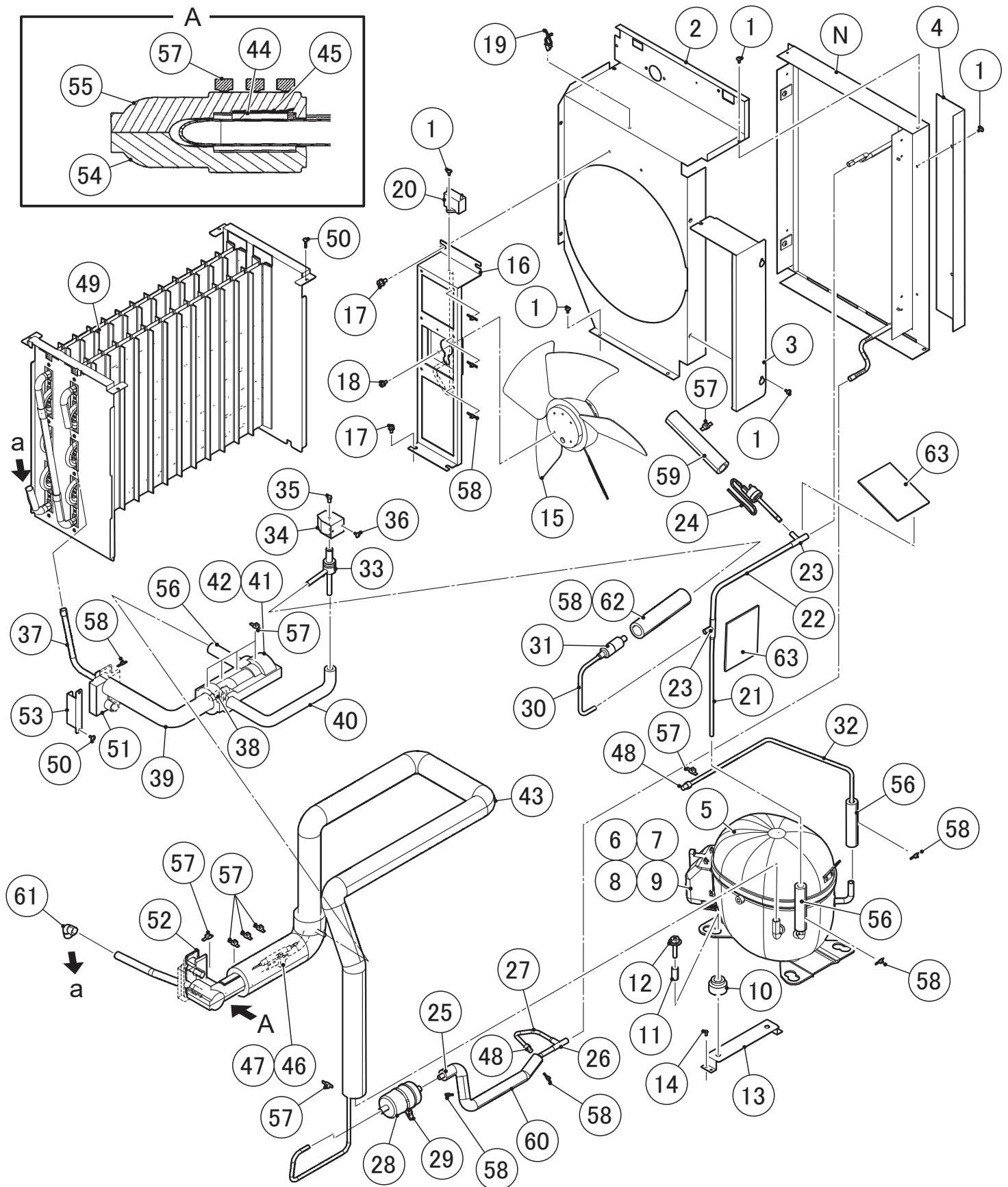


MODEL: **KMD-210AB-HC**TITLE: **A. ICE CUBER ASSY**

INDEX NO.	DESCRIPTION	MATERIAL OR MODEL NUMBER	PART NUMBER	REQ'D NUMBER					
				J-1 L-0	L-1 and later				
B	REFRIGERATION CIRCUIT	F138,F138-C101	128517A01	1	1				
		F138-D001,F138-D101	128517A02	1	1				
C	WATER CIRCUIT	F138,F138-C101	127988A03	1	1				
		F138-D001,F138-D101	127988A06	1	1				
D	CONTROL BOX ASSY		279416A01	1	1				
E	FRONT INSULATION ASSY		388861A01	1	-				
			388861A02	-	1				
F	TOP INSULATION ASSY		374537A01	1	-				
			374537A02	-	1				
G	BIN SWITCH		371886A01	1	1				
H	LABEL LOCATION	F138,F138-D001	127989A06	1	1				
		F138-C101,F138-D101	127989001	-	1				
L	ACCESSORIES	F138,F138-D001	A03823-01	1	1				
		F138-C101,F138-D101	A04083-01	-	1				
M	OPTIONAL PARTS		OPT-F129	1	1				
1	EVAP. CASE	F138,F138-C101	127328G01	1	1				
		F138-D001,F138-D101	127328G10	1	1				
2	T2 SCREW	4X8	FT20408F0	23	23				
		F138-D001,F138-D101	FT20408F0	8	8				
3	BOTTOM FRAME		275771M01	1	1				
4	T2 SCREW	4X8 SUS	FT20408M0	4	4				
5	TOP FRAME		371867M02	1	1				
6	BUSHING		428394-05	3	3				
7	BUSHING	OCB-750	428394-01	1	1				
8	WIRE RETAINER	No.249	427902-03	3	3				
9	SIDE FRAME (A)	F138,F138-C101	371873M01	1	1				
		F138-D001,F138-D101	371873M02	1	1				
10	SIDE FRAME (B)		371866M02	1	1				
11	SPRING WASHER	SUS 5	FWSP05S0	1	1				
12	TRUSS HEAD SCREW	SUS 5X8	FST0508S0	1	1				

MODEL: **KMD-210AB-HC**TITLE: **A. ICE CUBER ASSY**

INDEX NO.	DESCRIPTION	MATERIAL OR MODEL NUMBER	PART NUMBER	REQ'D NUMBER					
				J-1 L-0	L-1 and later				
13	SPRING WASHER	SUS 4	FWSP04S0	1	1				
14	TRUSS HEAD SCREW	SUS 4X8	FST0408S0	7	10				
		F138-D001,F138-D101	FST0408S0	22	25				
15	CONNECTOR		P02656-01	1	1				
16	CLAMP	NK-6N	418814-06	1	1				
17	CONT. BOX COVER		371874M01	1	1				
18	GASKET	L=572	127986Z01	2	2				
19	GASKET	L=203	127986Z02	1	1				
20	TOP PANEL		274705M01	1	1				
21	SIDE PANEL (R)		255966G05	1	-				
	SIDE PANEL (R1)		255966M09	-	1				
22	FRONT PANEL		277051G01	1	1				
23	LOUVER		120457P01	1	1				
24	AIR FILTER		258589G01	2	2				
25	COLLAR		435269-01	4	4				
26	T2 SCREW	4X16 SUS	FT20416M0	4	4				
27	HOLE PLUG		373078R01	1	1				
28	GASKET	L=50	119591Z03	12	12				
29	GASKET	L=215	119591Z04	1	1				
30	PLATE - SIDE PANEL	F138,F138-C101	379577M01	1	1				
		F138-D001,F138-D101	379577M02	1	1				
31	PAN HEAD SCREW SW		FSK0412S0	3	3				
32	FRONT FRAME		388187G01	1	1				
33	BRACKET (A) - INSULATION	F138,F138-C101	484783M01	2	2				
		F138-D001,F138-D101	484783M02	2	2				
34	THUMB SCREW		415949G13	4	4				
35	FLAT WASHER		FWPL04S	4	4				



MODEL: **KMD-210AB-HC**TITLE: **B. REFRIGERATION CIRCUIT**

INDEX NO.	DESCRIPTION	MATERIAL OR MODEL NUMBER	PART NUMBER	REQ'D NUMBER					
				J-1 K-0	K-1 L-0	L-1 M-0	M-1 and later		
N	CONDENSER AY		390369A01	1	1	1	1		
1	T2 SCREW	4X8	FT20408F0	17	17	17	17		
		F138-D001,F138-D101	FT20408F0	-	12	13	13		
2	SHROUD		255968M01	1	1	1	1		
3	FAN BLADE COVER		390094M01	1	1	1	1		
4	BARRIER B		390819M01	1	1	1	1		
5	COMPRESSOR	NT6220U-842DA04	P05203-01	1	1	1	1		
6	TERMINAL COVER		P02814-01	1	1	1	1		
7	PROTECTOR	T0817/G9	P05290-01	1	1	1	1		
8	PROTECTOR RETAINER		P02815-01	1	1	1	1		
9	SCREW		P00840-01	1	1	1	1		
10	GROMMET		P00846-01	4	4	4	4		
11	SPACER		P00847-01	4	4	4	4		
12	BOLT	M8X35	436206-03	4	4	4	4		
13	COMP. MOUNT		371868G01	2	2	2	2		
14	POP RIVET	SSD43SSBS	7170-0005	8	8	8	8		
15	FAN MOTOR	A4E300-AE20-06	P00848-01	1	-	-	-		
		A4E300-AU20-08	P02595-01	-	1	1	-		
		A4E300AS72-52/A02	P06054-01	-	-	-	1		
16	FAN MOTOR BRACKET		371870G01	1	-	-	-		
			391482G01	-	1	1	1		
17	HEX HEAD BOLT WWASHER [SW]	5X10 SUS	FBK0510S0	4	4	4	4		
18	HEX HEAD BOLT WWASHER [SW]	4X8 SUS	FBK0408S0	3	3	3	3		
19	CLAMP	No. 249	427902-03	1	1	1	1		
20	CAPACITOR	CMPS40B155UWF	P00849-01	1	1	1	-		
			P01865-01	-	-	-	1		
21	COPPER TUBE (A1) - HIGH SIDE	COPPER TUBE (A) - HIGH SIDE 371884G01	371884M01	1	1	1	1		
22	COPPER TUBE (A2) - HIGH SIDE	COPPER TUBE (A) - HIGH SIDE 371884G01	371884M02	1	1	1	1		

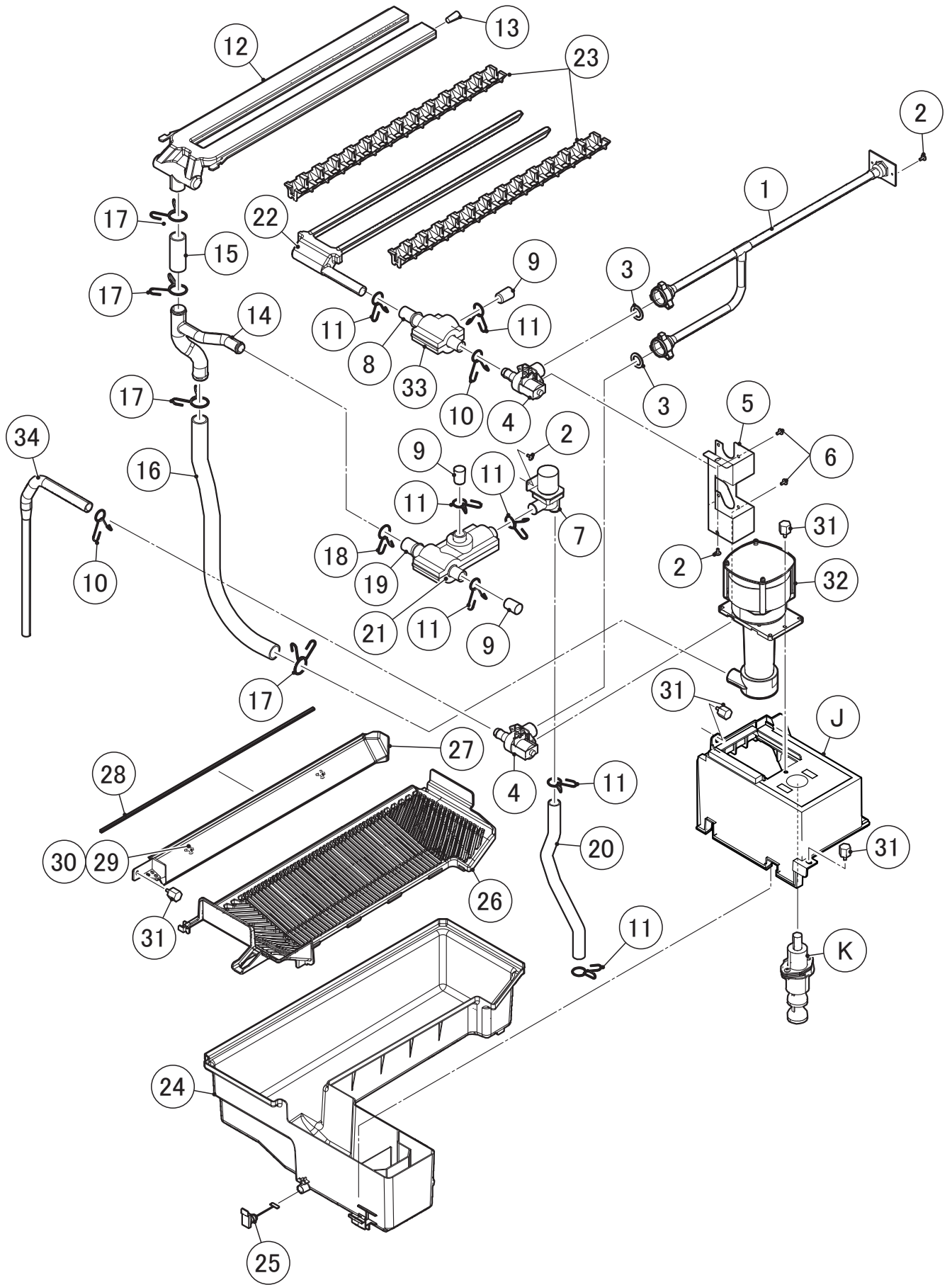


MODEL: **KMD-210AB-HC**TITLE: **B. REFRIGERATION CIRCUIT**

INDEX NO.	DESCRIPTION	MATERIAL OR MODEL NUMBER	PART NUMBER	REQ'D NUMBER					
				J-1 K-0	K-1 L-0	L-1 M-0	M-1 and later		
23	TEE	COPPER TUBE (A) - HIGH SIDE 371884G01	420041-02	2	2	2	2		
24	PRESSURE SWITCH	SEP-P230HHD-1	459868-05	1	1	1	1		
25	COPPER TUBE (B1) - HIGH SIDE	COPPER TUBE (B) - HIGH SIDE 255971G02	255971M01	1	1	1	1		
26	TEE	COPPER TUBE (B) - HIGH SIDE 255971G02	420041-11	1	1	1	1		
27	COPPER TUBE (B2) - HIGH SIDE	COPPER TUBE (B) - HIGH SIDE 255971G02	255971M04	1	1	1	1		
28	DRIER	DML032S	P02070-01	1	1	-	-		
			P05348-01	-	-	1	1		
29	PUSH MOUNT TIE	T50RSF	436156-02	1	1	1	1		
30	COPPER TUBE (D1) - HIGH SIDE	COPPER TUBE (D) - HIGH SIDE 374039G02	374039M03	1	1	1	1		
31	STRAINER	COPPER TUBE (D) - HIGH SIDE 374039G02	P00812-01	1	1	1	1		
32	PROCESS TUBE		391573M01	1	1	1	1		
33	VALVE BODY	ATS-B7SHDU-2	4A3978-01	1	1	1	1		
34	COIL-VALVE	AMS-C23HD-5	P00810-01	1	1	1	1		
	HOT GAS VALVE COIL-HARNESS	F138,F138-C101	3C0335G01	-	-	1	1		
35	BOLT	M4X8	P00811-01	1	1	1	1		
36	TRUSS HEAD SCREW	4X8 SUS	FST0408S0	2	2	2	2		
		F138-D001,F138-D101	FST0408S0	-	9	8	8		
37	COPPER TUBE (E2) - HOT GAS	COPPER TUBE (E) - HOT GAS 388846G05	388845M01	1	1	1	1		
38	TEE	COPPER TUBE (E) - HOT GAS 388846G05	420335-01	1	1	1	1		
39	INSULATION TUBE	COPPER TUBE (E) - HOT GAS L=300	H71030300	1	1	1	1		

MODEL: **KMD-210AB-HC**TITLE: **B. REFRIGERATION CIRCUIT**

INDEX NO.	DESCRIPTION	MATERIAL OR MODEL NUMBER	PART NUMBER	REQ'D NUMBER					
				J-1 K-0	K-1 L-0	L-1 M-0	M-1 and later		
40	INSULATION TUBE	COPPER TUBE (E) - HOT GAS L=360	H71020360	1	1	1	1		
41	EXP. VALVE		P05210-01	1	1	1	1		
42	EXPANSION VALVE COVER		3A0944-01	1	1	1	1		
43	HEAT EXCHANGER		276950G01	1	1	1	1		
44	THERMISTOR	NBFC-36-H60-1	P00027-01	1	1	1	1		
45	HOLDER - THERMISTOR		427430-01	1	1	1	1		
46	HOLDER - EXP. VALVE 3/8		3C0058M01	1	1	1	1		
47	CLAMP		443461-02	1	1	1	1		
48	LOCKRING STOPPER		P01677-01	2	2	2	2		
49	EVAPORATOR ASSY		276955G01	1	1	1	1		
50	T2 SCREW	4X8 SUS	FT20408M0	6	6	6	6		
		F138-D001,F138-D101	FT20408M0	-	4	4	4		
51	RUBBER INSULATION (B)		3C0066R01	1	1	1	1		
52	RUBBER INSULATION (A)		3C0067R01	1	1	1	1		
53	INSULATION HOLDER		473043M01	1	1	1	1		
54	INSULATION - THERMISTOR (A)		439368-01	1	1	1	1		
55	INSULATION - THERMISTOR (B)		439368-02	1	1	1	1		
56	INSULATION TUBE	L=90	H71020090	3	3	3	3		
57	TIE	CV-200	7920-0010	14	14	14	14		
58	TIE	CV-100	7920-0002	10	10	10	10		
59	INSULATION TUBE	L=130	H71626130	1	1	1	1		
60	INSULATION TUBE	L=300	H71020300	1	1	1	1		
61	ELBOW		417395-03	1	1	1	1		
62	INSULATION TUBE	L=130	H72030130	1	1	1	1		
63	INSULATION SHEET		486117P01	2	2	2	2		



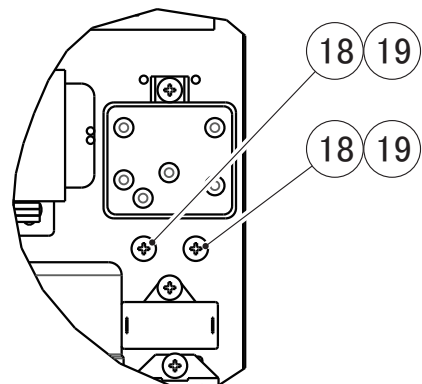
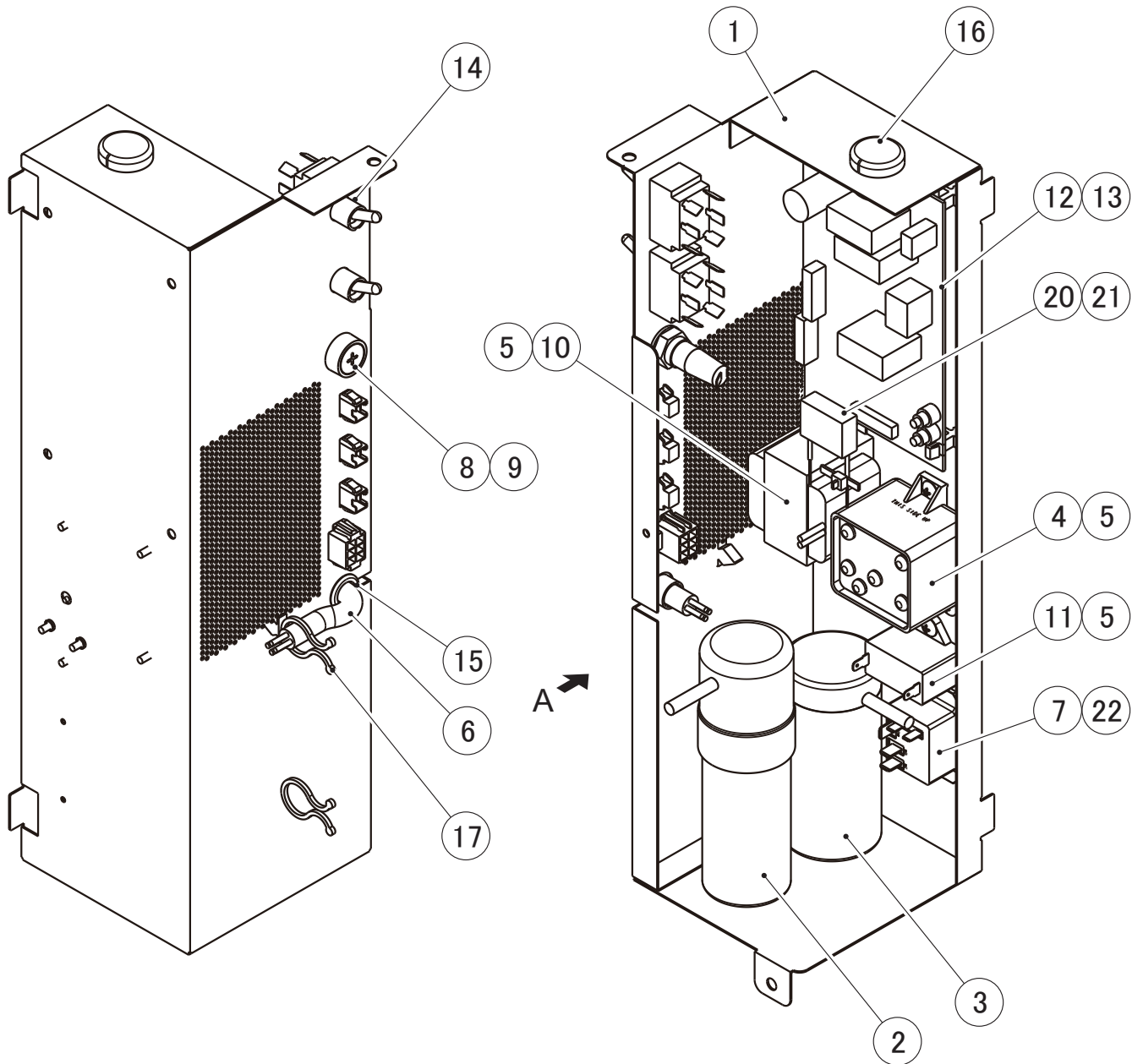
MODEL: **KMD-210AB-HC**TITLE: **C. WATER CIRCUIT**

INDEX NO.	DESCRIPTION	MATERIAL OR MODEL NUMBER	PART NUMBER	REQ'D NUMBER					
				J-1 L-0	L-1 and later				
J	PUMP BRACKET ASSY		388856A01	1	-				
			388856A02	-	1				
K	FLOAT SW. ASSY		389075A02	1	1				
1	WATER SUPPLY PIPE		371882G02	1	1				
2	T2 SCREW	4X8	FT20408F0	5	5				
		F138-D001,F138-D101	FT20408F0	3	3				
3	RUBBER GASKET		413854-03	2	2				
4	WATER VALVE		P00806-01	2	2				
5	WATER VALVE BRACKET		371875G02	1	1				
6	TRUSS HEAD SCREW	4X8 SUS	FST0408S0	4	4				
		F138-D001,F138-D101	FST0408S0	6	6				
7	SOLENOID VALVE	FDC-90-02-220	P00018-01	1	-				
	DRAIN VALVE (G)		3C0350G01	-	1				
8	TEE		371167R01	1	1				
9	PLUG		472567P01	3	3				
10	HOSE CLAMP	16.5mm SUS	P02909-04	2	2				
11	HOSE CLAMP	18mm SUS	P02909-05	6	6				
12	SPRAY TUBE		127382P01	1	1				
13	PLUG		4C0037R01	2	2				
14	CONNECTING PIPE		388309P01	1	1				
15	SI HOSE	φ20Xφ25(CLEAR)L=60	H12025060	1	1				
16	SI HOSE	φ20Xφ25(CLEAR)L=465	H12025465	1	1				
17	HOSE CLAMP	24mm SUS	C06092-01	4	4				
18	HOSE CLAMP	20mm SUS	P02909-06	2	2				
19	BYPASS HOSE		371165R01	1	1				
20	SI HOSE	φ15Xφ19(CLEAR)L=340	H11519340	1	1				
21	BYPASS INSULATION		371169Z01	1	1				
22	WATER SUPPLY TUBE		276018P01	1	1				
23	SPRAY GUIDE		252052P03	2	2				
24	WATER TANK		127337P02	1	1				
25	DRAIN CAP		371168G01	1	1				
26	CUBE GUIDE		118904P01	1	1				

MODEL: **KMD-210AB-HC**

TITLE: **C. WATER CIRCUIT**

INDEX NO.	DESCRIPTION	MATERIAL OR MODEL NUMBER	PART NUMBER	REQ'D NUMBER					
				J-1 L-0	L-1 and later				
27	DEFLECTOR (L)		255250P01	1	1				
28	GASKET		371166R01	1	1				
29	COLLAR		435269-01	2	2				
30	T2 SCREW	4X16 SUS	FT20416M0	2	2				
31	THUMBSCREW		415949G12	4	4				
32	PUMP MOTOR		391580G01	1	1				
33	INLET INSULATION		373079Z01	1	1				
34	WATER SUPPLY PIPE (B)		484865P01	1	1				

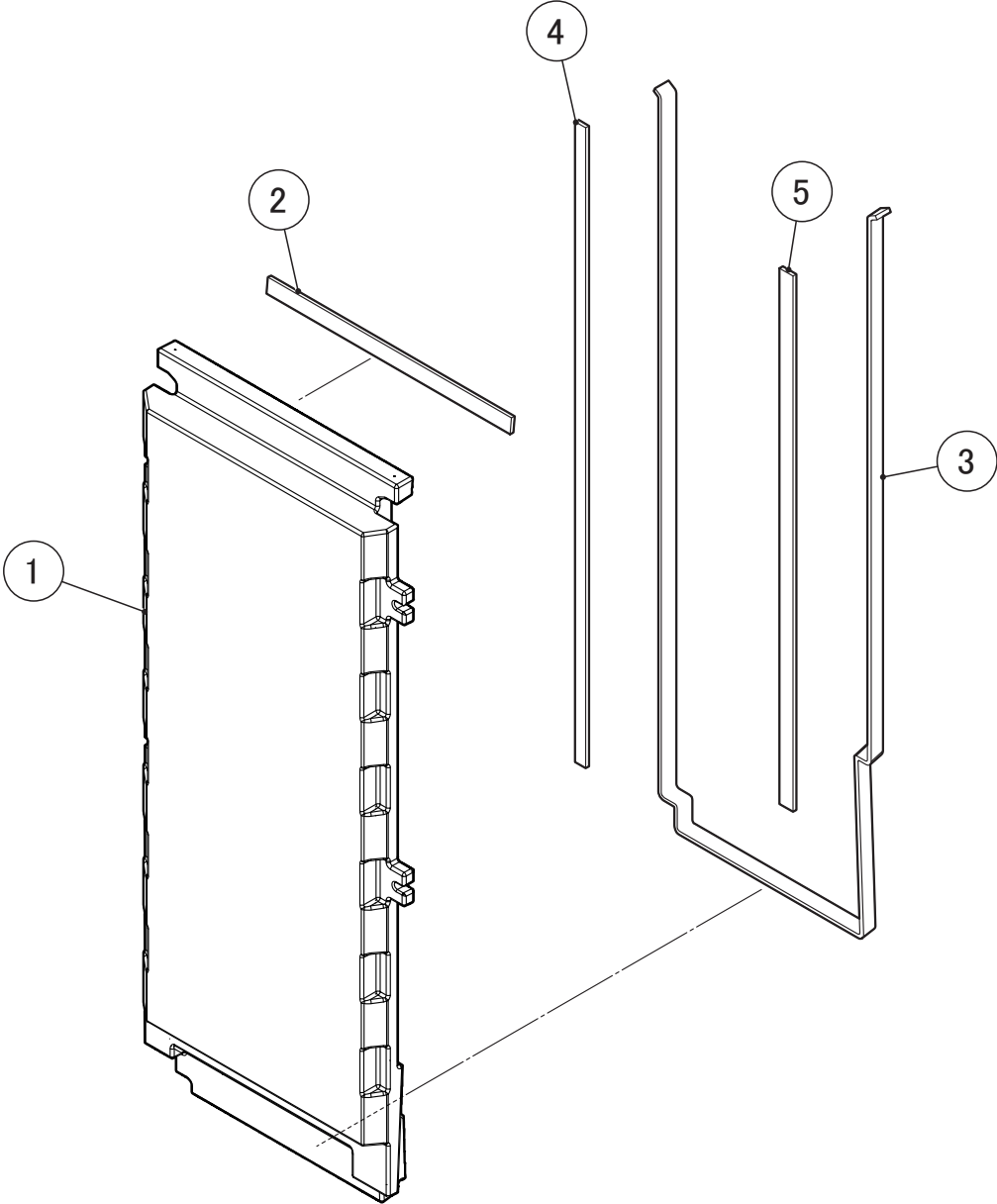


A

MODEL: **KMD-210AB-HC**

TITLE: **D. CONTROL BOX ASSY**

INDEX NO.	DESCRIPTION	MATERIAL OR MODEL NUMBER	PART NUMBER	REQ'D NUMBER					
				J-1 L-0	L-1 and later				
1	CONTROL BOX		279830M01	1	1				
2	RUN CAPACITOR 15MFD		P02843-01	1	1				
3	START CAPACITOR		P05288-01	1	1				
4	STARTER		P05287-01	1	1				
5	T2 TRUSS HEAD SCREW		FT20408F0	4	4				
6	WIRE KIT		P00845-01	1	1				
7	POWER RELAY		P05211-01	1	1				
8	FUSE HOLDER		P00014-01	1	1				
9	FUSE		P00015-01	1	1				
10	TRANSFORMER		P00012-01	1	1				
11	CAPACITOR		P00850-01	1	1				
12	CONTROLLER BOARD		P01771-02	1	1				
13	BOARD SUPPORT		P01770-01	4	4				
14	TOGGLE SWTICH		P00033-01	2	-				
			P01206-01	-	2				
15	BUSHING		428394-03	1	1				
16	BUSHING		420472-05	1	1				
17	WIRE RETAINER		427902-05	2	2				
18	SPRING WASHER		FWSP04S0	2	2				
19	TRUSS HEAD SCREW		FST0408S0	2	2				
20	CAPACITOR		P00228-01	1	1				
21	TIE		7920-0003	1	1				
22	TRUSS HEAD TAPPING SCREW T2		FT20308F0	2	2				

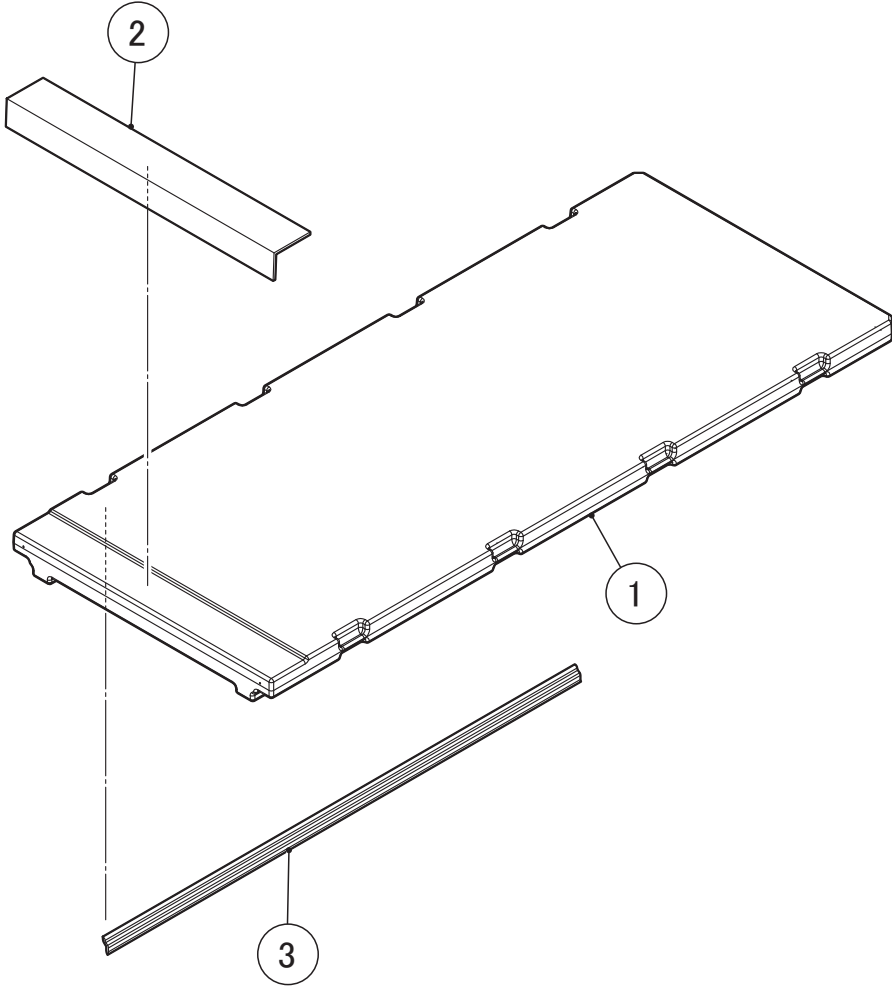




MODEL: **KMD-210AB-HC**

TITLE: **E. FRONT INSULATION ASSY**

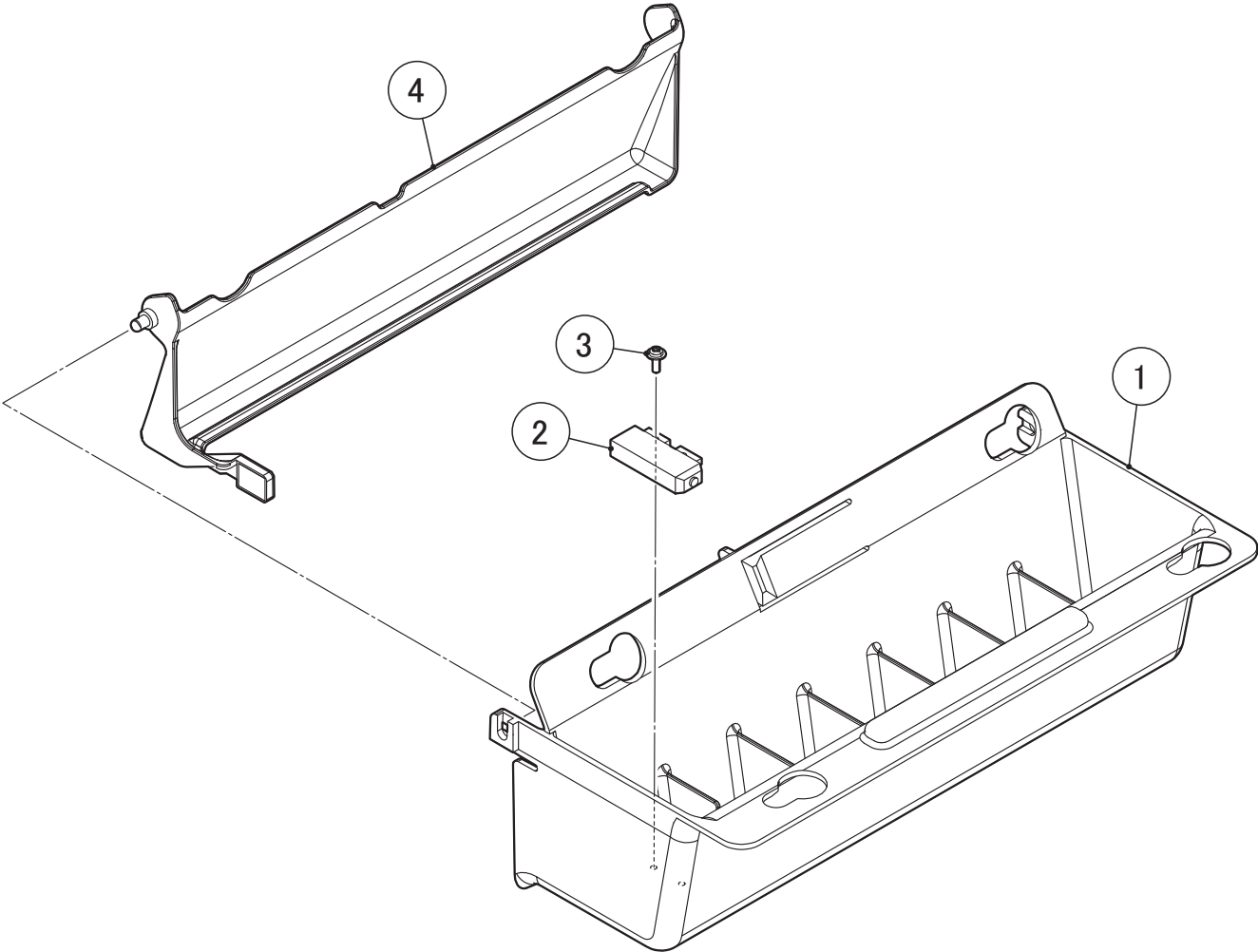
INDEX NO.	DESCRIPTION	MATERIAL OR MODEL NUMBER	PART NUMBER	REQ'D NUMBER					
				J-1 L-0	L-1 and later				
1	FRONT INSULATION		275773G01	1	1				
2	GASKET	L=228	388861Z06	1	1				
3	GASKET	L=1385	388861Z07	1	1				
4	GASKET	L=530	388861Z08	1	1				
5	GASKET	L=440	388861Z09	1	1				



MODEL: **KMD-210AB-HC**

TITLE: **F.TOP INSULATION ASSY**

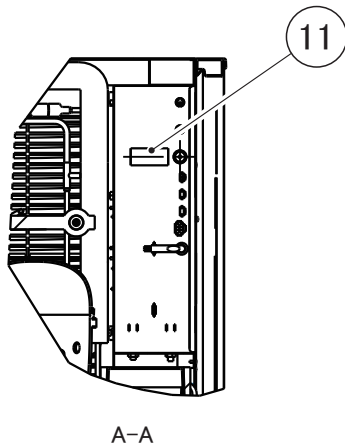
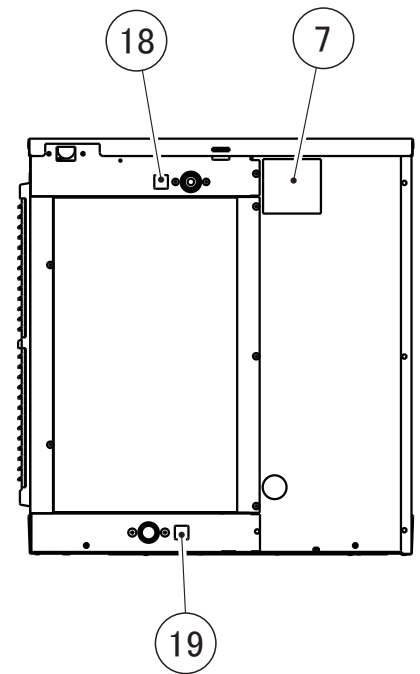
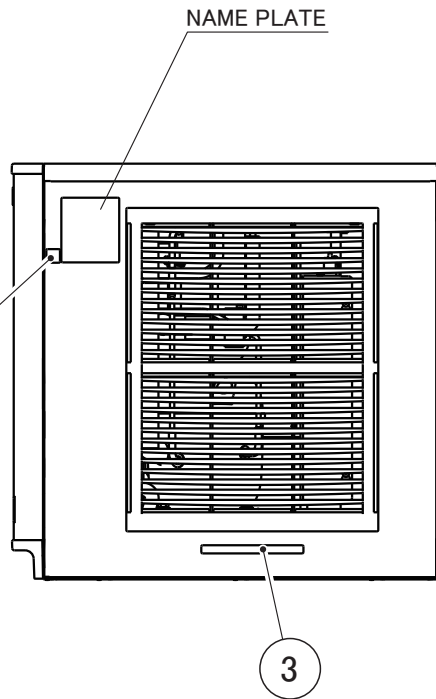
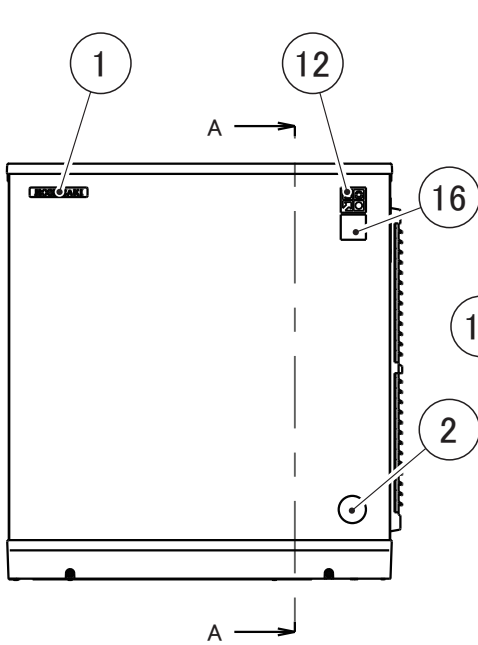
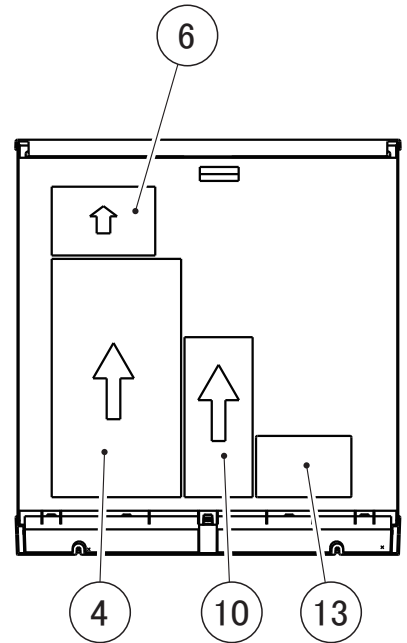
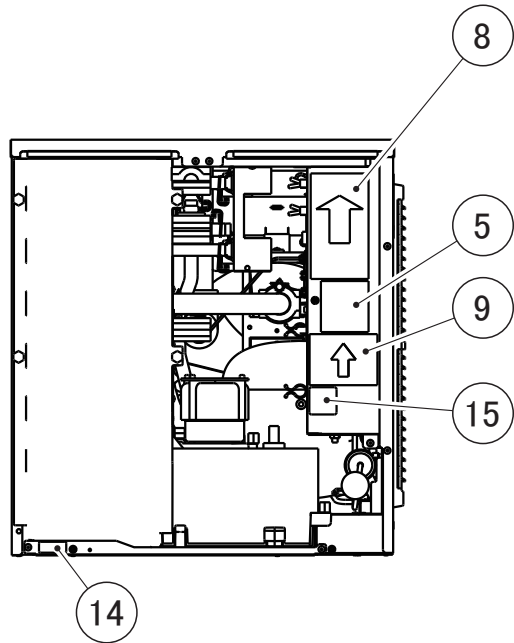
INDEX NO.	DESCRIPTION	MATERIAL OR MODEL NUMBER	PART NUMBER	REQ'D NUMBER					
				J-1 L-0	L-1 and later				
1	TOP INSULATION		255254G01	1	1				
2	INSULATION		473041Z01	1	1				
3	GASKET	L=415	374537Z04	1	1				



MODEL: **KMD-210AB-HC**

TITLE: **G. BIN SWITCH**

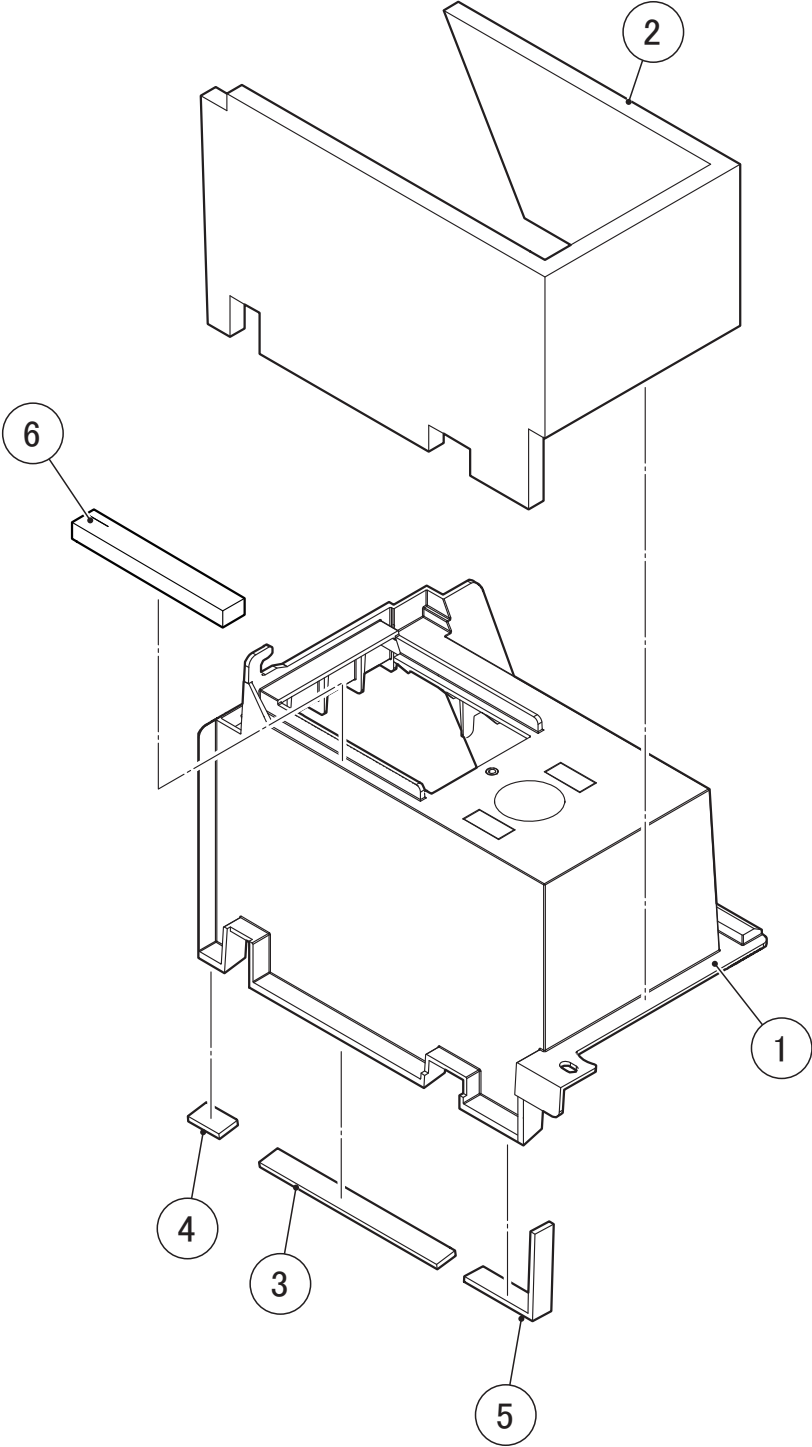
INDEX NO.	DESCRIPTION	MATERIAL OR MODEL NUMBER	PART NUMBER	REQ'D NUMBER					
				J-1 L-0	L-1 and later				
1	SWITCH HOUSING		255248P01	1	1				
2	REED SWITCH	PS-0074-601	453861-04	1	1				
3	TAPPING SCREW	3X8	431415-03	2	2				
4	DETECTOR		371158G01	1	1				



A-A

MODEL: **KMD-210AB-HC**TITLE: **H. LABEL LOCATION**

INDEX NO.	DESCRIPTION	MATERIAL OR MODEL NUMBER	PART NUMBER	REQ'D NUMBER					
				J-1 L-0	L-1 and later				
1	EMBLEM		456245-01	1	1				
2	LABEL - PENGUIN		468184-01	1	1				
3	LABEL - AIR FILTER	F138,F138-D001	426177-01	1	1				
		F138-C101,F138-D101	455367-01	-	1				
4	MAINTENANCE LABEL	F138,F138-D001	276974L01	1	1				
		F138-C101,F138-D101	379551L01	-	1				
5	CAUTION LABEL - SERVICE	F138,F138-D001	471180L01	1	1				
		F138-C101,F138-D101	471348L01	-	1				
6	WIRING LABEL	F138,F138-D001	373645L01	1	1				
		F138-C101,F138-D101	379734L01	-	1				
7	INSTRUCTION LABEL	F138,F138-D001	472709L01	1	1				
		F138-C101,F138-D101	472710L01	-	1				
8	MANUAL LABEL	F138,F138-D001	371379L01	1	1				
		F138-C101,F138-D101	371380L01	-	1				
9	LABEL - ALARM	F138,F138-D001	370310L01	1	1				
		F138-C101,F138-D101	371382L01	-	1				
10	LABEL - CONTROL BOARD	F138,F138-D001	374652L01	1	1				
		F138-C101,F138-D101	371384L01	-	1				
11	LABEL - FUSE	F138,F138-D001	472712L01	1	1				
		F138-C101,F138-D101	472713L01	-	1				
12	LABEL - HACCP		476519L01	1	1				
13	CAUTION LABEL-CYCLOPENTANE	F138,F138-D001	381437L01	1	1				
		F138-C101,F138-D101	473789L01	-	1				
14	LABEL-FRONT FRAME	F138,F138-D001	484959L01	1	1				
		F138-C101,F138-D101	485336L01	-	1				
15	LABEL - R290		474520L01	1	1				
16	LABEL - NATURAL REFRIGERANT	F138,F138-D001	389472L01	1	1				
17	LABEL-REGULATION A	F138-C101,F138-D101	482347L01	-	1				
18	LABEL - INLET	F138-C101,F138-D101	482403L03	-	1				
19	LABEL - OUTLET	F138-C101,F138-D101	482403L04	-	1				

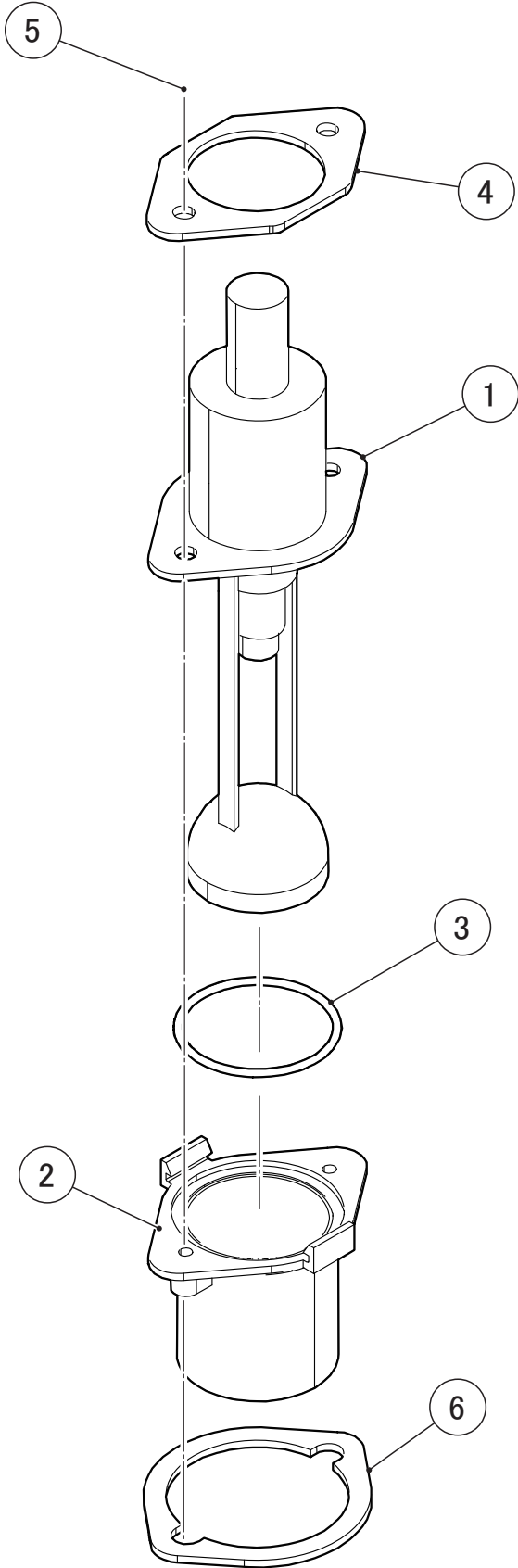




MODEL: **KMD-210AB-HC**

TITLE: **J. PUMP BRACKET ASSY**

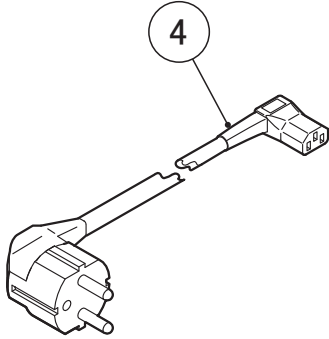
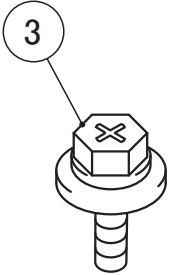
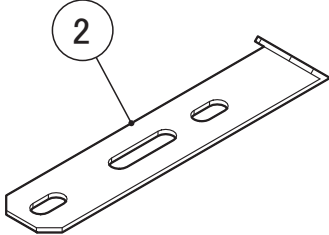
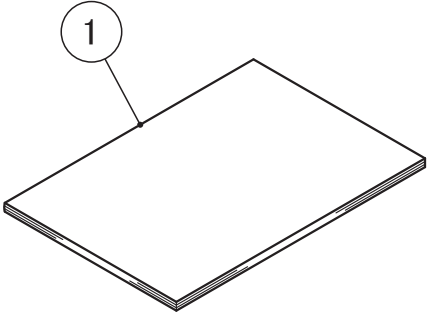
INDEX NO.	DESCRIPTION	MATERIAL OR MODEL NUMBER	PART NUMBER	REQ'D NUMBER					
				J-1 L-0	L-1 and later				
1	PUMP BRACKET		127338G01	1	1				
2	PM BRACKET INSULATION		388191P01	1	1				
3	GASKET	L=120	388856Z04	1	1				
4	GASKET	L=21	388856Z05	1	1				
5	GASKET	L=90	388856Z06	1	1				
6	PUMP BRACKET INSULATION - B		485841P01	1	1				



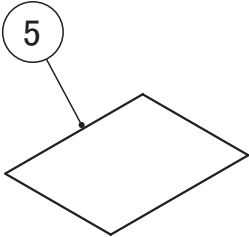
MODEL: **KMD-210AB-HC**

TITLE: **K. FLOAT SW. ASSY**

INDEX NO.	DESCRIPTION	MATERIAL OR MODEL NUMBER	PART NUMBER	REQ'D NUMBER					
				J-1 L-0	L-1 and later				
1	FLOAT SWITCH		P00816-01	1	1				
2	BRACKET - FLOAT SW.		258597P01	1	1				
3	PACKING		474862R01	1	1				
4	SPACER(A)-FLOAT SW		485043P01	1	1				
5	T2 TRUSS HEAD SCREW		FT20412S0	2	2				
6	SPACER(B)-FLOAT SW		485044P01	1	1				



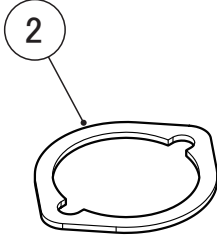
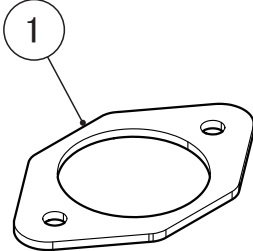
(SE)



MODEL: **KMD-210AB-HC**

TITLE: **L. ACCESSORIES**

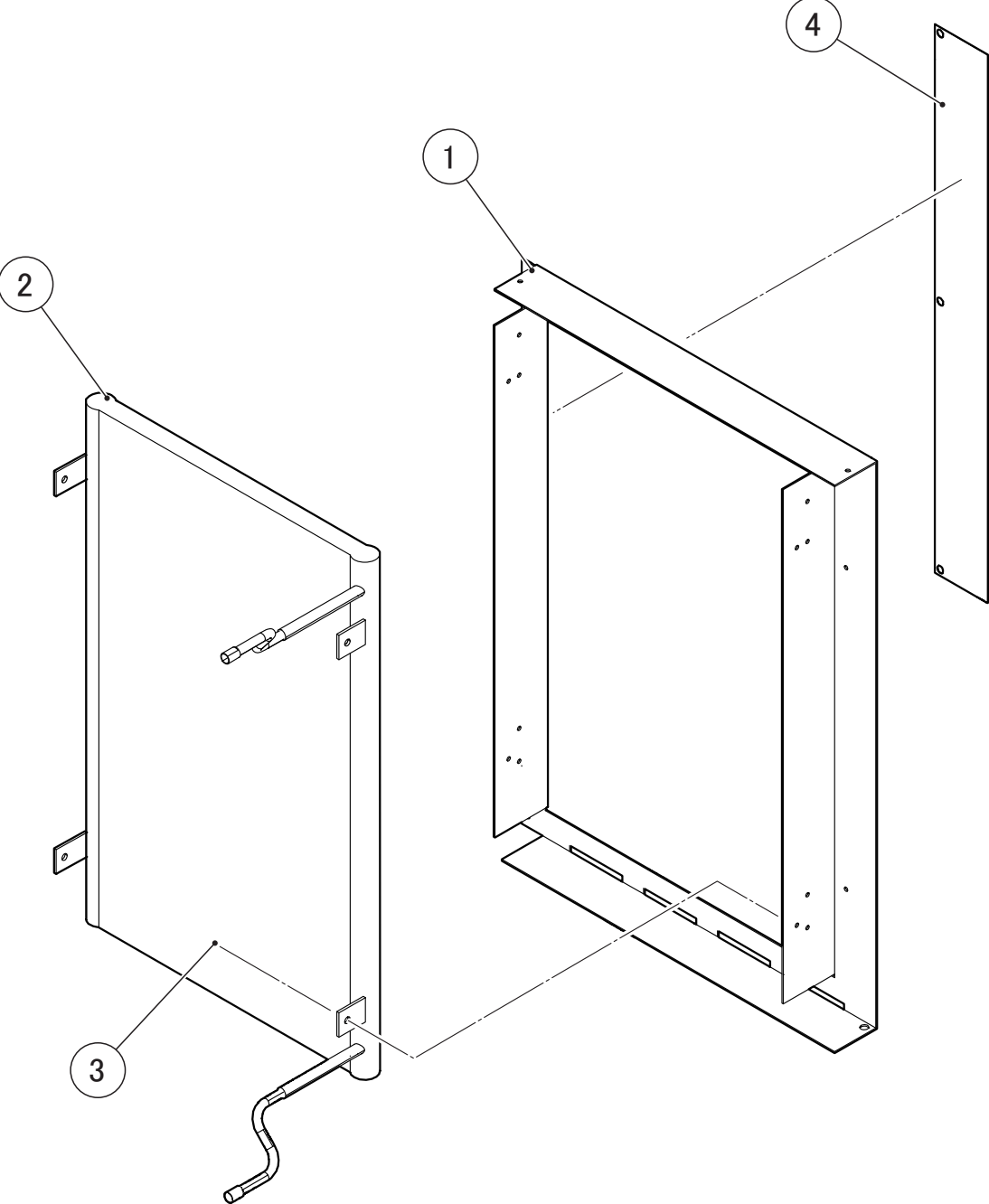
INDEX NO.	DESCRIPTION	MATERIAL OR MODEL NUMBER	PART NUMBER	REQ'D NUMBER					
				J-1 L-0	L-1 and later				
1	INSTRUCTION MANUAL	F138,F138-D001	L1F138201	1	1				
		F138-C101,F138-D101	L1F138301	-	1				
2	UNIVERSAL BRACE		473048M01	2	2				
3	HEX HEAD BOLT W/WASHER [SW]	5X12 SUS	FBK0512S0	2	2				
4	POWER CORD	F138,F138-D001	P02794-01	1	1				
		F138-C101,F138-D101	P01960-01	-	1				
5	CERTIFICATE	F138-C101,F138-D101	478863L02	-	1				



MODEL: **KMD-210AB-HC**

TITLE: **M. OPTIONAL PARTS**

INDEX NO.	DESCRIPTION	MATERIAL OR MODEL NUMBER	PART NUMBER	REQ'D NUMBER					
				J-1 L-0	L-1 and later				
1	SPACER(A)-FLOAT SW		485043P01	1	1				
2	SPACER(B)-FLOAT SW		485044P01	1	1				





MODEL: **KMD-210AB-HC**

TITLE: **N. CONDENSER AY**

INDEX NO.	DESCRIPTION	MATERIAL OR MODEL NUMBER	PART NUMBER	REQ'D NUMBER					
				J-1 L-0	L-1 and later				
1	REAR PANEL		390818M01	1	1				
2	CONDENSER-G		390384G01	1	1				
3	T2 TRUSS HEAD SCREW		FT20408F0	4	4				
4	BARRIER C		485762M01	1	1				