

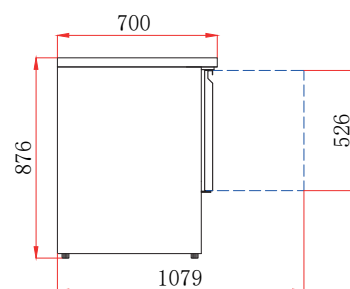
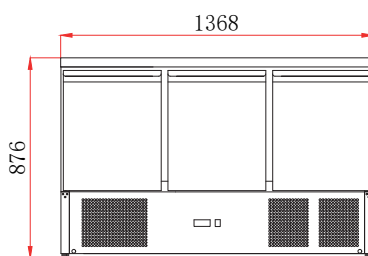
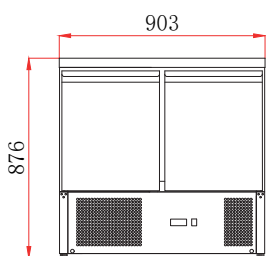
# Compact Gastronorm Counters

700mm Depth

KXCC2



KXCC3



## FEATURES

- 201 stainless steel exterior & interior
- Internal corners rounded to aid cleaning
- 1 x adjustable GN1/1 shelf per door
- Replaceable door gasket
- 45mm insulation
- 4 feet
- Easily removable condenser filter for cleaning

## TECHNICAL SPECIFICATIONS

- Controller: Dixell controller
- Cooling: Fan assisted
- Defrost: Automatic
- Refrigerant: R600a (KXCC2)  
R290 (KXCC3)
- Climate Class: 4
- Temperature Range: +2°C ~ +8°C
- Power Supply: 13amp

MODEL	DOOR	GROSS CAPACITY	EXT. DIMENSIONS (H x W x D mm)	ENERGY RATING	POWER CONSUMPTION	KWH /ANNUM	DECIBELS	WEIGHT (kg)	RRP
KXCC2	2	240L	876 x 903 x 700	C	170W	830	42dBA	86	<b>£662.00</b>
KXCC3	3	368L	876 x 1368 x 700	D	240W	1294	42dBA	126	<b>£849.00</b>



See page 336 for full GN container range



# Compact Gastronorm Prep Counters

With Raised Collar

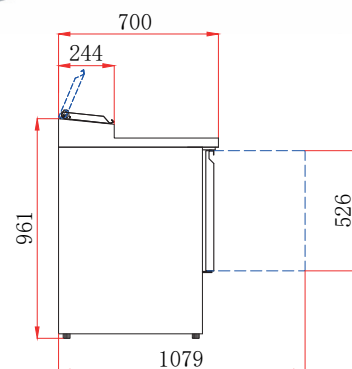
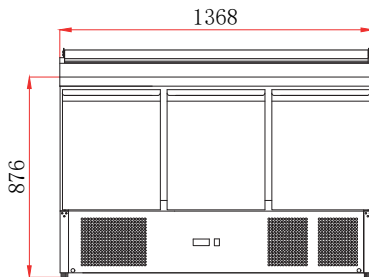
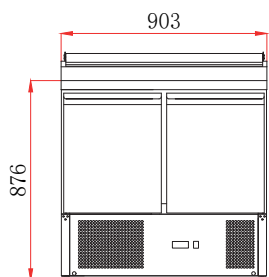
KXCC2-SAL

KXCC3-SAL

Product should be refrigerated prior to placing in raised collar



Working area depth 440mm



## FEATURES

- 201 stainless steel exterior & interior
- Internal corners rounded to aid cleaning
- 1 x adjustable GN1/1 shelf per door
- Raised collar accepts GN1/6 containers - maximum depth 150mm (not supplied)
- Replaceable door gasket
- 45mm insulation
- 4 feet
- Easily removable condenser filter for cleaning

## TECHNICAL SPECIFICATIONS

- Controller: Dixell controller
- Cooling: Fan assisted
- Defrost: Automatic
- Refrigerant: R600a (KXCC2-SAL)  
R290 (KXCC3-SAL)
- Climate Class: 4
- Temperature Range: +2°C ~ +8°C
- Decibels: 42dBA
- Power Supply: 13amp

MODEL	DOOR	CONTAINER CAPACITY	GROSS CAPACITY	EXT. DIMENSIONS (H x W x D mm)	POWER CONSUMPTION	WEIGHT (kg)	RRP
KXCC2-SAL	2	5 x GN1/6	240L	961 x 903 x 700	170W	87	<b>£778.00</b>
KXCC3-SAL	3	8 x GN1/6	392L	961 x 1368 x 700	240W	141	<b>£1,150.00</b>

STORAGE REFRIGERATION



See page 336 for full GN container range

