



## LBR2 - Lincat Lynx 400 Electric Counter-top Boiling Top - Twin Plate - W 565 mm - 3.0 kW

Perfect for use both in-kitchen and in buffet and mobile catering operations, the 2 x 1.5kW Twin Plate Boiling Top is quick, with variable heat control.

- ✓ Compact and hard wearing boiling top, ideal for the kitchen and for use in buffet and mobile catering operations.
- ✓ Automatic power reduction, if pan boils dry or is removed - prolonging hotplate life
- ✓ Variable heat control
- ✓ Fully pressed and sealed hob tops make the unit easy to clean and maintain

### Specifications

#### Summary

<b>Brand</b>	Lincat
<b>Range</b>	Lynx 400
<b>Power Type</b>	Electric
<b>Unit Type</b>	Counter-top
<b>Available in UK Only</b>	No
<b>UK Warranty</b>	2 Years Parts and Labour Warranty
<b>Export Warranty</b>	Contact your local dealer
<b>GTIN</b>	5056105101079

#### Power and Performance

<b>Total Power kW</b>	3.0
<b>IP Rating</b>	IP23
<b>Temperature Control</b>	Mechanical
<b>Rating per Hob kW</b>	1.5

#### Key Specifications

<b>Number of Hobs</b>	2
<b>Shape of Hob</b>	Round

#### Weights and Dimensions

<b>Unit Height (External) mm</b>	120
<b>Unit Width (External) mm</b>	565
<b>Unit Depth (External) mm</b>	400
<b>Hob Dimensions mm</b>	180
<b>Net Weight Kg</b>	9.7

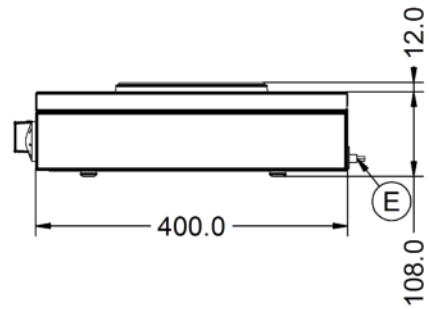
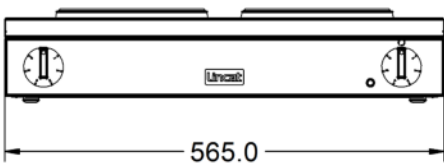
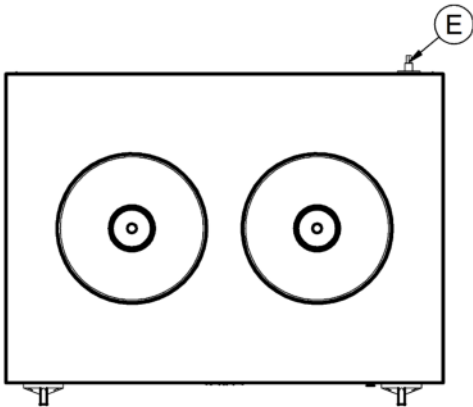
#### Supply Connections

<b>Requires Installation</b>	No
<b>Requires Electrical Supply</b>	Yes
<b>UK 3 Pin Plug</b>	Yes
<b>Requires Hardwiring</b>	No
<b>Electrical Supply Rating Watts</b>	3,000
<b>Single Phase Amps</b>	13.0
<b>Single Phase Voltage</b>	230

#### Shipping

<b>Packed Weight Kg</b>	10.67
<b>Packed Height cm</b>	25
<b>Packed Width cm</b>	70
<b>Packed Depth cm</b>	55

### Technical Picture



**Lincat Limited**

Whisby Road,  
Lincoln, LN6 3QZ,  
United Kingdom

**Company No:** 2175448

A member company of



**Customer Care**

**Tel:** +44 1522 875500  
**Email:** care@lincat.co.uk

**Export Customers**

**Tel:** +44 1522 875536  
**Email:** export@lincat.co.uk

**Opening Hours**

**Monday – Friday:**  
8.30am – 5pm