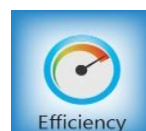
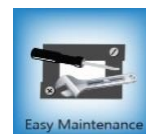


HOSHIZAKI EUROPE B.V
 Burgemeester Stramanweg 101 1101 AA Amsterdam, The Netherlands
 Tel: +31 20 691 8499
 e-mail: sales@hoshizaki.nl
 web: www.hoshizaki-europe.com



Code:	COLD UNITS	Model:
172701010	PREMIER M 70 GN 2/1 SINGLE DOOR REFRIGERATOR CABINET	PREMIER M 70



MAIN FEATURES

- * GN 2/1 size refrigerator with single door
- * 304 quality stainless steel
- * Operating temperature -5/+12 °C
- * Clean free condenser
- * Maximum internal capacity minimal temperature increase during defrost
- * Most efficient air distribution inside with a specially designed air channel
- * The inner liners and inner lower base which are moulded comply with the highest hygiene standards with rounded corners and are made of stainless steel
- * Monoblock design
- * Automatic fan cutout switch and internal led light
- * Wide magnetic removable gasket with triple insulation area provides an effective seal which reduces heat lost
- * 40-42 kg/m³ density environment friendly HFC-Free Polyurethane insulation for low energy consumption (78 mm)
- * Protecting Class (IP2X)
- * Ventilated cooling design
- * Reversible door allows the appliances to be adapted to any individual installation site

OPTIONS

- * **Leg Option:** Leg/Castor
- * **Shelf Option:** Nylon/Stainless
- * **Plug Option:** UK/EU
- * **Door Option:** Left Hinged / Right Hinged

ACCESSORIES

- * Master Key
- * Set of Plastic Coated Shelf
- * Set of Inox Shelf
- * Set of Stainless Steel Leg
- * Set of Ø100 Castor

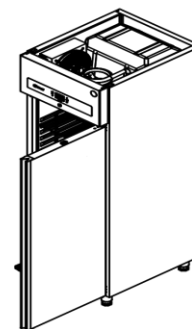
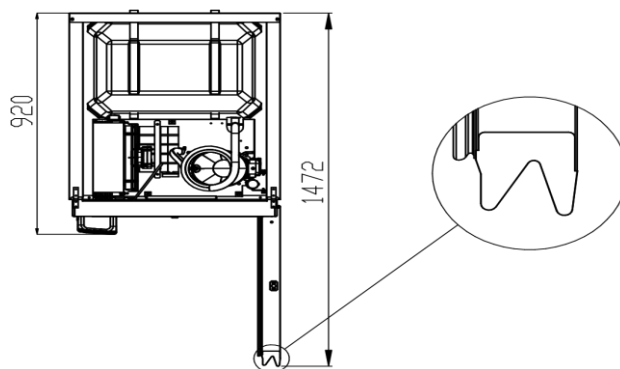
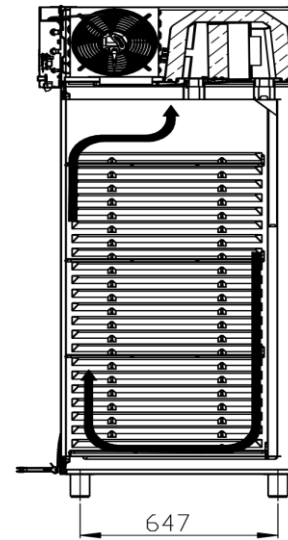
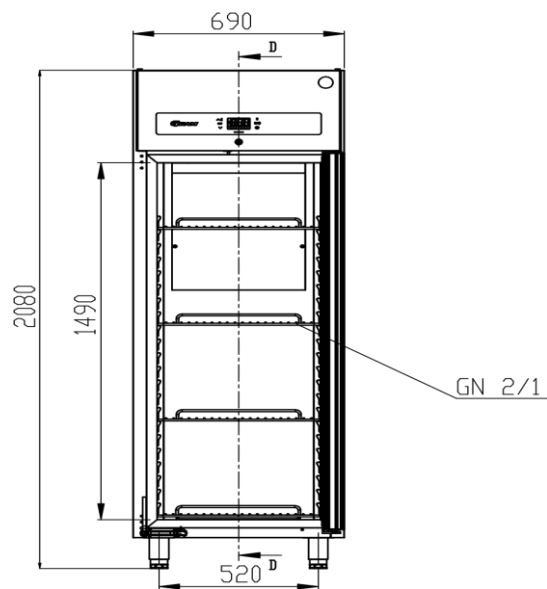
STANDARDS

- | | |
|------------------|---|
| * EN 60335-1 | European Standard relating to safety of household and similar electrical appliances |
| * EN 60335-2-89 | European Standard relating to particular requirements for commercial refrigerating appliances with an incorporated or remote refrigerant unit or compressor |
| * ISO 22041:2019 | Refrigerated storage cabinets and counters for professional use Performance and energy consumption |





Code:	COLD UNITS	Model:
172701010	PREMIER M 70 GN 2/1 SINGLE DOOR REFRIGERATOR CABINET	PREMIER M 70



DIMENSIONS (Net)		DIMENSIONS (Shipping)	
* Width (mm):	690	* Width (mm):	750
* Depth (mm):	920	* Depth (mm):	880
* Height (mm):	2080	* Height (mm):	2150
* Weight (kg):	125	* Weight (kg):	135
		* Volume (m³):	1,42

TECHNICAL SPECIFICATIONS

* Gross Volume:	700 L	* Cooling Temperature:	-5/+12 °C
* Net Volume:	475 L	* Cooling Gas Type:	R600a
* Climate Class:	CC5 (+40 °C - %40 Rh)	* Cooling Capacity:	206 W (-10° / +45°)
* Energy Efficiency Class:	A	* Supply Voltage:	230V / NPE 50 Hz
* Energy Efficiency Index:	24,56	* Protection Class:	IP 2X
* Energy Consumption:	0,935 kW/24h	* Cooling System Design:	Ventilated
* Connection Load:	120 W	* Sound Level:	48 dB

