

**Model**

GMR

Product Description

GMR – Retro Cheese Grater

Product Code

5GMR01

**Standard Features**

- Retro style cheese grater offering excellent performance with an output of 30kgs of cheese and 50kgs of bread per hour
- Retro style painted-cast aluminium structure
- The grater has a special steel roll and is protected with a stainless-steel grid to avoid contact with moving parts
- An interlock is assembled on the cheese pressing handle it is started when the cheese load safety threshold is exceeded to avoid contact with the moving cutting part
- Only suitable for grating hard cheese (e.g. pecorino and parmesan), bread, nuts and biscuits. For cheddar and mozzarella please see the Metcalfe TMC – Mozzarella Cheese Grater.
- Available in single or three phase
- CE Approved

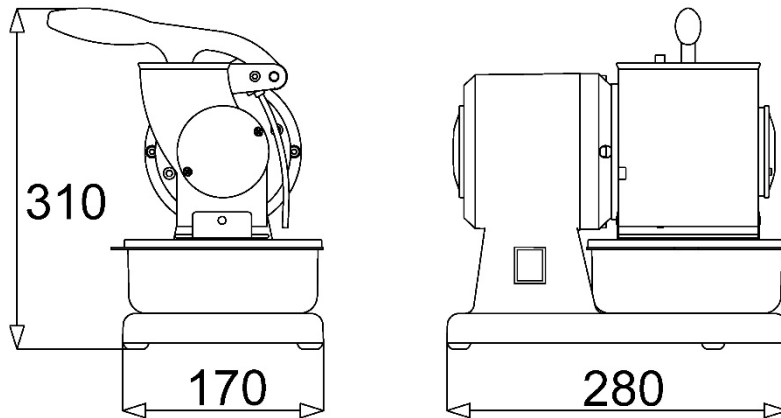
Included as Standard

1 x GMR – Retro Cheese Grater

Warranty

Covered by Metcalfe 1-year warranty and full after sales service

Dimensions



Specifications

Model	Product Code	Output per hour (Kgs)	Phase (Ø)	Motor (Volt)	Frequency (Hz)	AMP (A)	Power (kW) / (hp)
GMR	5GMR01	Up to 50	1	230	50	2.8	0.38 / 0.5

Dimensions | Shipping Information

Model	Overall Dimensions D x W x H (mm)	Net Weight (kg)	Packed Dimensions D x W x H (mm)	Packed Weight (kg)	Volume (m3)
GMR	280 x 170 x 310	8	300 x 260 x 360	9	0.05

Other Dimensions

Grater Mouth (mm)	Grater Roller (mm)
110 x 65	110 x 60

