

**Model**

GSD

**Product Description**

GSD – Cheese Grater

**Product Code**

5GSD01

**Standard Features**

- Professional cheese grater offering excellent performance with an output of up to 70kg of grated cheese per hour
- Polished die-cast aluminium structure
- Polished stainless-steel band and motor casing
- The grater has a special steel roll and is protected with a stainless-steel grid to avoid contact with moving parts
- An interlock is assembled on the cheese pressing handle; it is started when the cheese load safety threshold is exceeded to avoid contact with the moving cutting part
- Ventilated motor with heat sensor
- On/off switch protected with waterproof rubber cover
- Plastic base protection to prevent moisture entering the motor and electrics
- Only suitable for grating hard cheese (e.g. pecorino and parmesan), bread, nuts and biscuits. For cheddar and mozzarella please see the Metcalfe TMC – Mozzarella Cheese Grater.
- Available in single or three phase
- CE Approved

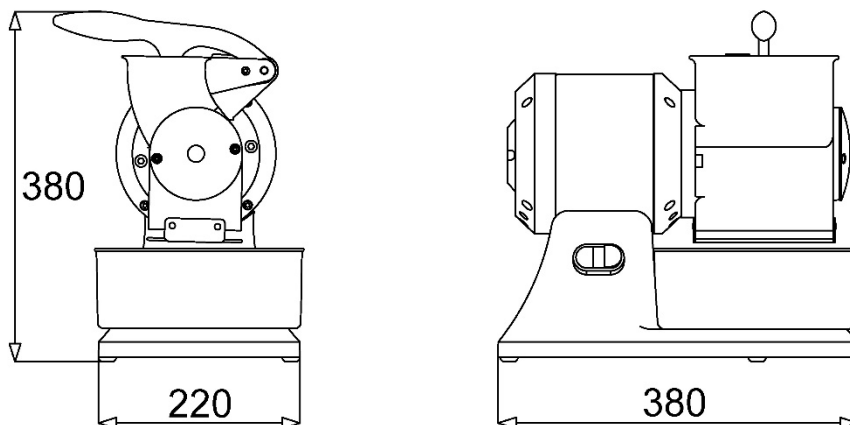
**Included as Standard**

1 x GSD – Cheese Grater

**Warranty**

Covered by Metcalfe 1-year warranty and full after sales service

## Dimensions



## Specifications

Model	Product Code	Output per hour (kgs)	Phase (Ø)	Motor (Volt)	Frequency (Hz)	AMP (A)	Power (kW) / (hp)
GSD	5GSD01	70	1	230	50	4.8	0.75 / 1

## Dimensions | Shipping Information

Model	Overall Dimensions D x W x H (mm)	Net Weight (kg)	Packed Dimensions D x W x H (mm)	Packed Weight (kg)	Volume (m3)
GSD	380 x 220 x 380	18,0	400 x 310 x 400	20,0	0.05

## Other Dimensions

Grater Mouth (mm)	Grater Roller (mm)
140 x 80	140 x 75

We reserve the right to alter the specification and technical details for this item at any time without prior notice.

09/2020

## Metcalfe Catering Equipment Ltd

Haygarth Park  
Blaenau Ffestiniog  
Gwynedd, North Wales  
LL41 3PF

