



### Model

Ti22R

### Product Description

Ti22R – Meat Mincer

### Product Code

5MMSTC22



### Standard Features

- Structured in cast alloy covered entirely in stainless steel
- Output of up to 400kg per hour
- Self-ventilated motor
- Speed reducer with 4 oil-immersed gears made from hardened steel enclosed in an oil-tight gearcase
- All the machine parts can easily be cleaned with a damp cloth
- Grinding unit can be removed completely for easy cleaning
- Stainless steel tray and hopper
- On / Off switch protection with waterproof rubber cover
- Supplied with 6mm extrusion plate
- Additional mincing plates available
- Available in single or three phase
- CE Approved

### Included as Standard

1 x Ti22R – Meat Mincer  
1 x 6mm Extrusion Plate

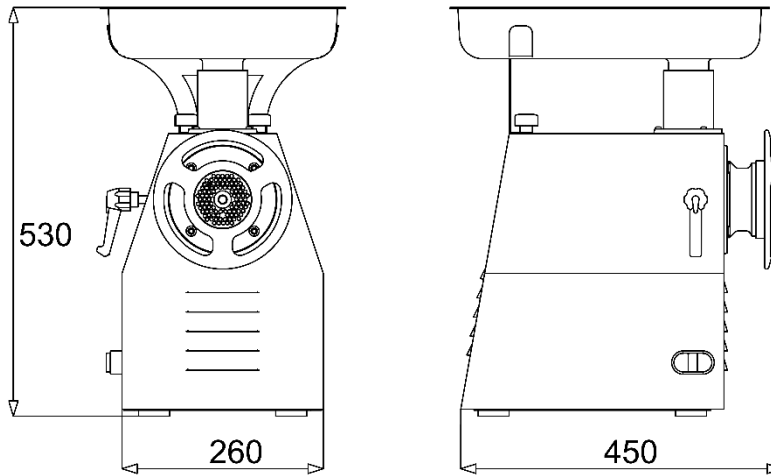
### Warranty

Covered by Metcalfe 1-year warranty and full after sales service

### Optional Accessories

Part No.	Product Description
FM0410/3	Extrusion Plate – 3mm
FM0411/3.5	Extrusion Plate – 3.5mm
FM2219/4.5	Extrusion Plate – 4.5mm
FM2219/6	Extrusion Plate – 6mm
FM2219/8	Extrusion Plate – 8mm
FM2218	Knife

## Dimensions



## Specifications

Model	Product Code	Phase (Ø)	Motor (Volt)	Frequency (Hz)	AMP (A)	Power (kW) / (hp)
Ti22R	5MMSTC22	1	230	50	9.9	1.5 / 2.0

Turns (rpm)	Output per hour (kgs)	Outlet Mouth (mm)	Insert Mouth (mm)	Supplied Plate (mm)
140	350 - 400	82	Ø 52	Ø 6

## Dimensions | Shipping Information

Model	Overall Dimensions D x W x H (mm)	Net Weight (kg)	Packed Dimensions D x W x H (mm)	Packed Weight (kg)	Volume (m3)
Ti22R	450 x 260 x 530	32	590 x 370 x 550	35	0.12

We reserve the right to alter the specification and technical details for this item at any time without prior notice. 08/2021

**Metcalfe Catering Equipment Ltd**

Haygarth Park

Blaenau Ffestiniog

Gwynedd, LL41 3PF

