



F59/500 - IMC MF5 Counter-top Vegetable Peeler - 1 Phase - W 366 mm - 0.25 kW

The high-output, versatile MF5(1PH) can be used to wash, peel and spin a range of food - making it an ideal addition for small to medium kitchens.

- ✓ Able to peel up to 111kg of vegetables per hour - in 5kg batches
- ✓ Versatile - can be used to peel and wash veg and mussels, and spin salad
- ✓ Interlocking lid and door ensure safe operation
- ✓ Perspex viewing pane allows you to monitor the peeling progress
- ✓ Adjustable timer ensures accurate, repeatable peeling times
- ✓ Modular construction facilitates easy maintenance
- ✓ Thicker peeling plate delivers longer operating life
- ✓ Suitable for small to medium kitchens with single-phase power supply

Specifications

Summary

Brand	IMC
Range	MF Multi-Functional Peeler
Power Type	Electric
Unit Type	Counter-top
Available in UK Only	No
UK Warranty	2 Years Parts and Labour Warranty
Export Warranty	Contact your local dealer
Mounting	Counter-top
GTIN	5056105198741

Power and Performance

Total Power kW	0.25
HP	0.33
IP Rating	IP55

Key Specifications

Operator Safety	Interlocks
Timer	Yes
Drain Location	Rear
Airbreak	Yes

Capacity

Capacity Kg per Hour	111
-----------------------------	-----

Weights and Dimensions

Unit Height (External) mm	634
Unit Width (External) mm	366
Unit Depth (External) mm	519
Net Weight Kg	30

Supply Connections

Requires Installation	Yes
Requires Electrical Supply	Yes
UK 3 Pin Plug	No
Requires Hardwiring	Yes
Motor Rating Watts	250
Single Phase Amps	1.6
Single Phase Voltage	230
Water Connection Pressure Bar	2.7-3.8 [40-55 psi]
Drain Connection	38mm
Water Connection	12mm

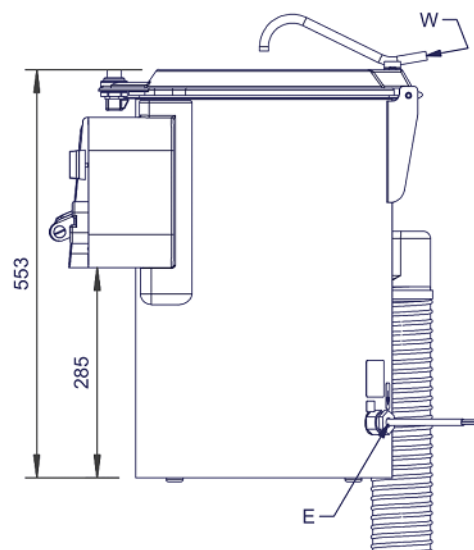
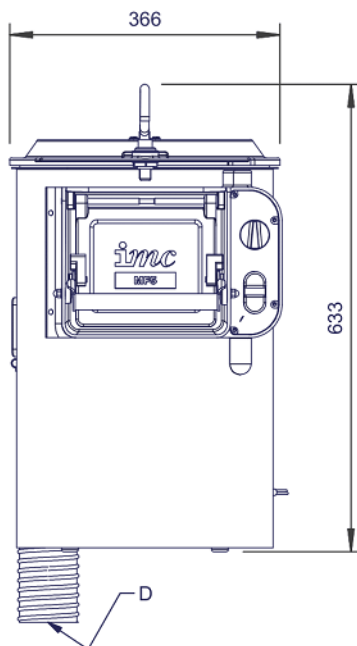
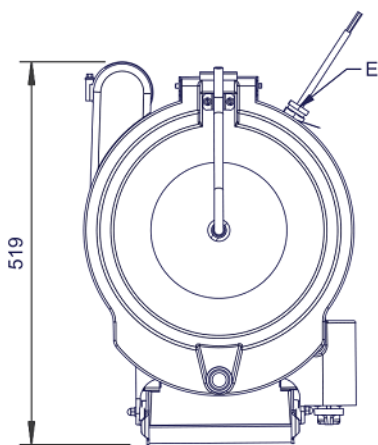
Shipping

Packed Weight Kg	33
Packed Height cm	60
Packed Width cm	51
Packed Depth cm	39

Available Accessories

S59/163	Carborundum Peeling Plate for MF5/MF5L Vegetable Peeler
S59/165	Onion Peeling Plate for MF5/MF5L Vegetable Peeler
S59/167	Knife Peeling Plate for MF5 Vegetable Peeler
S59/169	Salad Spinning Basket for MF5 Vegetable Peeler
S59/172	Washing Plate for MF5 Vegetable Peeler
S59/174	Mussel Washing Plate for MF5 Vegetable Peeler
S59/245	Stand and Filter Basket for MF5/MF5L Vegetable Peeler

Technical Picture





Lincat Limited

Whisby Road,
Lincoln, LN6 3QZ,
United Kingdom

Company No: 2175448

A member company of



Customer Care

Tel: +44 1522 875500
Email: care@lincat.co.uk

Export Customers

Tel: +44 1522 875536
Email: export@lincat.co.uk

Opening Hours

Monday – Friday:
8.30am – 5pm