



Installation Guide for

MXG Scotsman Modular Cubers

Unpacking

- Remove the two banding strips securing equipment to pallet.
- Remove cardboard carton and packaging material.
- Inspect exterior of machine for any potential damage.
- Remove Front, Left & Right hand panels & release machine from the pallet

Remove from inside the machine:

- 1 x water inlet tube
- 1 x drain tube complete with clip

If a separate Storage bin is supplied – Unpack as suggested above, then open the bin door and remove:

- 1 x drain tube kit (complete with clip)
- 1 x drain fitting (may be supplied separately !!)
- 1 x Unit leg kit

Installation

Storage Bin:

Fix 'Legs' onto the base of the Storage bin

If required, install the drain fitting to the base of the storage bin (using PTFE tape also) Secure correctly, the drain hose to the drain fitting using the clip supplied

Stand the storage bin upright and level the bin using the 'adjustable legs' as appropriate

Check that the bin has the foam strip installed all around the top edge

Ice Machine Production Head:

Mount the machine onto the top of the Storage bin locate so to ensure the 'Ice drop' area of the unit is correctly placed. Secure the machine to the Storage bin !!

Again, check that the assembly is level. Adjust legs as required.

Check the following:

- Ambient temperature - minimum 10°C, maximum 40°C
- Adequate space at rear of machine for water and drain connections.
- Minimum airflow clearance requirement of 15cm to both sides of machine.

Note: *if clearance is less, ice production rate could decrease by as much as 25% due to potential overheating if an Air Cooled version is used*

Service Connections:

Check ID on rear of machine for correct voltage (e.g. 230 volt 50 hz for UK use)

Check that the following services are within 1 metre of machine location:

- Cold water supply terminated with a $\frac{3}{4}$ BSP washing machine style stop valve.
- Mains drainage with a connection point lower than the drain outlet of the machine. Connection point must be at least 1 $\frac{1}{4}$ " diameter open and trapped (similar to a domestic washing machine) with any connection made to include a suitable 'back flow' prevention device to 'EN1717'.
- If drain is too high, a stand or condensate pump must be used for the bin **only !!**
- Suitable Electrical Supply (Due to potential high starting current, any socket adaptor with other appliances should not be used.)

Note: *If an external condensate tank pump is to be used, then an additional 13 amp socket outlets will be required.*

- Unit – Connect unit electrical cable to either a suitable Plug & socket arrangement or connect direct into a suitable rated electrical isolator

NOTE - Ensure electrical supply has a correctly rated Circuit Breaker at the distribution unit

- Fit $\frac{3}{4}$ water inlet hose to the machine. Do not overtighten.
- Fit flexible drain hose to machine and secure using clips provided.

Note: *Both hose's are fitted with one straight end and one angled end. Use which ever is the most suitable for this installation.*

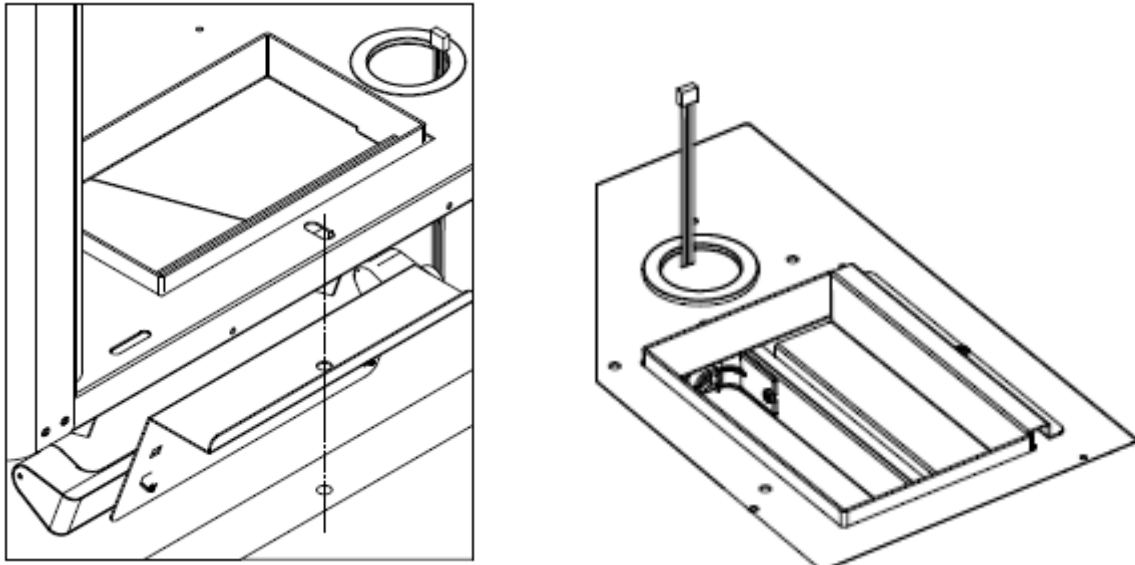
- Connect water inlet hose to water supply 'stop valve'. Do not overtighten.
- Connect drain hose to main waste drain provided by inserting hose into upstand (similar to domestic washing machine).

Note: *To prevent drainage problems caused by loops in the hose, reduce hose length as far as reasonably practicable*

Prior to Start Up:

Inside the front of the unit, Remove any ORANGE 'transit tapes' from areas of the water circuit, spray plate/bars, ensure any spray plate(s) are correctly positioned.

Ensure the Ice level Control is threaded through the base 'grommet' and that the ice level control is located onto the bracket and fixed into the ice drop area of the storage bin as shown:



Check that the unit internal 'Sump' drain tubes are in the upright position (viewed from the front aspect).

The 'PCB' may need to be set up to site/location requirements (*See Service Manual for instructions on how to complete if this is required*)

Remove protective film from outer panels.

Start Up Procedure (MXG Equipment) –

- Turn on water and power supply (Green pushbutton on front panel).
- At this point solenoids coils will be heard and water should then enter the machine and begin to fill the water tank, the water pump and fan motor will also begin to operate.

- When the water tank is full and excess water is running through the drain, the machine should now start an ice making cycle (this after approx 5 minutes) with the compressor in operation.
- After approximately 20 - 25 minutes, ice cubes should fall down/through the vertical chute and into the storage bin. The machine will then automatically refill with water and start the next cycle.

Count and inspect the cubes:

- MXG328/428 = 102 per cycle
- MXG438/638/938 = 204 per cycle
- Each cube should be clear and solid with a small depression of about 6mm at the base.
- Any adjustments to 'dip-switch' settings for ice size should be discussed with the engineer installing the equipment or Hubbard Ice Technical Department in the first instance.

NOTE - The above procedures are designed to supplement guidance given in the user handbook, not replace it.

HTG Trading Ltd (Hubbard Systems)
Unit 106 Claydon Business Park
Great Blakenham
Ipswich
Suffolk
IP6 0NL

T – 01473 350045

E – sales@hubbardsystems.co.uk or service@hubbardsystems.co.uk