



**Model**

NS300A

**Product Description**

Slicer, 12", Automatic, Heavy Duty

**Product Code**

5S514N



**Standard Features**

- Automatic slicer designed to cut large quantities of food. Suited to large restaurants, supermarkets, delis, butchers and central production kitchens / canteens, where high volume of meat types is required, and precise control of the automatic slicing feature is necessary
- Two independent motors (one for blade and one for carriage movement)
- Can be used as a fully automatic slicer or switches to manual
- Simple, intuitive touch control panels allow for the selection of multiple slicing options
- Hollow ground chromed carbon steel blade
- Easy set thickness control allows for precision slicing
- Made from high polished, anodised food grade aluminium for durability and hygiene
- Large base to ensure slicer has a large capacity to cope with large products
- Ergonomic design with smooth rounded edges to allow for fast and easy cleaning and improved levels of hygiene
- Fully interlocked and safe guarded for full compliance of CE legislation. This ensures all-round blade protection for the ultimate user safety during cleaning
- Built-in, self-aligning sharpening and de-burring unit
- Table / carriage, blade cover, blade and sharpening unit are detachable for easy, safe cleaning
- Optional voltages and frequencies available on request
- CE Approved

**Standard Accessories**

- 1 x Knife Remover
- 1 x Flat Head Screwdriver
- 1 x Tasteless Oil

**Warranty**

Covered by Metcalfe 2-year warranty (1<sup>st</sup> year parts and labour, 2<sup>nd</sup> year parts only) and full after sales service

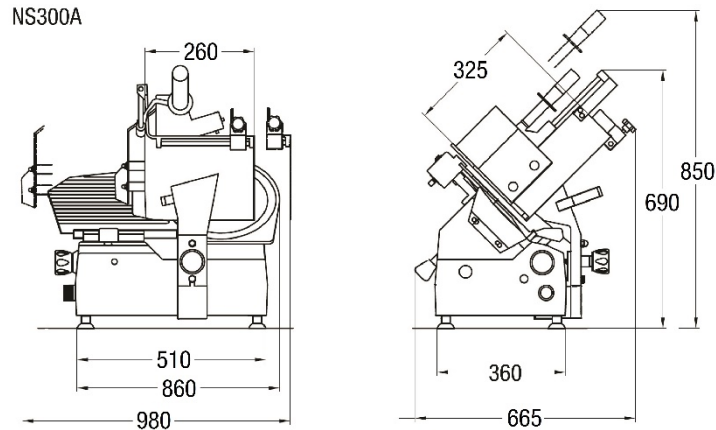
**Optional Accessories**

Item
Stainless Steel Guard
Product Hold Bar for Gravity Plate
Painting Customisation
Vegetable Tube

Item
Serrated Blade
Teflon Coated Parts (Blade Cover, Gauge Plate, Blade)
Special Arm (Protected)

Item
Stainless Steel Knife Remover
Aluminium Knobs
Plastic Cover – Medium

## Drawing



## Specifications

Model	Blade (mm) / (Inch)	Phase (Ø)	Motor (Volt)	Frequency (Hz)	Current (Amp)	Power (kW)
NS300A	300 / 12	1	220	50	1.77	0.39

## Capacity

Model	Cutting Capacity (mm)		Carriage Movement (mm)	Max Slice Thickness (mm)	Slices Per Min
NS300A	● 215	□ 220 x 185	290	14	Min 35 – Max 58

## Dimensions | Shipping Information

Model	Overall Dimensions D x W x H (mm)	Net Weight (kg)	Packed Dimensions D x W x H (mm)	Packed Weight (kg)	Volume (m3)
NS300A	665 x 980 x 850	46	600 x 710 x 620	54	0.264

We reserve the right to alter the specification and technical details for this item at any time without prior notice. 10/2020

**Metcalfe Catering Equipment Ltd**

Haygarth Park

Blaenau Ffestiniog

Gwynedd, LL41 3PF

