



## OE8113 - Lincat Opus 800 Electric Free-standing Twin Tank Fryer - 2 Baskets - W 600 mm - 24.0 kW

An accurate Opus 800 Twin-Tank Free Standing Electric Fryer which comes with two independent fryer tanks for greater versatility.

- ✔ Two independent fryer tanks for greater versatility
- ✔ Accurate thermostatic control up to 190°C for consistent results and safe operation
- ✔ Hinged, lift out element, with safety interlock for easy tank access and cleaning

### Specifications

#### Summary

Brand	Lincat
Range	Opus 800
Power Type	Electric
Unit Type	Free-standing
Available in UK Only	No
UK Warranty	2 Years Parts and Labour Warranty
Export Warranty	Contact your local dealer
GTIN	5056105102960

#### Power and Performance

Total Power kW	24.0
Temperature Range °C	90-190
IP Rating	IP24
Temperature Control	Mechanical

#### Key Specifications

Number of Baskets	2
Number of Tanks	2
Gravity Filtration	No
Pumped Filtration	No
Drain Location	Through the body

#### Capacity

Product Output per Hour	64kg chips - 12mm [frozen], 84kg chips - 12mm [chi]
Capacity Litres	2 x 15.0

#### Weights and Dimensions

Unit Height (External) mm	1020
Unit Width (External) mm	600
Unit Depth (External) mm	800
Net Weight Kg	99

#### Supply Connections

Requires Installation	Yes
Requires Electrical Supply	Yes
UK 3 Pin Plug	No
Requires Hardwiring	Yes
Electrical Supply Rating Watts	24,000
Three Phase Amps	L1/L2/L3= 34.8 [1 cab]; L1/L2/L3= 2 x 17.4 [2 cab]
Three Phase Voltage	400

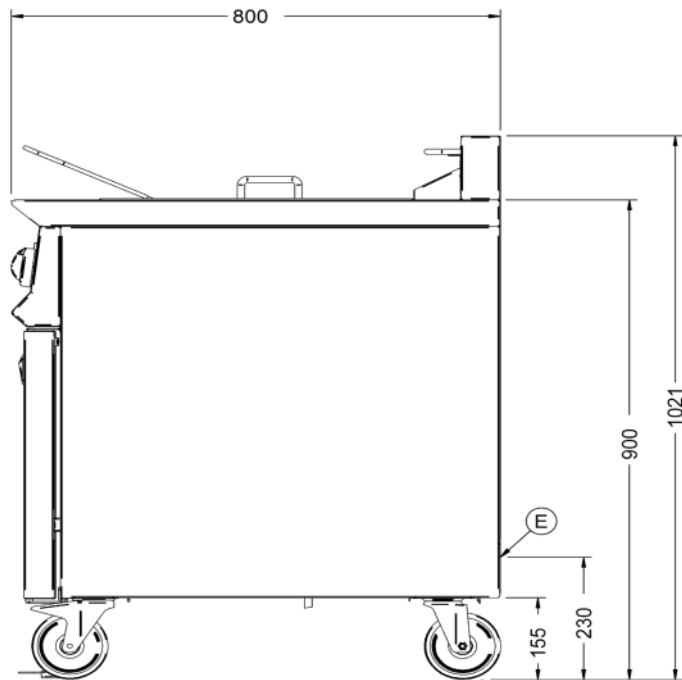
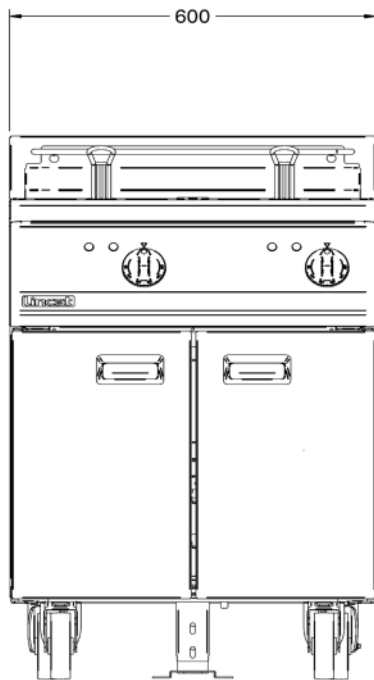
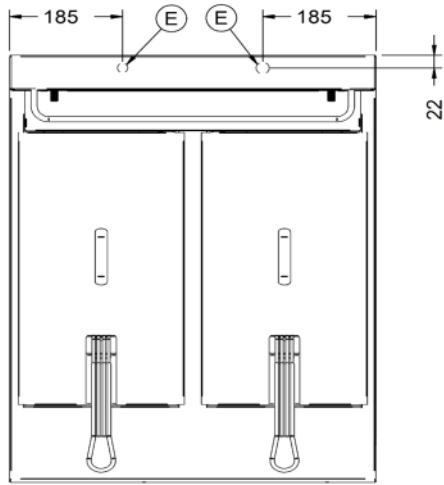
#### Shipping

Packed Weight Kg	108.9
Packed Height cm	122
Packed Width cm	70
Packed Depth cm	85

### Available Accessories

LK02	OPUS 350 LEG KIT
OA8954	SPLASHGUARD FOR OPUS 800 ELECTRIC FRYERS
OF2	Oil filter kit - size 2

Technical Picture



**Lincat Limited**

Whisby Road,  
Lincoln, LN6 3QZ,  
United Kingdom

**Company No:** 2175448

A member company of



**Customer Care**

**Tel:** +44 1522 875500  
**Email:** care@lincat.co.uk

**Export Customers**

**Tel:** +44 1522 875536  
**Email:** export@lincat.co.uk

**Opening Hours**

**Monday – Friday:**  
8.30am – 5pm