



## OE8405 - Lincat Opus 800 Electric Counter-top Chargrill - W 600 mm - 8.4 kW

Embrace the unique versatility of the Opus 800 Three-Zone Electric Chargrill, which provides three heat zones that can form differing temperature on the same surface, allowing you to cook chicken fillets only inches away from steaks.

- ✓ Three multiple heat zones can form differing temperature on the same surface, allowing you to cook chicken fillets only inches away from steaks. Individual zones can be turned off during quiet periods.
- ✓ Uniquely designed radiant's add just the right level of flaring to enhance flavour whilst the heavy duty branding grids add the appetising finish
- ✓ Removable, durable, segmented cast iron grids impart attractive branding marks to food
- ✓ Hinging, interlocked elements and integral water bath makes cleaning easier
- ✓ Plumbed to water supply for quick and easy filling of water bath with alternative manual fill facility

### Specifications

#### Summary

<b>Brand</b>	Lincat
<b>Range</b>	Opus 800
<b>Power Type</b>	Electric
<b>Unit Type</b>	Counter-top
<b>Available in UK Only</b>	No
<b>UK Warranty</b>	2 Years Parts and Labour Warranty
<b>Export Warranty</b>	Contact your local dealer
<b>GTIN</b>	5056105102878

#### Power and Performance

<b>Total Power kW</b>	8.4
<b>Temperature Range °C</b>	90-300
<b>IP Rating</b>	IP24
<b>Cooking Area (Width x Depth) mm</b>	560 x 530
<b>Temperature Control</b>	Mechanical

#### Key Specifications

<b>Number of Heat Zones</b>	3
-----------------------------	---

#### Capacity

<b>Product Output per Hour</b>	48 x 225g [8oz] steaks [chilled]
--------------------------------	----------------------------------

#### Weights and Dimensions

<b>Unit Height (External) mm</b>	415
<b>Unit Width (External) mm</b>	600
<b>Unit Depth (External) mm</b>	817
<b>Net Weight Kg</b>	57

#### Supply Connections

<b>Requires Installation</b>	Yes
<b>Requires Electrical Supply</b>	Yes
<b>UK 3 Pin Plug</b>	No
<b>Requires Hardwiring</b>	Yes
<b>Electrical Supply Rating Watts</b>	8,400
<b>Three Phase Amps</b>	L1=12.2; L2=12.2; L3=12.2
<b>Three Phase Voltage</b>	400
<b>Water Connection Pressure Bar</b>	0.2-10.0
<b>Drain Connection</b>	22 mm
<b>Water Connection</b>	3/4"

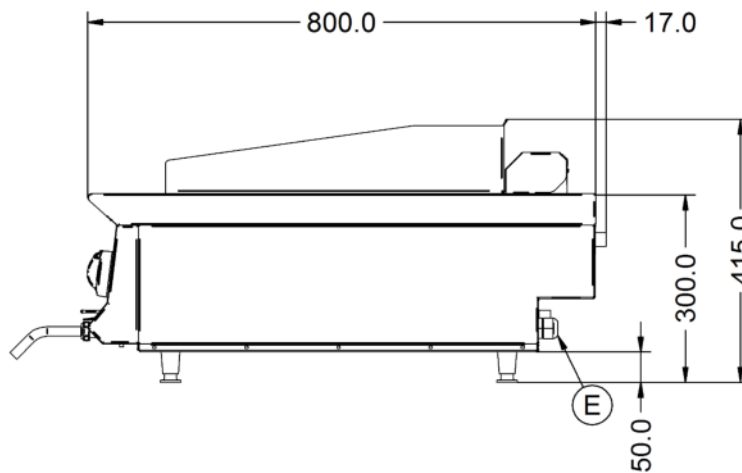
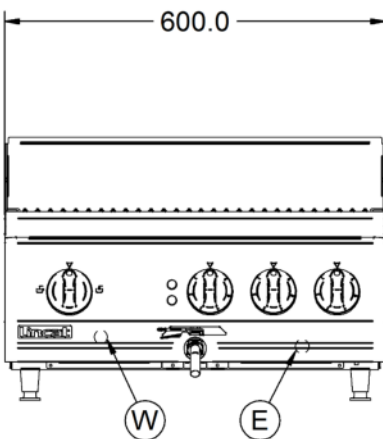
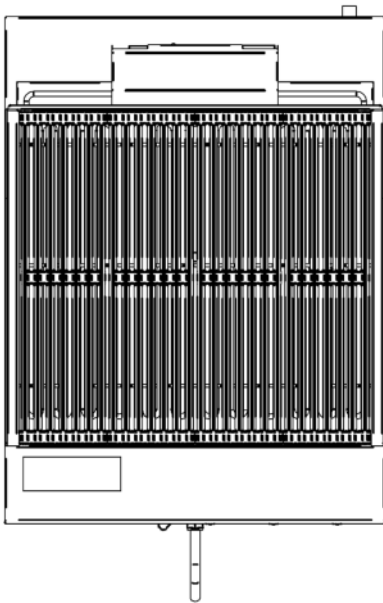
#### Shipping

<b>Packed Weight Kg</b>	62.7
<b>Packed Height cm</b>	64
<b>Packed Width cm</b>	85
<b>Packed Depth cm</b>	70

Available Accessories

<b>OA8917</b>	Lincat Opus 800 Free-standing Floor Stand with Legs - for units W 600 mm
<b>OA8917/C</b>	Lincat Opus 800 Free-standing Floor Stand with Castors - for units W 600 mm
<b>OA8972</b>	Lincat Opus 800 Free-standing Pedestal with Doors and Legs - for units W 600 mm
<b>OA8972/C</b>	Lincat Opus 800 Free-standing Pedestal with Doors and Castors - for units W 600 mm
<b>OA8986</b>	KEEP WARM SHELF - OE8405
<b>OA8987</b>	CONDIMENT HOLDER 2 x 1/9

Technical Picture





**Lincat Limited**

Whisby Road,  
Lincoln, LN6 3QZ,  
United Kingdom

**Company No:** 2175448

A member company of



**Customer Care**

**Tel:** +44 1522 875500  
**Email:** care@lincat.co.uk

**Export Customers**

**Tel:** +44 1522 875536  
**Email:** export@lincat.co.uk

**Opening Hours**

**Monday – Friday:**  
8.30am – 5pm