



OE8406 - Lincat Opus 800 Electric Counter-top Chargrill - W 900 mm - 12.4 kW

Embrace the unique versatility of the Opus 800 Six-Zone Electric Chargrill, which provides six heat zones that can form differing temperature on the same surface, allowing you to cook chicken fillets only inches away from steaks.

- ✓ Six multiple heat zones can form differing temperature on the same surface, allowing you to cook chicken fillets only inches away from steaks. Individual zones can be turned off during quiet periods.
- ✓ Uniquely designed radiant's add just the right level of flaring to enhance flavour whilst the heavy duty branding grids add the appetising finish
- ✓ Removable, durable, segmented cast iron grids impart attractive branding marks to food
- ✓ Hinging, interlocked elements and integral water bath makes cleaning easier
- ✓ Plumbed to water supply for quick and easy filling of water bath with alternative manual fill facility

Specifications

Summary

Brand	Lincat
Range	Opus 800
Power Type	Electric
Unit Type	Counter-top
Available in UK Only	No
UK Warranty	2 Years Parts and Labour Warranty
Export Warranty	Contact your local dealer
GTIN	5056105102885

Power and Performance

Total Power kW	12.4
Temperature Range °C	90-300
IP Rating	IP24
Cooking Area (Width x Depth) mm	860 x 530
Temperature Control	Mechanical

Key Specifications

Number of Heat Zones	6
-----------------------------	---

Capacity

Product Output per Hour	60 x 225g [8oz] steaks [chilled]
--------------------------------	----------------------------------

Weights and Dimensions

Unit Height (External) mm	415
Unit Width (External) mm	900
Unit Depth (External) mm	817
Net Weight Kg	60.6

Supply Connections

Requires Installation	Yes
Requires Electrical Supply	Yes
UK 3 Pin Plug	No
Requires Hardwiring	Yes
Electrical Supply Rating Watts	12,400
Three Phase Amps	L1=18.0; L2=9.0; L3=9.0
Three Phase Voltage	400
Water Connection Pressure Bar	0.2-10.0
Drain Connection	22 mm
Water Connection	3/4"

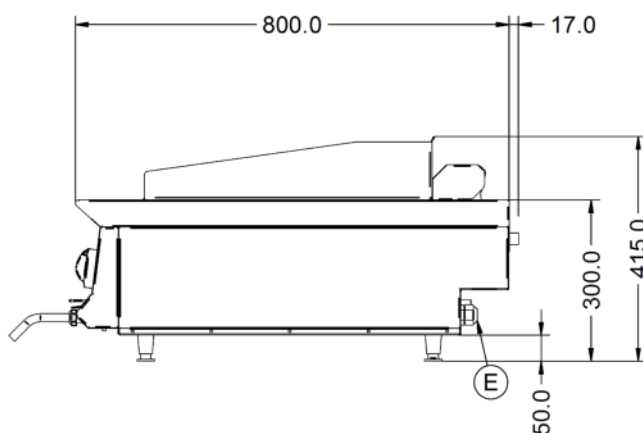
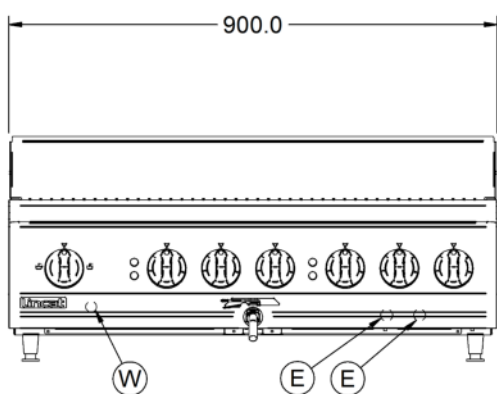
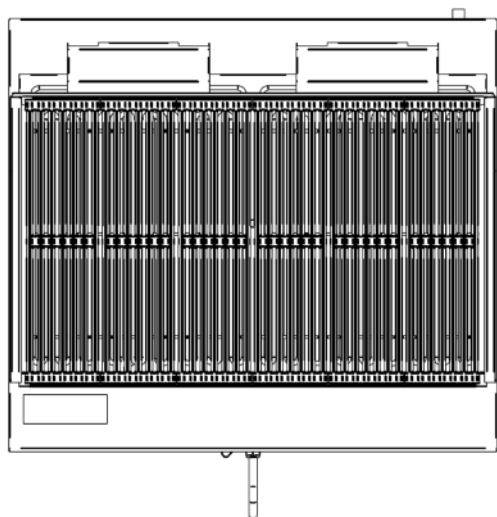
Shipping

Packed Weight Kg	66.66
Packed Height cm	65
Packed Width cm	100
Packed Depth cm	80

Available Accessories

OA8914	Lincat Opus 800 Free-standing Floor Stand with Legs - for units W 900 mm
OA8914/C	Lincat Opus 800 Free-standing Floor Stand with Castors - for units W 900 mm
OA8959	TOOL HOLDER OPUS ACCESSORY
OA8973	Lincat Opus 800 Free-standing Pedestal with Doors and Legs - for units W 900 mm
OA8973/C	Lincat Opus 800 Free-standing Pedestal with Doors and Castors - for units W 900 mm
OA8987	CONDIMENT HOLDER 2 x 1/9

Technical Picture





Lincat Limited

Whisby Road,
Lincoln, LN6 3QZ,
United Kingdom

Company No: 2175448

A member company of



Customer Care

Tel: +44 1522 875500
Email: care@lincat.co.uk

Export Customers

Tel: +44 1522 875536
Email: export@lincat.co.uk

Opening Hours

Monday – Friday:
8.30am – 5pm