



## OG8002/N - Lincat Opus 800 Natural Gas Free-standing Oven Range - 6 Burners - W 900 mm - 55.0 kW

This powerful Opus 800 gas oven range is built to deliver high volumes of top quality food and will withstand the rigours of even the busiest kitchen.

- ✓ Powerful 7.5kW dual concentric burners for focused heat distribution from a fast boil to a low simmer
- ✓ Individual heavy-duty single cast iron supports, built to withstand the rigours of the busiest kitchen
- ✓ Low flue to allow use of the complete hob top
- ✓ Powerful 9.5kW oven
- ✓ Large 4 x GN1/1 capacity oven enabling four different foods to be cooked simultaneously
- ✓ Gas Oven Ranges

### Specifications

#### Summary

<b>Brand</b>	Lincat
<b>Range</b>	Opus 800
<b>Power Type</b>	Gas
<b>Gas Type</b>	Natural Gas
<b>Unit Type</b>	Free-standing
<b>Available in UK Only</b>	No
<b>UK Warranty</b>	2 Years Parts and Labour Warranty
<b>Export Warranty</b>	Contact your local dealer
<b>GTIN</b>	5056105102205

#### Power and Performance

<b>BTU per Hour</b>	187,660
<b>Total Power kW</b>	55.0
<b>Temperature Range °C</b>	120-260
<b>Cooking Area (Width x Depth) mm</b>	900 x 600
<b>Temperature Control</b>	Mechanical
<b>Rating per Hob kW</b>	7.5
<b>Oven Rating kW</b>	10.0

#### Key Specifications

<b>Number of Shelves included</b>	2
<b>Number of Shelf Positions</b>	5
<b>Number of Hobs</b>	6
<b>Shape of Hob</b>	Square

#### Capacity

<b>Gastronorm Capacity</b>	4 x GN1/1
----------------------------	-----------

#### Weights and Dimensions

<b>Unit Height (External) mm</b>	920
<b>Unit Width (External) mm</b>	900
<b>Unit Depth (External) mm</b>	800
<b>Height (Internal) mm</b>	405
<b>Width (Internal) mm</b>	715
<b>Depth (Internal) mm</b>	530
<b>Shelf Dimensions Width mm</b>	710
<b>Shelf Dimensions Depth mm</b>	512
<b>Hob Dimensions mm</b>	300 x 300
<b>Net Weight Kg</b>	136.4

#### Supply Connections

<b>Requires Installation</b>	Yes
<b>Requires Electrical Supply</b>	No
<b>Gas Connection BSP</b>	3/4"
<b>Gas Consumption at full rate Natural m³ per Hour</b>	5.19
<b>Gas Pressure Natural mbar</b>	20
<b>Total heat input at full rate Natural kW</b>	54.5
<b>Total heat input at full rate Natural BTU per hour</b>	185,954

#### Shipping

<b>Packed Weight Kg</b>	150.04
<b>Packed Height cm</b>	107
<b>Packed Width cm</b>	100
<b>Packed Depth cm</b>	85

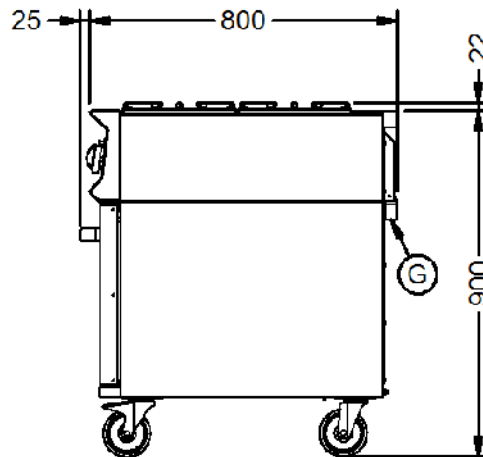
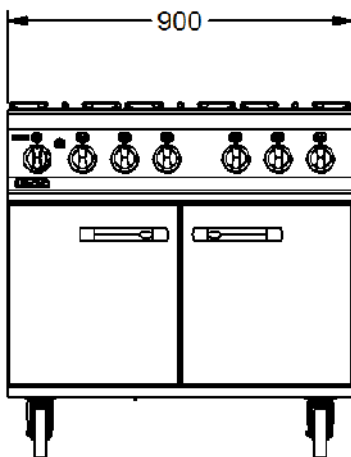
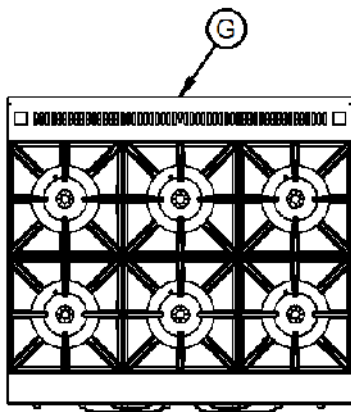
### Available Accessories

Available Accessories

OA8902

SPLASHBACK/SHELF - OG8002

Technical Picture





**Lincat Limited**

Whisby Road,  
Lincoln, LN6 3QZ,  
United Kingdom

**Company No:** 2175448

A member company of



**Customer Care**

**Tel:** +44 1522 875500  
**Email:** care@lincat.co.uk

**Export Customers**

**Tel:** +44 1522 875536  
**Email:** export@lincat.co.uk

**Opening Hours**

**Monday – Friday:**  
8.30am – 5pm