



MILLENNIUM STDPAS110



MILLENNIUM PAS164



Ice Cream Serve Over Version
Available pages 118 & 119

Product Description

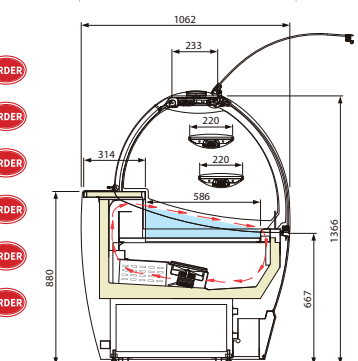
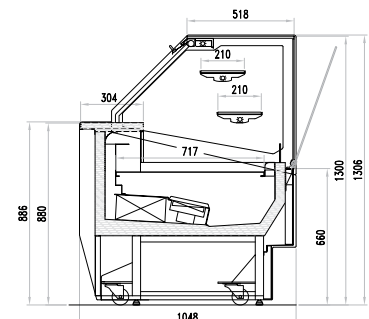
The Millennium range of stylish patisserie displays from ISA is a premium cabinet for the professional retailer. The unit comes in 3 different length options. The large glass canopy creates a stunning display of all the pastries and the ventilated cooling allows the product to be served at the perfect temperature. There is also a matching ice cream/ gelato model to complement the range.

Features and Benefits

- Fully automatic
- Ventilated (fan assisted) cooling
- Adjustable feet
- Interior light with switch
- Digital controller and temperature display
- Rear night curtain
- Glass hinged for cleaning
- Anti mist glass
- Castors
- Alternative front panel options - POA

Technical Specifications

Temperature Range	+1/+10°C
Refrigerant	R404a
Type of Defrost	Timed Off Cycle
Exterior Finish	Grey
Interior Finish	Stainless Steel
Power Required	13 Amp
Max Ambient	25°C at 60% RH
Climate Class	3



Model	Description	Ext.	Dimensions (mm)			Kg	No. of Shelves	Price	Next Day
			H	W	D				
MILLENNIUM PAS110	Grey	Ext.	1393	1103	1063	205	2	£4,829	X
MILLENNIUM PAS164	Grey	Ext.	1393	1643	1063	285	2	£6,077	X
MILLENNIUM PAS218	Grey	Ext.	1393	2183	1063	370	2	£7,256	X
MILLENNIUM STDPAS110	Grey	Ext.	1306	1103	1048	205	2	£4,829	X
MILLENNIUM STDPAS164	Grey	Ext.	1306	1643	1048	285	2	£6,077	X
MILLENNIUM STDPAS218	Grey	Ext.	1306	2183	1048	370	2	£7,256	X

