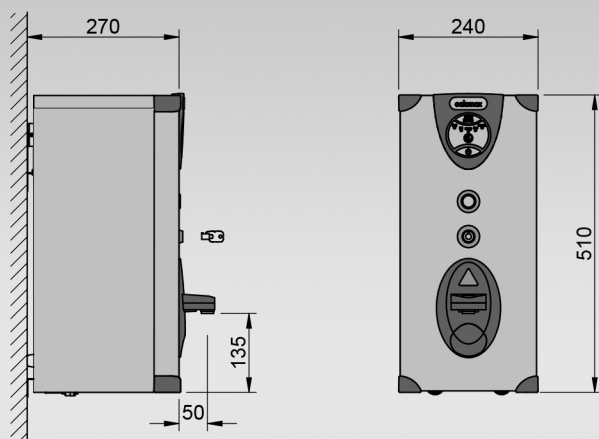


ECLIPSE PB3W5



Key Features:

- Key operated, lock / unlock status
- Push button dispense operation
- Concealed tap for additional safety
- UK designed and made
- 5L rapid draw off
- Easy install and service features - removable front panel
- Energy-saving "eco" button which reduces the volume of boiling water by 50% at "off peak" times of demand
- Clear and unambiguous self-diagnostic display panel
- Integral scale-inhibitor technology
- Extended 2-year warranty
- No steam emissions
- Discrete on/off switch incorporated into moulding
- Competitively priced
- Cool-to-touch stainless steel outer casing



SIZE	REF	CASING	RATING	CAPACITY (including initial draw-off)	DIMENSIONS (W x D x H)
5 LITRE	PB3W5	STAINLESS STEEL	3kW	25 LITRES PER HOUR	240 x 270 x 510