



# PEELER & SALAD DRYER PES-20

2 in 1: potato peeler & salad dryer.



- ✓ Capacity per operation (lettuces): 2-3
- ✓ Equipment: abrasive plate: 1

### Draining function

- ✓ Drainer hourly production: 20 Kg
- ✓ Production/hour (salad spinner): 19.5 l
- ✓ Draining basket: 1

### General features

- ✓ Timer (min-max): 0 ' - 6 '
- ✓ Total loading: 550 W

### External dimensions (WxDxH)

- ✓ Width: 433 mm
- ✓ Depth: 635 mm
- ✓ Height: 786 mm

### External dimensions with stand

- ✓ Width with stand: 433 mm
- ✓ Depth with stand: 638 mm
- ✓ Height with stand: 1155 mm

Net weight: 39 Kg

Noise level (1m.): <70 dB(A)

Background noise: 32 dB(A)

## SALES DESCRIPTION

As potato peeler: 20 Kg load per cycle.  
As salad dryer: 2 Kg load per cycle (20 Kg/h) capacity.

- ✓ Potato peeler manufactured in stainless steel.
- ✓ Aluminium base plate lined with silicon carbide abrasive (approved by NSF), easily removable for cleaning purposes.
- ✓ Water inlet system with non-return air break.
- ✓ Watertight controls (IP65).
- ✓ Lifiable cover.
- ✓ As salad dryer:
- ✓ Capacity: 2 Kg per cycle (20 Kg/h).
- ✓ Volume: 19.5 litres.

## INCLUDES

- ✓ Abrasive plate.
- ✓ Drying basket.

## OPTIONAL

- Stainless steel floor stand.
- Knife plate.
- Filter with no-foam feature.

## ACCESSORIES

- Knife plate for PES-20
- Filters for potato peelers M / PI / PES
- Stands for potato peelers
- Plastic basket set

## SPECIFICATIONS

### Peeler function

- ✓ Hourly production: 300 Kg
- ✓ Capacity per load: 20 Kg

## AVAILABLE MODELS

1000670	Potato peeler-salad drier PES-20 230-400/50/3N
1000671	Potato peeler-salad drier PES-20 230/50/1
1000672	Potato peeler-salad drier PES-20 220-380/60/3N
1000673	Potato peeler-salad drier PES-20 220/60/1
1000676	Potato peeler-salad drier PES-20 120/60/1

\* Ask for special versions availability

DYNAMIC PREPARATION  
COMMERCIAL POTATO PEELERS



product sheet  
updated 06/06/2023

SAMMIC S.L.  
Basiglio, 1 - 20129 AZCOGNA  
www.sammic.com

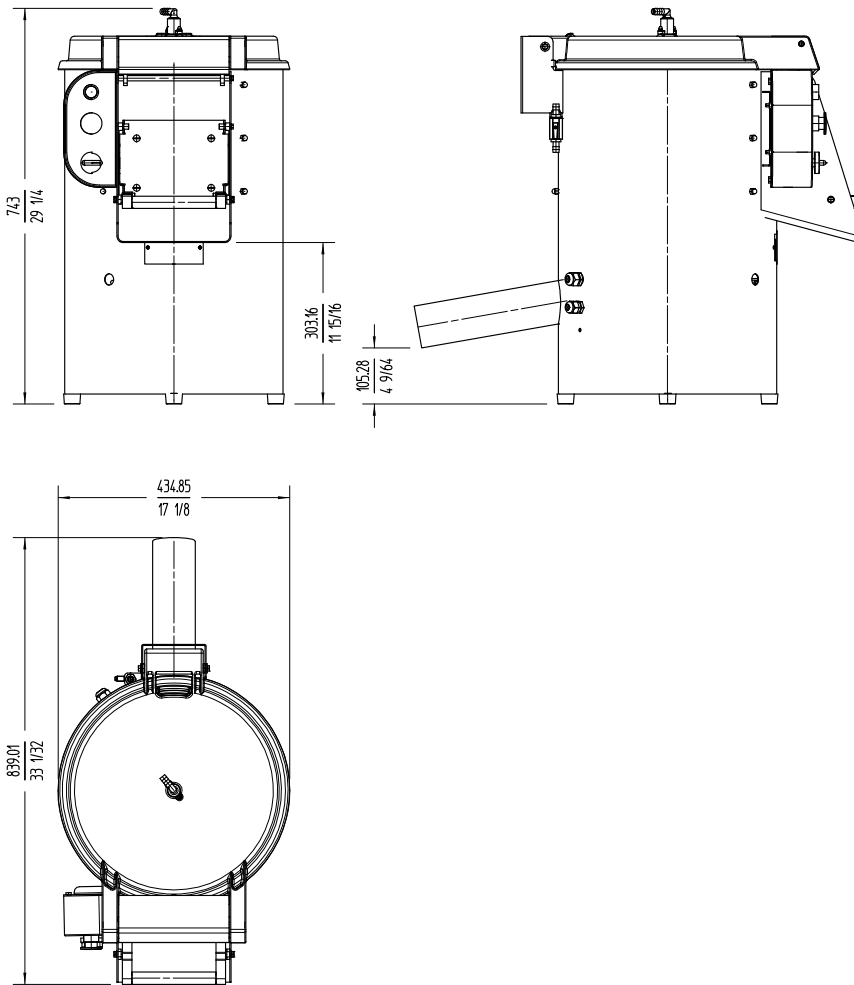


# PEELER & SALAD DRYER PES-20

2 in 1: potato peeler & salad dryer.



DYNAMIC PREPARATION  
COMMERCIAL POTATO PEELERS



[www.sammic.co.uk](http://www.sammic.co.uk)

Food Service Equipment Manufacturer

Unit 2, Trevanah Road  
Troon Industrial Park  
LE4 9LS - Leicester

[uksales@sammic.com](mailto:uksales@sammic.com)  
Tel.: +44 0116 246 1900



Project

Date

Item

Qty

Approved

product sheet  
updated 06/06/2023