



VARIO-THERM

PH2 Heated Plate Dispenser

Key features

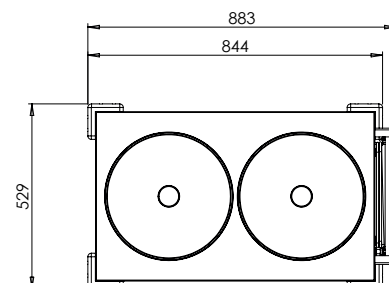
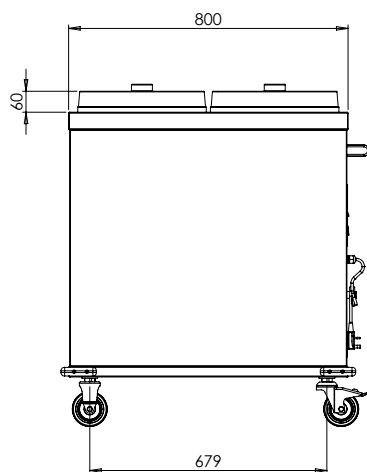
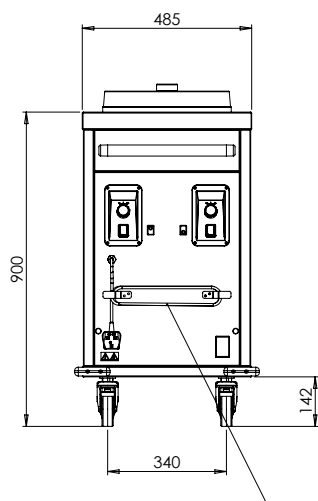
- Twin stack plate warmer with independent controls
 - Save energy during quieter service periods
- Mobile safe plate storage
 - Roll away when not required
 - Keeps plates safe when not in use
- Holds plates of diameter 180-260mm
 - Perfect for typical plate sizes and styles
- 60 x plate capacity per stack
 - Ample storage space
- 13A plug fitted as standard
 - Can be used anywhere there's an available power supply
- 2.5m long cable
 - Integrated cable tidy ensures neat storage
- Corner bumpers for added protection
 - Protect unit and walls from damage
- Supplied with lids
 - Retains heat pre-service and offers protection to plates when not in use

Similar Models

- PH1 heated plate dispenser



Heated Plate Dispenser



Measurements *in mm*

Specification *details*

Electrical rating (kW)	0.8
Electrical supply voltage	230V
Electrical current split (A)	L1: 3.5
Plate capacity	2 x 60
Minimum plate diameter (mm)	180
Maximum plate diameter (mm)	260
Weight (kg)	50
Packed weight (kg)	58
Packed dimensions (w x d x h - mm)	500 x 800 x 1100
GTIN number	5056466906818

