



solo per professionisti

Authorized Distributor:
FOODSERVICE EQUIPMENT MARKETING
10 CARRON PLACE-KELVIN IND.ESTATE G75 0YL GLASGOW()
TEL./FAX. 0044-1355 244111 / 0044-1355 241471
E-mail:sales@fem.co.uk



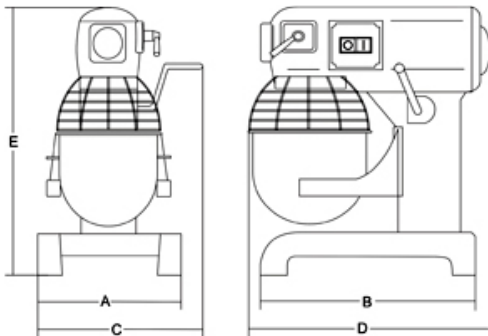
Sirman Planetary Mixers , model Plutone 40 :

- Machine body made from large thickness powder coated steel
- bowl protection made from metal wire
- easy to remove bowl made from stainless steel 304
- safety microswitches for the lid and the bowl
- 3 easy to remove metal tools: aluminium spatula and hook, steel and aluminium whisk
- 3 speed gear
- steel gear box
- ventilated motor
- control with speed control
- P.T.O.



Standard s/steel accessory

Data sheet



Technical data

Model	Plutone 40
Power	watt 2200
Power source	3ph
Whisk revolutions	1 = 99 2 = 221 3 = 307
Bowl capacity	lt 40
A	mm 670
B	mm 784
C	mm 707
D	mm 698
E	mm 1316
Net weight	kg 225
Shipping	mm 860x790x1500
Gross weight	kg275
HS-CODE	84381090