

RAVEL Serve Over Counters - Flat Glass

Refrigerated, Hot or Ambient Display Systems - 974mm deep



FEATURES

Straight glass

Models 1420 upwards available with refrigerated under storage

Each shelf illuminated on the underside

LED lighting

Choice of wood and lacquered finishes with stainless steel worktops and plinths

Granite, stone, marble worktops and plinths are also available (POA)

Two intermediate glass shelves for ambient display (chilled and ambient serve over models only)

Display deck 665mm deep

Multiplexible solutions available (POA)

Remote options available - please contact the Sales Office

IMPORTANT NOTE

Refrigerated serve over displays are designed to keep food products at refrigerated temperatures whilst displaying them for sale. Some counters have built in under-storage. The concept of a display counter is to display products ready for sale, the under-storage is intended to store additional products moved from a refrigerator to enable the operator to restock the display deck when products have been sold.

Many display counters are open displays and are not intended to be used as a long term storage cabinet. Serve over display need to be switching off for cleaning and regular maintenance and often require a manual defrost as in the UK many operate in high humidity conditions which can cause icing up issues.

TECHNICAL SPECIFICATIONS - REFRIGERATION

Controller:	Digital controller with temperature display
Cooling:	Static
Defrost:	Automatic
Refrigerant:	R452a
Climate Class:	3
Temperature Range:	+3°C ~ +6°C
Power Supply:	13amp

TECHNICAL SPECIFICATIONS - BAIN MARIE

Controller:	Manual thermostat
Temperature Range:	+66°C ~ +90°C
Power Supply:	20amp

TECHNICAL SPECIFICATIONS - HOT PLATE

Controller:	Manual thermostat
Temperature Range:	+66°C ~ +90°C
Power Supply:	13amp



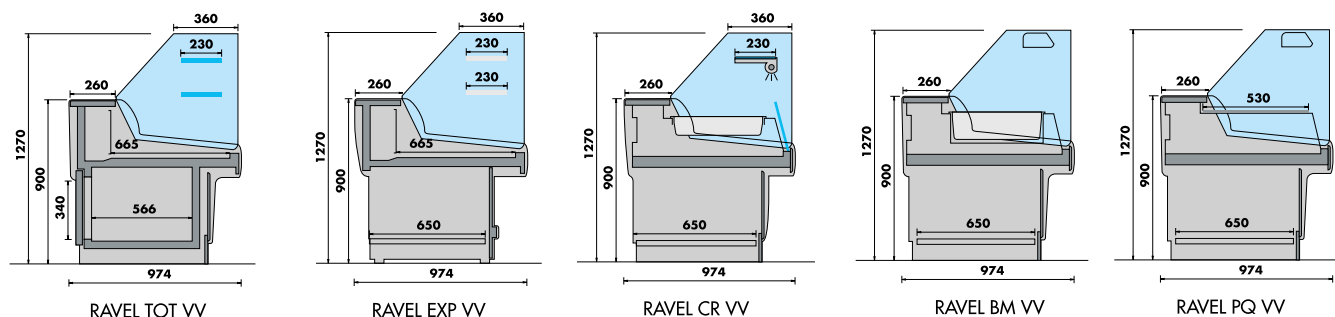
Units available as stand-alone models (shown above) or fully multiplexed installation (shown left)

Black of Dunoon (Scotland)



MODEL	DOOR	CONTAINER CAPACITY	EXTERNAL DIMENSIONS (H x W x D mm)	POWER CONSUMPTION	WEIGHT (kg)	RRP
Refrigerated Flat Glass with Refrigerated Under Storage						
RAVEL1420 TOT-FE-VV	1	-	1270 x 1480 x 974	450W	234	
RAVEL1920 TOT-FE-VV	2	-	1270 x 1980 x 974	630W	270	
RAVEL2420 TOT-FE-VV	3	-	1270 x 2480 x 974	740W	435	
RAVEL2840 TOT-FE-VV	3	-	1270 x 2900 x 974	1300W	510	
Refrigerated Flat Glass NO Under Storage						
RAVEL960 EXP-FE-VV	-	-	1270 x 1020 x 974	380W	150	
RAVEL1210 EXP-FE-VV	-	-	1270 x 1270 x 974	450W	180	
RAVEL1420 EXP-FE-VV	-	-	1270 x 1480 x 974	450W	255	
RAVEL1920 EXP-FE-VV	-	-	1270 x 1980 x 974	630W	330	
RAVEL2420 EXP-FE-VV	-	-	1270 x 2480 x 974	740W	415	
RAVEL2840 EXP-FE-VV	-	-	1270 x 2900 x 974	1300W	485	
RAVEL90 INT EXP-FE-VV	-	-	1270 x 1497 x 1497	380W	150	
Refrigerated Containers Flat Glass						
RAVEL1210 CR-FV-VV	-	3x GN1/1	1270 x 1270 x 974	450W	180	
RAVEL1420 CR-FV-VV	-	4x GN1/1	1270 x 1480 x 974	450W	255	
Ambient Flat Glass Display						
RAVEL960 N-VV	-	-	1270 x 1020 x 974	60W	112	
RAVEL1210 N-VV	-	-	1270 x 1270 x 974	70W	135	
RAVEL1420 N-VV	-	-	1270 x 1480 x 974	110W	191	
RAVEL1920 N-VV	-	-	1270 x 1980 x 974	180W	247	
RAVEL2420 N-VV	-	-	1270 x 2480 x 974	140W	311	
RAVEL2840 N-VV	-	-	1270 x 2900 x 974	220W	364	
RAVEL45 EXT N-VV	-	-	1270 x 979 x 734	50W	108	
RAVEL90 EXT N-VV	-	-	1270 x 1048 x 1048	50W	112	
Bain Marie Flat Glass						
RAVEL1210 BM-VV	-	3x GN1/1	1270 x 1270 x 974	3500W	180	
RAVEL1420 BM-VV	-	4x GN1/1	1270 x 1480 x 974	3700W	255	
Hot Plate Display Flat Glass						
RAVEL960 PQ-VV	-	-	1270 x 1020 x 974	1200W	180	
RAVEL1210 PQ-VV	-	-	1270 x 1270 x 974	1200W	210	

Note: RRP based on standard finish - choice of wood and lacquered finishes with stainless steel worktops and plinths. Other options available - POA



See page 175 for
Decor options

